

Quick Installation Guide

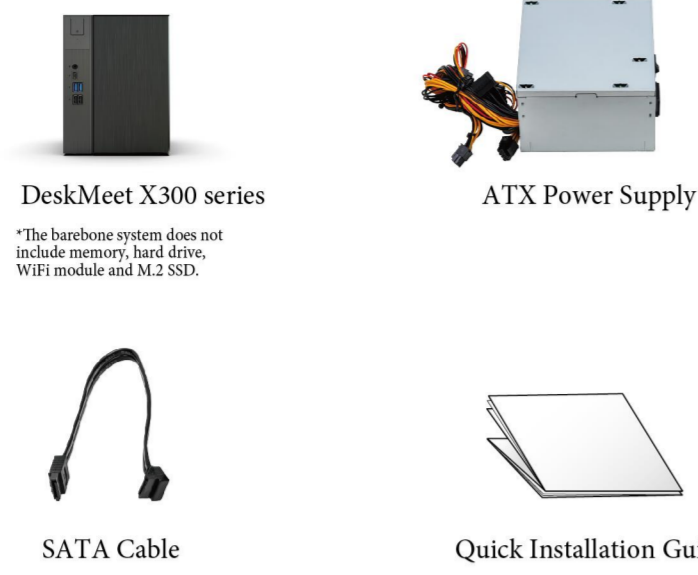
DeskMeet X300 Series



We recommend you wearing gloves while building/un-building the DeskMeet to protect your hands and the PC hardware.

Be sure to follow the procedures in this guide and put the DeskMeet together in correct order.

Package Contents



DeskMeet X300 series

*The barebone system does not include memory, hard drive, WiFi module and M.2 SSD.

ATX Power Supply



SATA Cable



Quick Installation Guide



P/N: 15G067042001AK

Front View

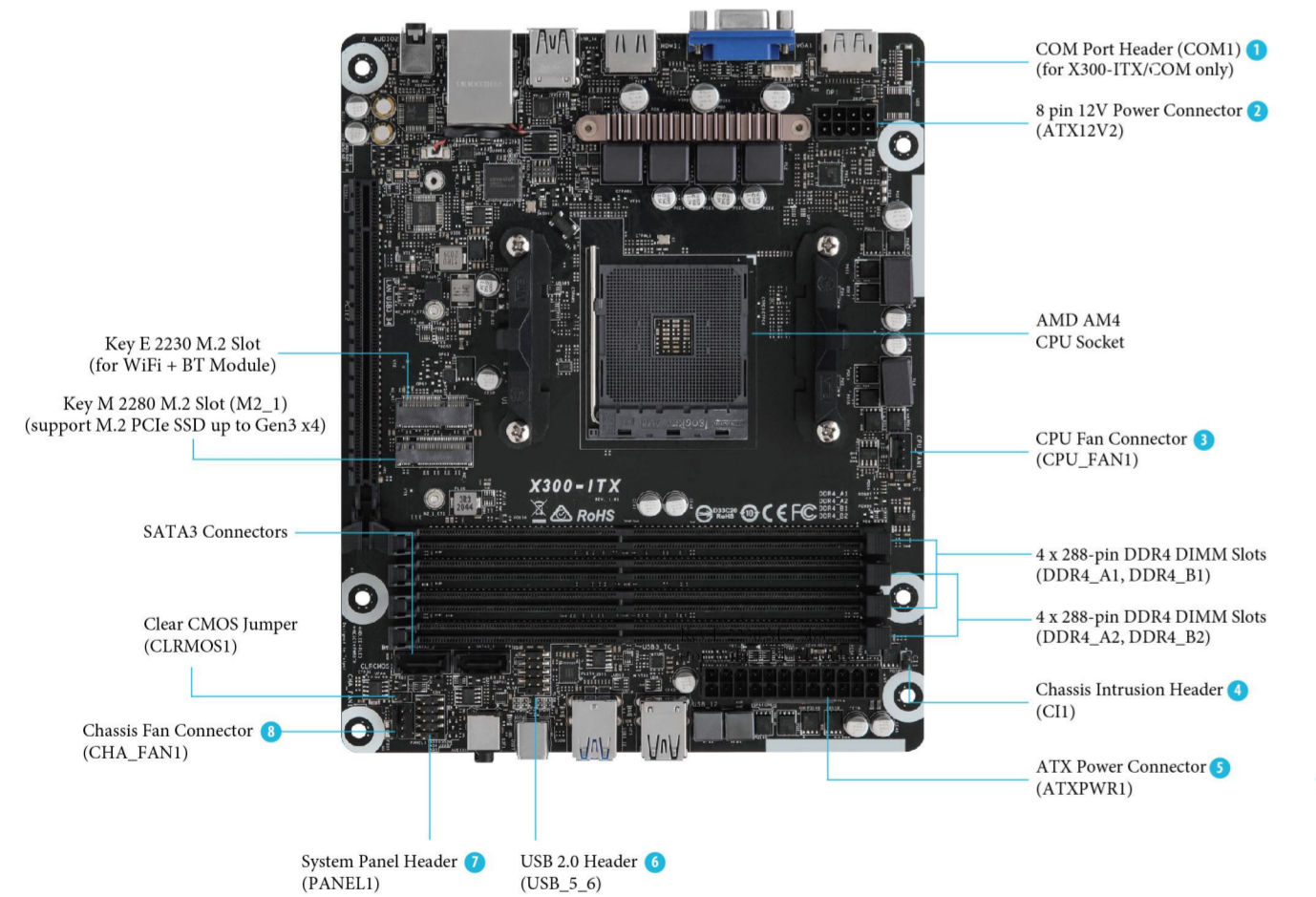
前视图 / Vorderansicht / Vue de face / Visione frontale / Vista frontal
Передний план / Vista frontal / 전면보기 / 正面図



Motherboard Layout

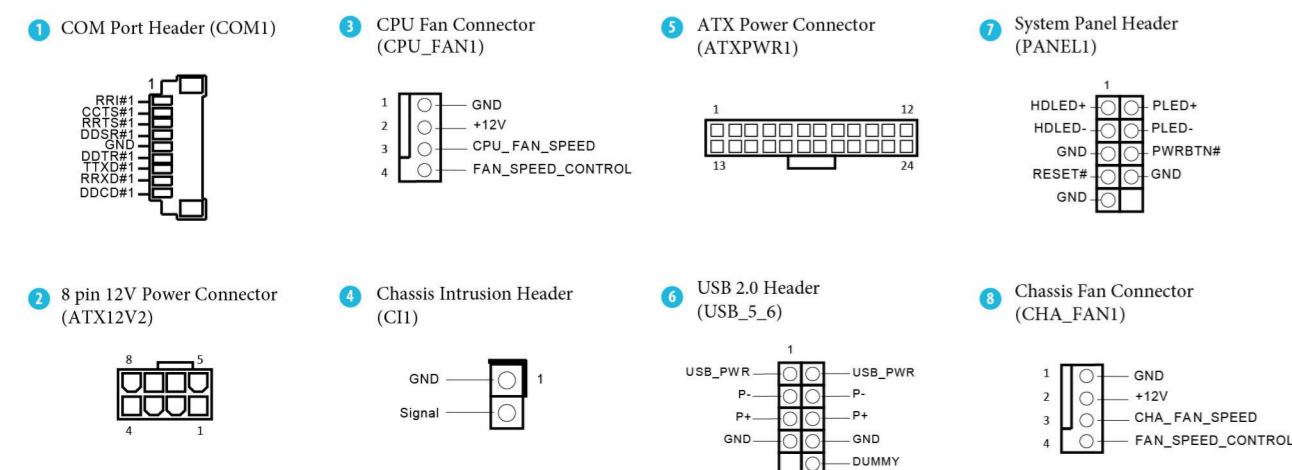
主機板佈局圖 / Motherboard Layout / Carte mère / Layout della scheda madre / tarjeta madre / Материнские платы Макет
Disposição da placa mãe / 메인보드 레이아웃 / マザーボードのレイアウト

Top View

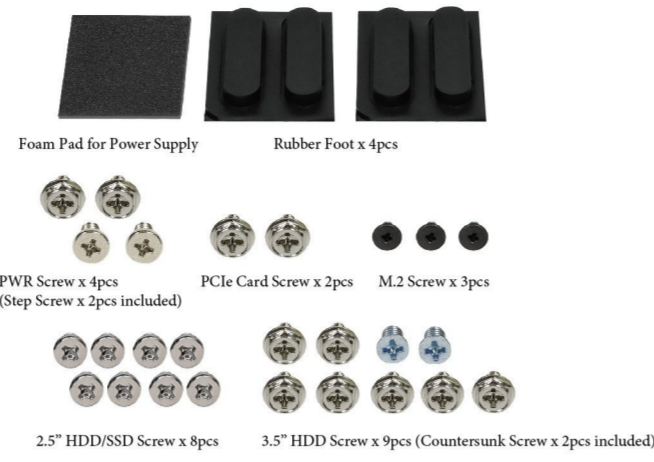


Onboard Connectors

主機板元件 / Onboard-Anschlüsse / Connecteurs à bord / Connettori a bordo / Conectores a bordo / Базовые соединения
Conectores de bordo / 메인보드 커넥터 / オンボードコネクタ



Screw Package



Foam Pad for Power Supply Rubber Foot x 4pcs
PWR Screw x 4pcs (Step Screw x 2pcs included) PCIe Card Screw x 2pcs M.2 Screw x 3pcs
2.5" HDD/SSD Screw x 8pcs 3.5" HDD Screw x 9pcs (Countersink Screw x 2pcs included)



Attach the foam pad to this position of the power supply to avoid damaging the case.

Customization Options

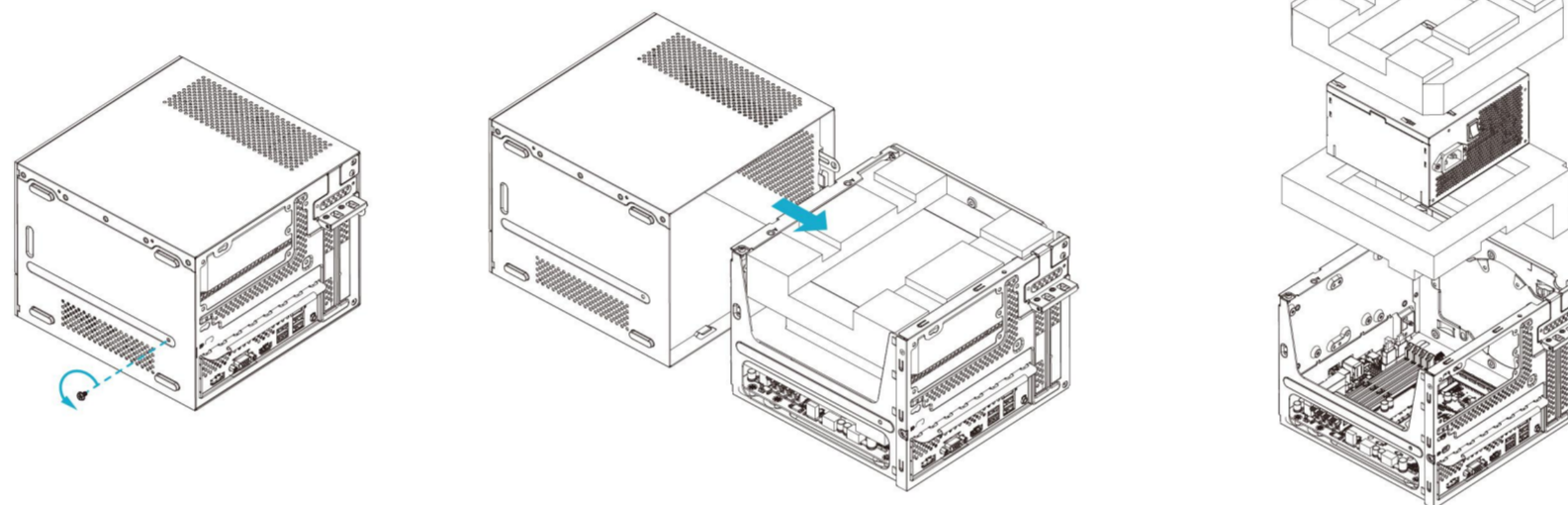
客製化選擇 / Anpassungsoptionen / Options de personnalisation / Opzioni di personalizzazione / Opciones de personalización / Настройка параметров / Opções de personalização / 사용자 지정 옵션 / カスタマイズオプション / 客制化選擇



Hardware Installation

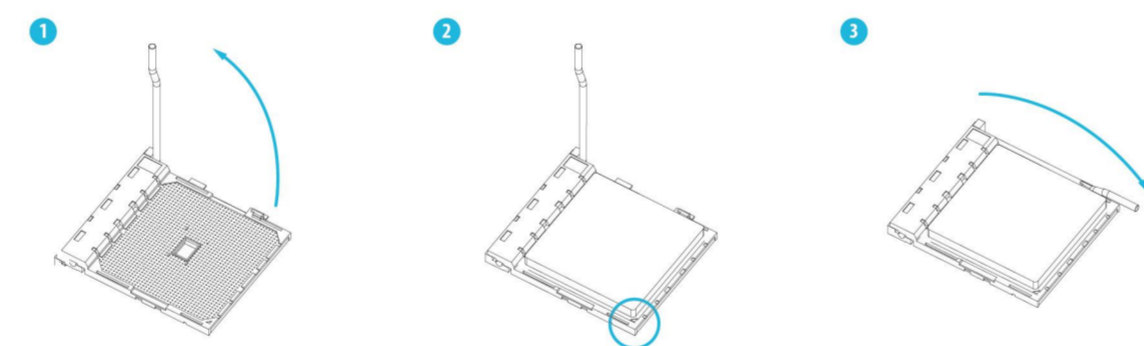
硬體安裝 / Hardware-Installation / Installation du matériel / Installazione hardware / Instalación de hardware / Установка оборудования
Instalação de hardware / 하드웨어 설치 / ハードウェアのインストール / 硬件安装

A Begin Installation



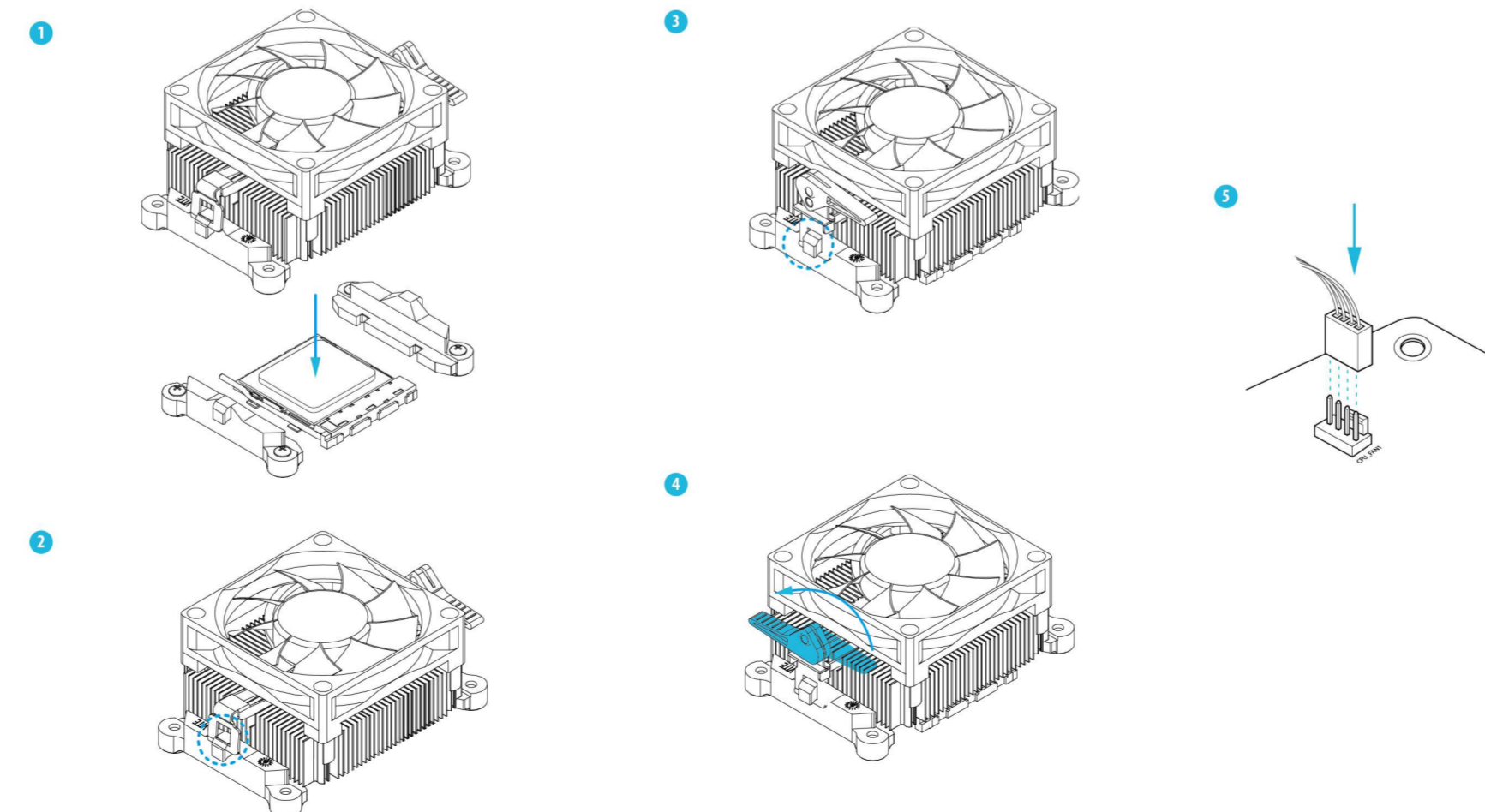
1. Remove the screw from the bottom side of the case.
2. Pull out the motherboard tray.
3. Remove the PSU and EPE Sponge.

B Installing the CPU



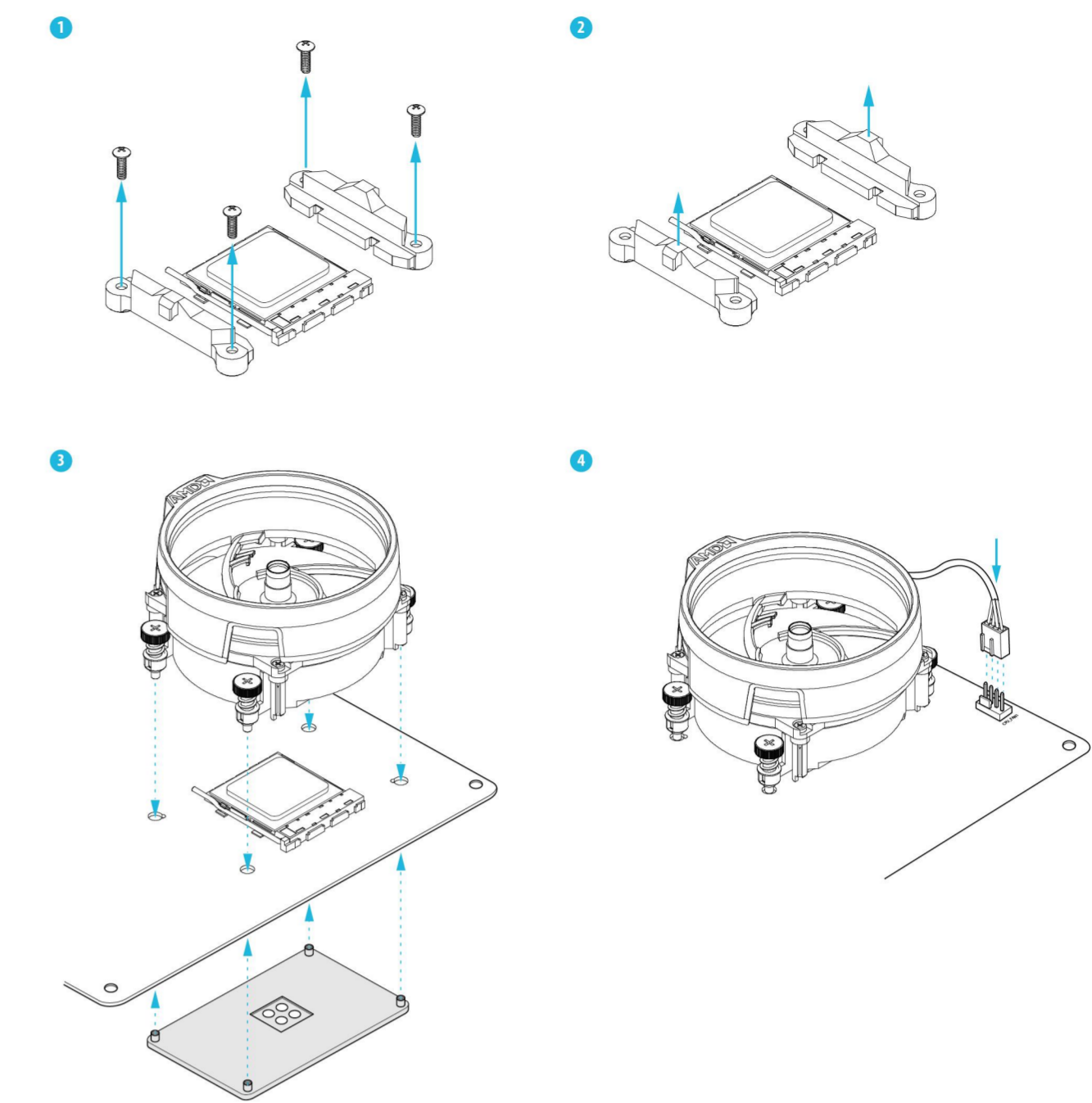
C Installing the CPU Fan and Heatsink

Installing the CPU Box Cooler - 1

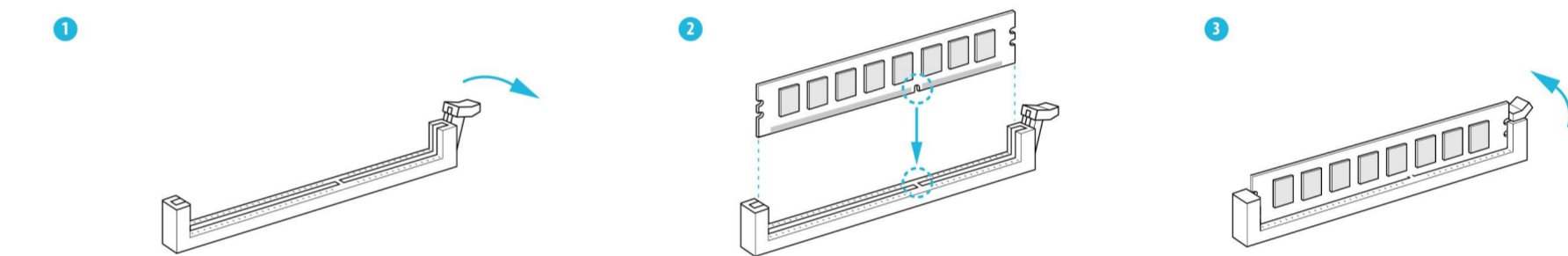


*For more details on the CPU Cooler installation, please refer to the user manual.

Installing the CPU Box Cooler - 2



D Installing Memory Modules



Memory Module X 1

A1	A2	B1	B2
			✓

Memory Module X 2

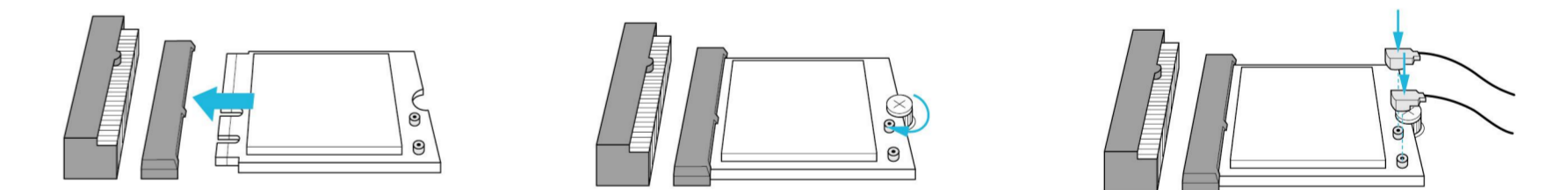
A1	A2	B1	B2
✓			✓

Memory Module X 4

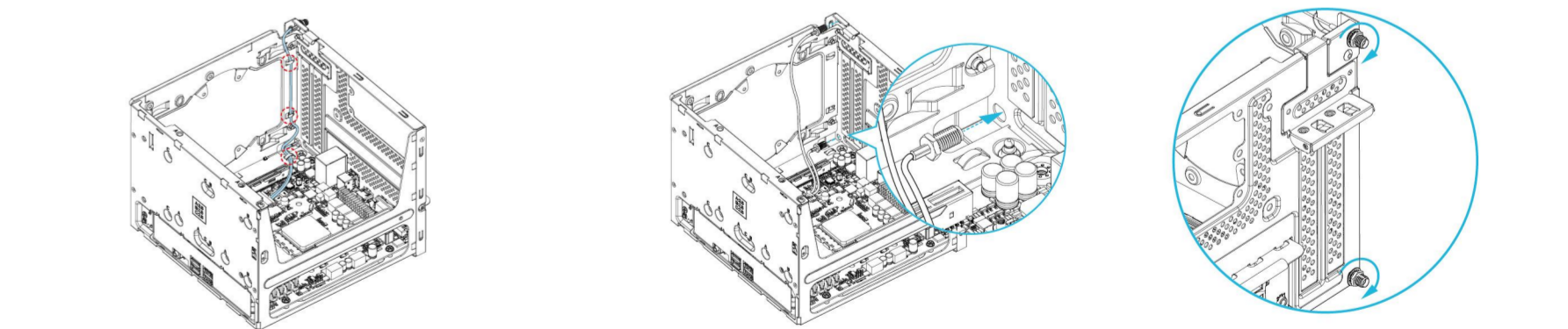
A1	A2	B1	B2
✓	✓	✓	✓

*The DeskMeet X300 series requires DDR4 DIMM.
*For dual channel configuration, you always need to install identical (the same brand, speed, size and chip-type) DDR4 DIMM pairs.

E Installing the M.2 WiFi/BT Module and WiFi Antennas

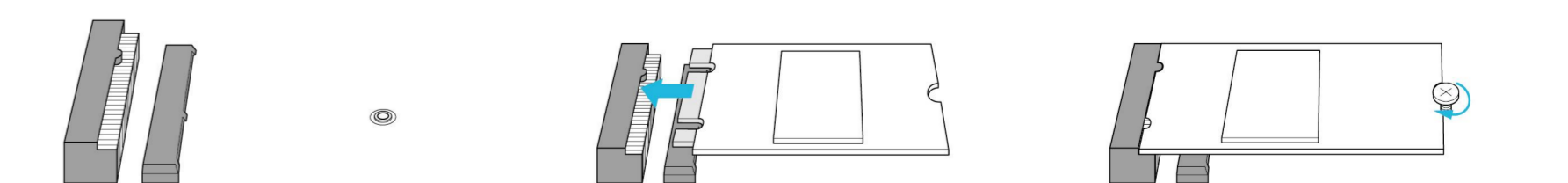


1. Insert the WiFi/BT module into the M.2 slot.
2. Tighten the screw to secure the module to the motherboard.
3. Attach the SMA Wi-Fi Antenna Cables to the module.



4. Insert the SMA Wi-Fi Antenna Cables to the designated holes. Make sure that the cable routing is organized as shown in the illustration above.
5. Insert the Wi-Fi Antenna Connectors to the antenna ports on the rear panel
6. Fasten the screw nuts to secure the antenna connectors..

F Installing the Type 2280 Ultra M.2 SSD



1. Locate the M.2 slot on the motherboard.
2. Carefully insert the M.2 SSD into the slot.
3. Tighten the screw to secure the M.2 SSD to the motherboard.

