

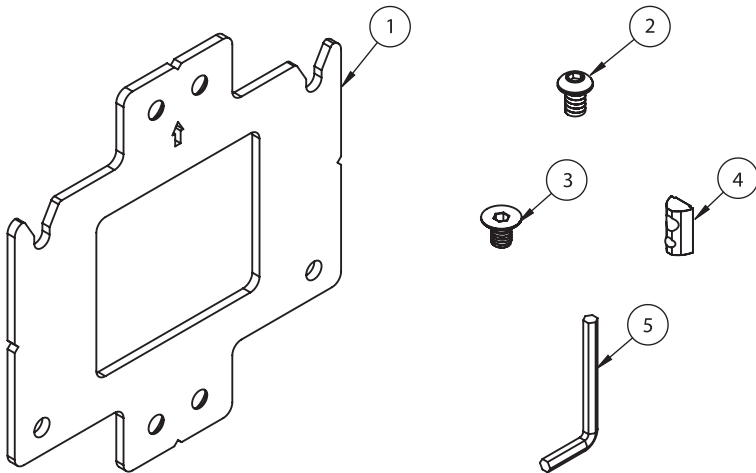
BT8381-JPS

JOINING PLATE

USE TO CONNECT A BT8390 RAIL TO A BT8381 COLUMN



PARTS LIST



ITEM	DESCRIPTION	QTY
1	JOINING PLATE	1
2	M8 x 12mm SCREW	4
3	M8 x 12mm CSK SCREW	4
2	SLIDING NUT	8
3	HEX KEY	1

INSTALLATION SAFETY INSTRUCTIONS



CAUTION: This product is intended for use only with the maximum weights indicated. Use with equipment heavier than the maximum indicated may result in instability causing possible injury.

B-Tech AV Mounts, it's distributors and dealers are not responsible for damage or injury caused by improper installation, improper use, modifications, installations over the specified weight capacity and/or failure to observe these safety instructions. In such cases, any warranty will expire.

It is recommended that this product should only be installed by a qualified professional / installer.

B-Tech AV Mounts does not claim any liability for any difficulties that may arise from the interpretation contained in these instructions. Failure to mount this product correctly may lead to serious injury and/or death.

Please check carefully to make sure there are no missing or defective parts - defective parts must never be used.

In the event of missing and/or defective parts, or technical questions, please contact an authorised dealer.

Pay careful attention to where this product is located, some locations are not suitable for installation. For indoor use only.

It is recommended that periodic inspections of the product are made as frequently as possible to ensure that safety is maintained.

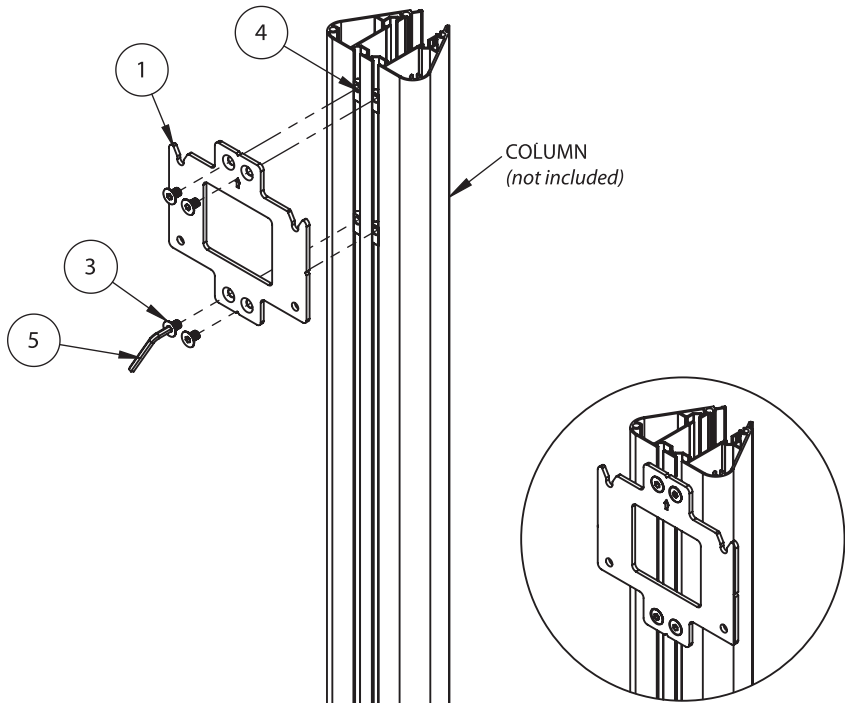
Please keep these instructions for future reference.

INSTALLATION INSTRUCTIONS

1. ATTACH JOINING PLATE TO VERTICAL COLUMN

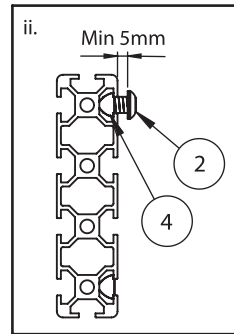
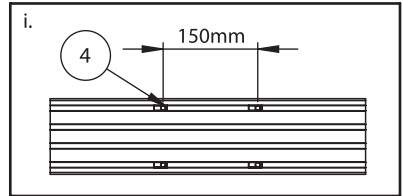
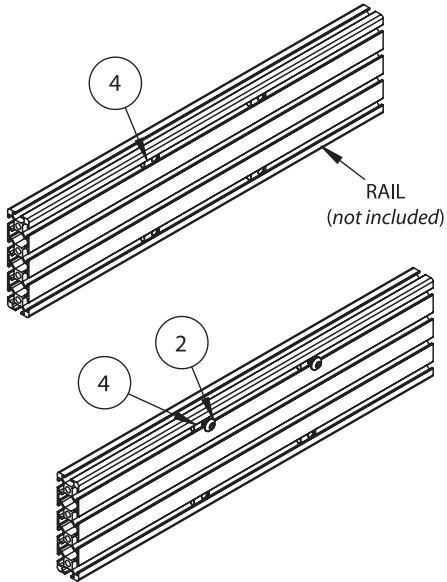
Slide 4 x *item 4* into the column (2 in each front slot).

Attach *item 1* to the column by fixing *item 3* into *item 4*.



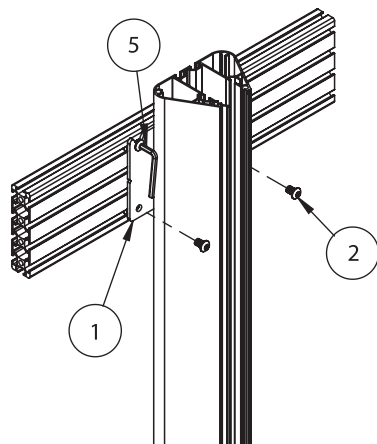
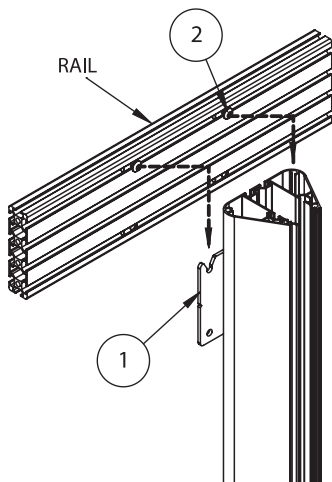
2. INSERT SLIDING NUTS AND ADD SCREWS TO RAIL

- i. Insert 2 x *item 4* into the top and bottom slots of the rail.
Set the horizontal row of nuts 150mm apart.
- ii. Screw 2 x *item 2* into the top pair of *item 4*.
Leave a minimum of a 5mm gap to allow hook on.



3. HOOK RAIL ONTO COLUMN

Hook the rail onto *item 1* and fix in place with *item 2*.





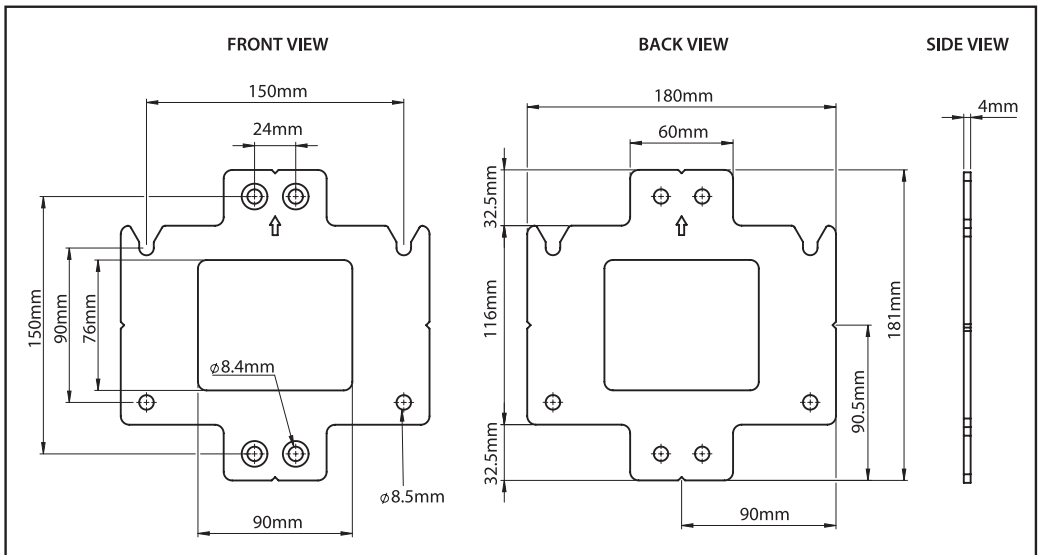
B-TECH AV MOUNTS®

BT8381-JPS

JOINING PLATE



PRODUCT DIMENSIONS



CONTACT:
info@btechavmounts.com

©2020 B-Tech International Design & Manufacturing Ltd. All rights reserved.
 B-Tech AV Mounts is a division of B-Tech International Design & Manufacturing Ltd.
 B-Tech AV Mounts and the B-Tech logo are registered trade marks.
 All other brands and product names are trademarks of their respective owners.
 Photographs are for illustrative purposes only. E&OE.

AMA-BT8381-JPS-V1-0220-57 MADE IN THE UK

