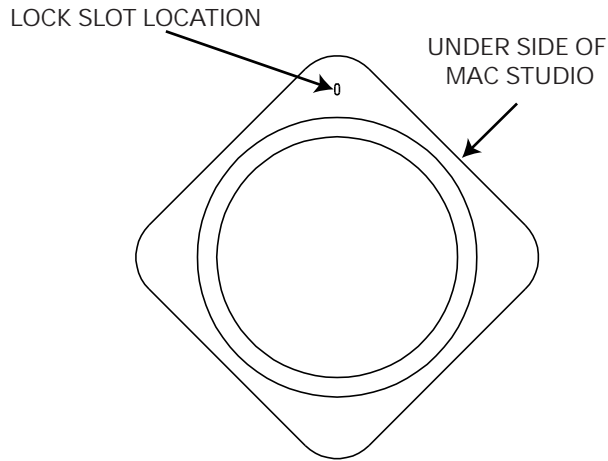
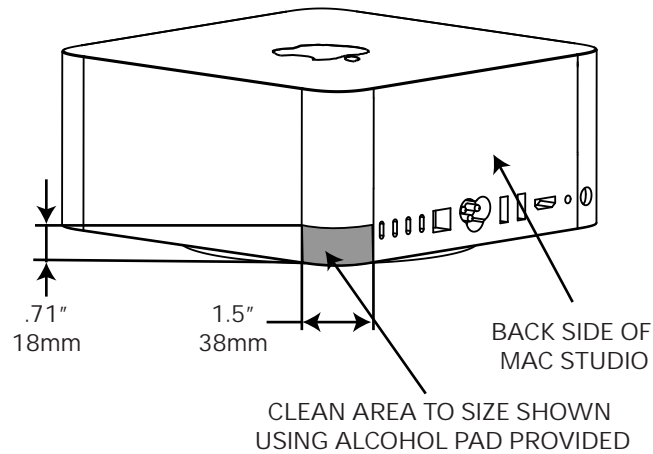


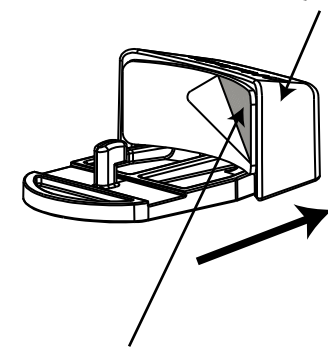
Bottom View Of Mac Studio 1



2

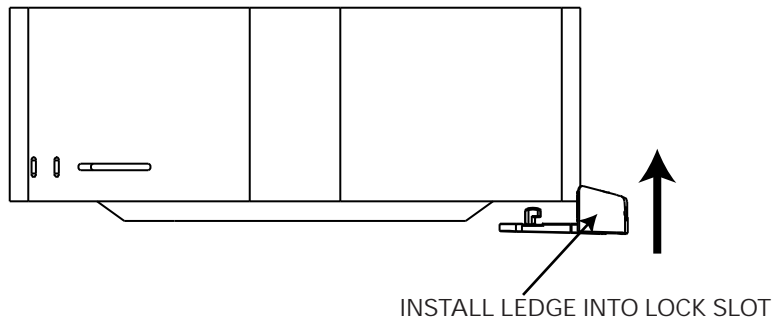


LOOSEN SCREWS USING TORX WRENCH PROVIDED
MOVE TOP SECTION FORWARD
UNTIL IT STOPS

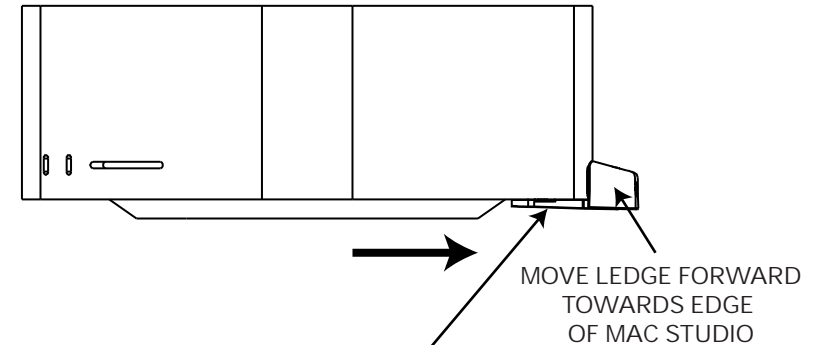


REMOVE COVER FROM TAPE ADHERED
TO TOP SECTION

3

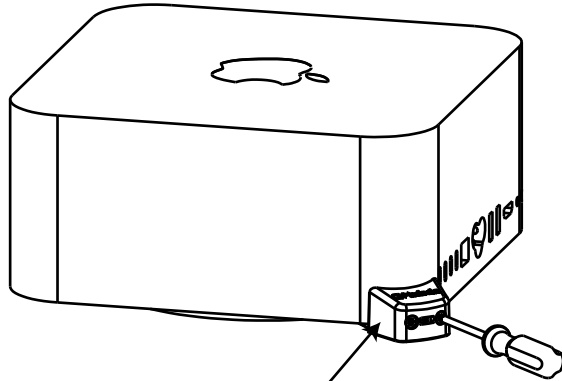


4



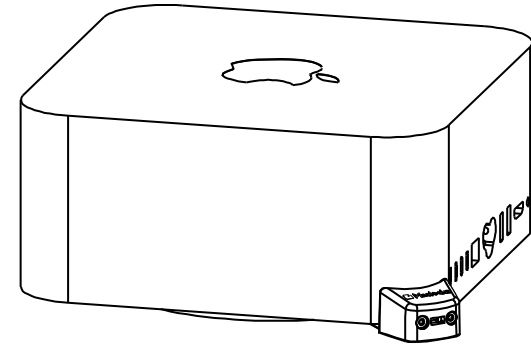
CONTINUE PUSHING ON THE BOTTOM OF THE LEDGE
WHILE PUSHING THE TOP PIECES AGAINST
THE OUTSIDE OF THE MAC STUDIO

5

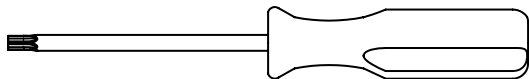


TIGHTEN SCREWS EVENLY UNTIL TIGHT
USING TORX WRENCH PROVIDED

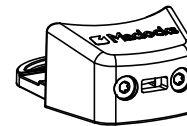
6



IN THE BOX



Torx Driver



Mac Studio Ledge



Alcohol Wipes