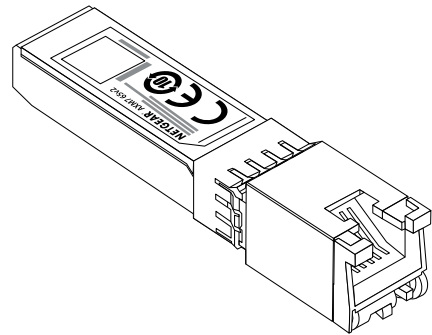


Installation Guide

1000BASE-T SFP+ Module

Model AXM765v2



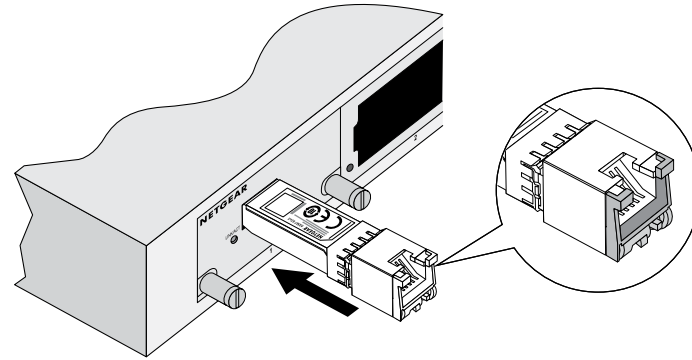
The AXM765v2 SFP+ module is a low-power, high-performance, 1000BASE-T transceiver. The AXM765v2 delivers 10 Gb network connectivity with cabling up to 262.5 feet (80 meters) of Category 6a (Cat 6a) or Cat 7 Ethernet cable.

The module is compatible with the IEEE 802.3az/an standard.

The switch automatically detects the module, so you can simply plug it into an available module slot. You can insert or remove the module while the switch is operational.

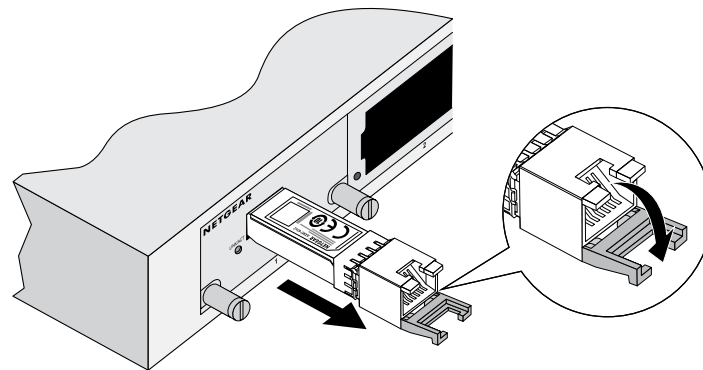
Install the Module

Insert the module firmly into a slot that supports the SFP+ interface. Make sure that the cable you use is a Category 5e (Cat 5e) or a higher-rated Ethernet cable (Cat 6, Cat 6a, or Cat 7). Supports links up to 80m using Cat 6a/7 Cable.



Remove the Module

1. Lower the latch on the front of the module.
2. Grasp the sides of the module and pull it straight forward out of the slot.



Technical Specifications	
Standards	IEEE 802.3an, IEEE 802.3az, SFF-8431 and SFF-8432 MSA-compliant
Dimensions (H x W x D)	0.54 in. x 0.54 in. x 2.71 in. (13.8 mm x 13.7 mm x 68.8 mm)
Weight	0.5 oz (14.17 g)
Operating temperature	32-158°F (0-70°C)
Operative relative humidity	85% at 77°F (25°C)
Operating distance	10GBASE-T up to 262.5 ft (80 m) with Cat 6a (or higher rated) Ethernet cable
Connectors	RJ45
Power consumption	2.5W
Safety certification	IEC/EN 60950-1, UL60950
Environmental compliance	RoHS

Support and Community

Visit [netgear.com/support](https://www.netgear.com/support) to get your questions answered and access the latest downloads.

You can also check out our NETGEAR Community for helpful advice at community.netgear.com.

Regulatory and Legal

Si ce produit est vendu au Canada, vous pouvez accéder à ce document en français canadien à <https://www.netgear.com/support/download/>.

(If this product is sold in Canada, you can access this document in Canadian French at <https://www.netgear.com/support/download/>.)

For regulatory compliance information including the EU Declaration of Conformity, visit <https://www.netgear.com/about/regulatory/>.

See the regulatory compliance document before connecting the power supply.

For NETGEAR's Privacy Policy, visit <https://www.netgear.com/about/privacy-policy>.

By using this device, you are agreeing to NETGEAR's Terms and Conditions at <https://www.netgear.com/about/terms-and-conditions>. If you do not agree, return the device to your place of purchase within your return period.



201-29573-01

January 2022

© NETGEAR, Inc., NETGEAR and the NETGEAR Logo are trademarks of NETGEAR, Inc. Any non-NETGEAR trademarks are used for reference purposes only.

NETGEAR, Inc.
350 East Plumeria Drive
San Jose, CA 95134, USA

NETGEAR INTERNATIONAL LTD
Floor 1, Building 3
University Technology Centre
Curraheen Road, Cork,
T12EF21, Ireland