

ACC116



Max Load
10lb (4.5kg)

SMARTMOUNT.

Metal Shelf

FOR PEERLESS-AV® MICROSOFT® SURFACE™
HUB 2S/2X CART (SR560-HUB2)

The SmartMount® Metal Shelf accessory is designed to attach to the newly designed SmartMount® Microsoft® Surface™ 2S/2X Mobile Cart. The shelf accessory provides a secure surface to place laptops or other audio visual components, and can be easily positioned anywhere along the vertical column, to support the deployment of your Microsoft® Surface™ Hub.



HEIGHT ADJUSTABLE

Easily position the shelf anywhere along the vertical column of the SR560-HUB2 cart

- Heavy gauge cold rolled steel construction
- Scratch resistant textured white powder coat finish
- Vertical height adjustability
- Attaches directly to post of the SmartMount® SR560-HUB2 Cart



For use with Peerless-AV® SR560-HUB2

RoHS
COMPLIANT

TAA
COMPLIANT

Please visit peerless-av.com/en-us/patents for patent information.

✉ info@peerless-av.com

🌐 peerless-av.com

peerless-AV®
Driving Technology Through Innovation

| | |
|--------|--|
| ACC116 | SmartMount® Metal Shelf for Peerless-AV® Microsoft® Surface™ Hub 2S/2X Cart (SR560-HUB2) |
|--------|--|

Product Specifications

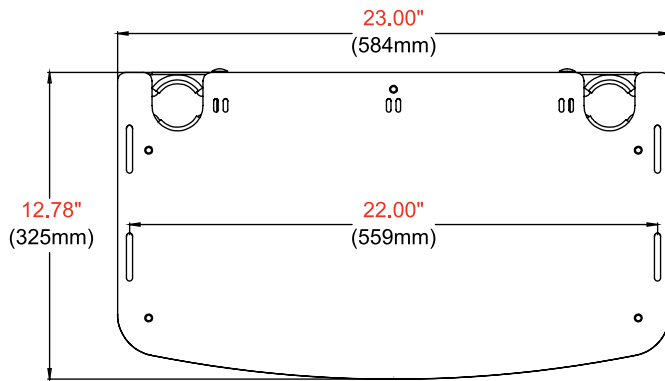
| | DIMENSIONS (W X H X D) | PRODUCT WEIGHT | LOAD CAPACITY | FINISH | AVAILABLE COLORS |
|--------|---|----------------|------------------------|----------------------|------------------|
| ACC116 | 23.00" x 12.78" x 2.32" (584 x 325 x 59mm) | 10.2lb (4.6kg) | 10lb (4.5kg) per shelf | Textured Powder Coat | White |

Package Specifications

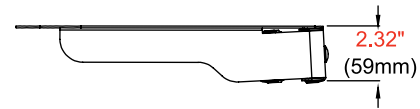
| | PACKAGE SIZE (W x H x D) | PACKAGE SHIP WEIGHT | PACKAGE UPC CODE | PACKAGE CONTENTS | UNITS IN PACKAGE |
|--------|---|---------------------|------------------|-------------------------------------|------------------|
| ACC116 | 24.25" x 14.25" x 4.5" (616 x 362 x 114mm) | 13.0lb (5.9kg) | 735029339885 | Metal Shelf and Attachment Hardware | 1 |

Compatible with: SR560-HUB2: SmartMount® Cart for the 50.5" Microsoft® Surface™ Hub 2S/2X

All dimensions = inch (mm)



TOP VIEW



SIDE VIEW

Architect Specifications

The SmartMount® Metal Shelf shall be a Peerless-AV model ACC116 and shall be located where indicated on the plans. Assembly and installation shall be done according to instructions provided by the manufacturer.

Visit peerless-av.com to see the complete line of AV solutions from Peerless-AV, including outdoor displays, kiosks, display mounts, projector mounts, carts/stands, and a full assortment of accessories.

Peerless-AV
2300 White Oak Circle
Aurora, IL 60502 USA
(800) 865-2112
(630) 375-5100
Fax: (800) 359-6500

Peerless-AV EMEA
Unit 3 Watford Interchange
Colonial Way, Watford
Herts, WD24 4WP
United Kingdom
+44 (0) 1923 200100
Fax: +44 (0) 1923 200101

Peerless-AV Latin America
Av. de las Industrias 413
Parque Industrial Escobedo
General Escobedo, N.L.,
México, 66062
+52 (81) 8384-8300
Fax: +52 (81) 8384-8360

