



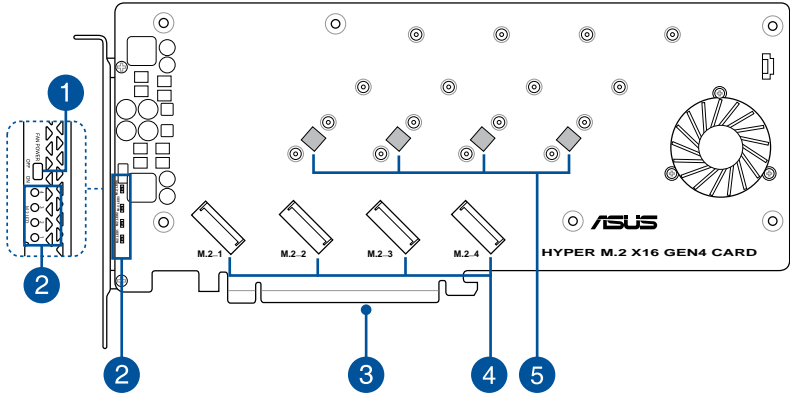
ASUS HYPER M.2 X16 Gen 4 Card

Quick Start Guide

E16246
First Edition
December 2019

1 5060- OGR20000

Parts and features



1 **FAN Power Switch**
This switch allows you to turn the fan on or off.

2 **M.2 Access LEDs**
These LEDs will blink to indicate that data are being read/written from/into the M.2 storage devices.

3 **PCI Express interface**
This is the interface for the ASUS HYPER M.2 X16 GEN 4 CARD to be installed in your motherboard's PCI Express slot. Ensure to install the ASUS HYPER M.2 X16 GEN 4 CARD into a PCI Express 4.0/3.0 slot for optimum results.

4 **PCIe M.2 storage device connectors**
These connectors allow you to install PCIe M.2 storage devices.

5 **Pre-installed M.2 rubber pads**
These 1 mm rubber pads are installed on the ASUS HYPER M.2 X16 GEN 4 CARD by default and are compatible with double sided M.2 storage devices.

Specifications summary

Interface	PCI Express 4.0 x16 interface
External Connectors	4 x M.2 slots (Key M), type 2242/2260/2280/22110 (supports PCIe 4.0)* * Supports PCIe M.2 storage devices only.
LED and Switch	1 x M.2 FAN Power Switch 4 x M.2 Instruction LEDs
Thermal Solution	Active fan with heatsink
RAID support	AMD TRX40 / X570 Series Motherboard models with PCIe Gen 4 support. Supports PCIe Gen 3 bandwidth for other RAID on CPU models.
Dimension (L x W x H)	27 x 12.2 x 1.5 cm
Compatible Models	Visit to www.asus.com for the latest compatible model lists.

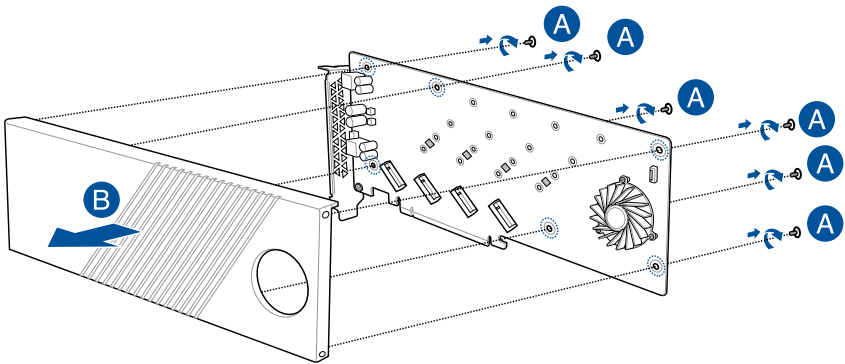


- Specifications are subject to change without notice. Please refer to the ASUS website for the latest specifications.
- M.2 storage devices are not included in the package.

Getting started

To install M.2 storage devices onto your ASUS HYPER M.2 X16 GEN 4 CARD:

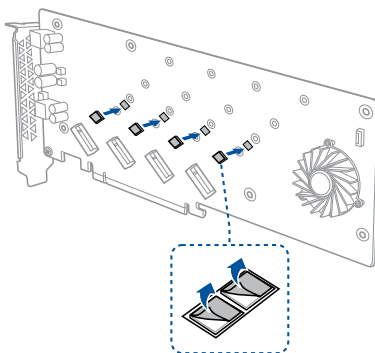
1. Remove the six (6) cover screws that secure the cover to the ASUS HYPER M.2 X16 GEN 4 CARD, then remove the cover and set it aside.



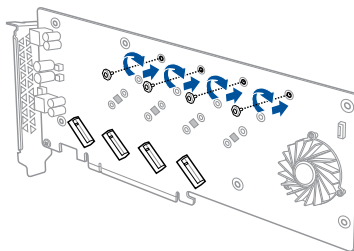
- (optional) If you are installing a single sided M.2 storage device, ensure to peel off the bundled M.2 rubber pads, and stick them on top of the pre-installed M.2 rubber pads on the ASUS HYPER M.2 X16 GEN 4 CARD.



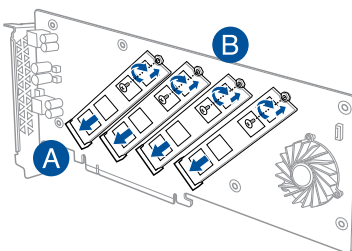
DO NOT install the bundled M.2 rubber pads when installing a double-sided M.2 storage device. The 1mm rubber pad installed by default is compatible with double sided M.2 storage devices.



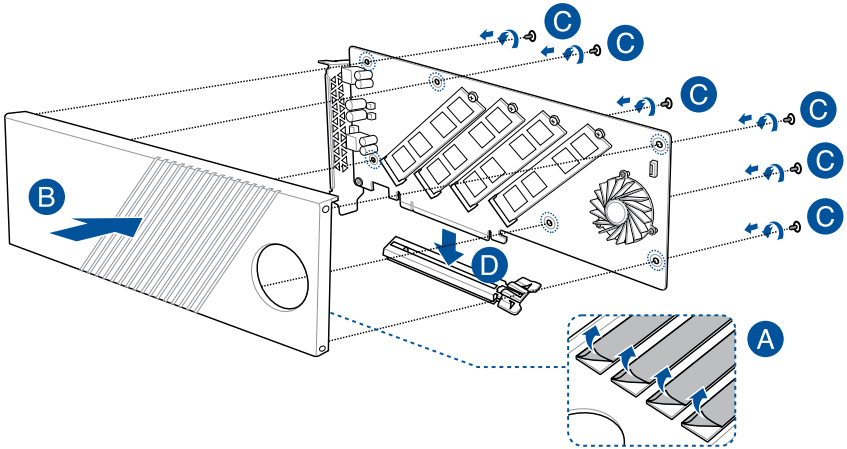
- Secure the stand screws onto the ASUS HYPER M.2 X16 GEN 4 CARD.



- Insert the M.2 storage devices into the PCIe M.2 storage device connectors (A), then secure the M.2 storage devices with the bundled screws (B).



5. Peel the plastic films off the thermal pads, secure the cover to the ASUS HYPHER M.2 X16 GEN 4 CARD with the cover screws that you removed earlier, then install the ASUS HYPHER M.2 X16 GEN 4 CARD into a PCI Express 4.0/3.0 slot.



6. Enter the BIOS Setup during POST to configure your BIOS settings.
 - For Intel® X299 Series motherboards, go to **Advanced > CPU Storage Configuration**, then set the PCIe slot(s) that you have installed the Hyper M.2 x16 card(s) to the following:
 - **[Hyper M.2 X16(VROC)]** to create a VROC RAID configuration using only the PCIe slots set to this option.
 - **[Hyper M.2 X16(DATA)]** to support up to 4 x M.2 storage devices installed on the Hyper M.2 X16 expansion card without VROC support.
 - For other Intel® Series motherboards, go to **Advanced > Onboard Devices Configuration**, and set Hyper M.2X16 to **[Enabled]**.
 - For AMD motherboards, go to **Advanced > Onboard Devices Configuration**, then set the PCIe slot(s) that you have installed the Hyper M.2 x16 card(s) to **[PCIe RAID Mode]**.



For more information on RAID configurations on the installed M.2 storage devices, please refer to the RAID Configuration Guide by scanning the QR code.



Appendix

Notices

FCC Compliance Information

Responsible Party: Asus Computer International

Address: 48720 Kato Rd., Fremont, CA 94538, USA

Phone / Fax No: (510)739-3777 / (510)608-4555

This device complies with part 15 of the FCC Rules. Operation is subject to the following two conditions: (1) This device may not cause harmful interference, and (2) this device must accept any interference received, including interference that may cause undesired operation.

This equipment has been tested and found to comply with the limits for a Class B digital device, pursuant to part 15 of the FCC Rules. These limits are designed to provide reasonable protection against harmful interference in a residential installation. This equipment generates, uses and can radiate radio frequency energy and, if not installed and used in accordance with the instructions, may cause harmful interference to radio communications. However, there is no guarantee that interference will not occur in a particular installation. If this equipment does cause harmful interference to radio or television reception, which can be determined by turning the equipment off and on, the user is encouraged to try to correct the interference by one or more of the following measures:

- Reorient or relocate the receiving antenna.
- Increase the separation between the equipment and receiver.
- Connect the equipment into an outlet on a circuit different from that to which the receiver is connected.
- Consult the dealer or an experienced radio/TV technician for help.

Compliance Statement of Innovation, Science and Economic Development Canada (ISED)

This device complies with Innovation, Science and Economic Development Canada licence exempt RSS standard(s). Operation is subject to the following two conditions: (1) this device may not cause interference, and (2) this device must accept any interference, including interference that may cause undesired operation of the device.

CAN ICES-3(B)/NMB-3(B)

Déclaration de conformité de Innovation, Sciences et Développement économique Canada (ISED)

Le présent appareil est conforme aux CNR d'Innovation, Sciences et Développement économique Canada applicables aux appareils radio exempts de licence. L'exploitation est autorisée aux deux conditions suivantes : (1) l'appareil ne doit pas produire de brouillage, et (2) l'utilisateur de l'appareil doit accepter tout brouillage radioélectrique subi, même si le brouillage est susceptible d'en compromettre le fonctionnement.

CAN ICES-3(B)/NMB-3(B)

VCCI: Japan Compliance Statement

Class B ITE

この装置は、クラスB情報技術装置です。この装置は、家庭環境で使用することを目的としていますが、この装置がラジオやテレビジョン受信機に近接して使用されると、受信障害を引き起こすことがあります。

取扱説明書に従って正しい取り扱いをして下さい。

VCCI-B

KC: Korea Warning Statement

B급 기기 (가정용 방송통신기자재)

이 기기는 가정용(B급) 전자파적합기기로서 주로 가정에서 사용하는 것을 목적으로 하며, 모든 지역에서 사용할 수 있습니다.

Declaration of compliance for product environmental regulation

ASUS follows the green design concept to design and manufacture our products, and makes sure that each stage of the product life cycle of ASUS product is in line with global environmental regulations. In addition, ASUS disclose the relevant information based on regulation requirements.

Please refer to <http://csr.asus.com/Compliance.htm> for information disclosure based on regulation requirements ASUS is complied with:

EU REACH and Article 33

Complying with the REACH (Registration, Evaluation, Authorisation, and Restriction of Chemicals) regulatory framework, we published the chemical substances in our products at ASUS REACH website at <http://csr.asus.com/english/REACH.htm>.

EU RoHS

This product complies with the EU RoHS Directive. For more details, see <http://csr.asus.com/english/article.aspx?id=35>

India RoHS

This product complies with the "India E-Waste (Management) Rules, 2016" and prohibits use of lead, mercury, hexavalent chromium, polybrominated biphenyls (PBBs) and polybrominated diphenyl ethers (PBDEs) in concentrations exceeding 0.1% by weight in homogenous materials and 0.01% by weight in homogenous materials for cadmium, except for the exemptions listed in Schedule II of the Rule.

Vietnam RoHS

ASUS products sold in Vietnam, on or after September 23, 2011, meet the requirements of the Vietnam Circular 30/2011/TT-BCT.

Các sản phẩm ASUS bán tại Việt Nam, vào ngày 23 tháng 9 năm 2011 trở về sau, đều phải đáp ứng các yêu cầu của Thông tư 30/2011/TT-BCT của Việt Nam.

Turkey RoHS

AEEE Yönetmeliğine Uygundur

ASUS Recycling/Takeback Services

ASUS recycling and takeback programs come from our commitment to the highest standards for protecting our environment. We believe in providing solutions for you to be able to responsibly recycle our products, batteries, other components as well as the packaging materials. Please go to <http://csr.asus.com/english/Takeback.htm> for detailed recycling information in different regions.



DO NOT throw the motherboard in municipal waste. This product has been designed to enable proper reuse of parts and recycling. This symbol of the crossed out wheeled bin indicates that the product (electrical and electronic equipment) should not be placed in municipal waste. Check local regulations for disposal of electronic products.



DO NOT throw the mercury-containing button cell battery in municipal waste. This symbol of the crossed out wheeled bin indicates that the battery should not be placed in municipal waste.

Regional notice for California



WARNING

Cancer and Reproductive Harm -
www.P65Warnings.ca.gov

English ASUSTeK Computer Inc. hereby declares that this device is in compliance with the essential requirements and other relevant provisions of related Directives. Full text of EU declaration of conformity is available at: www.asus.com/support

Français ASUSTeK Computer Inc. déclare par la présente que cet appareil est conforme aux critères essentiels et autres clauses pertinentes des directives concernées. La déclaration de conformité de l'UE peut être téléchargée à partir du site Internet suivant : www.asus.com/support

Deutsch ASUSTeK Computer Inc. erklärt hiermit, dass dieses Gerät mit den wesentlichen Anforderungen und anderen relevanten Bestimmungen der zugehörigen Richtlinien übereinstimmt. Der gesamte Text der EU-Konformitätserklärung ist verfügbar unter: www.asus.com/support

Italiano ASUSTeK Computer Inc. con la presente dichiara che questo dispositivo è conforme ai requisiti essenziali e alle altre disposizioni pertinenti con le direttive correlate. Il testo completo della dichiarazione di conformità UE è disponibile all'indirizzo: www.asus.com/support

Русский Компания ASUS заявляет, что это устройство соответствует основным требованиям и другим соответствующим условиям соответствующих директив. Подробную информацию, локализиста, смотрите на www.asus.com/support

Български С настоящото ASUSTeK Computer Inc. декларира, че това устройство е в съответствие със съществените изисквания и другите приложими постановления на свързаните директиви. Пълният текст на декларацията за съответствие на ЕС е достъпна на адрес: www.asus.com/support

Hrvatski ASUSTeK Computer Inc. ovim izjavljuje da je ovaj uređaj u skladu s bitnim zahtjevima i ostalim odgovarajućim odredbama vezanih direktiva. Cijeli tekst EU izjave o skladnosti dostupan je na: www.asus.com/support

Estina Spole nost ASUSTeK Computer Inc. timto prohlašuje, že toto za izeni spl uže základni požadavky a další p íslusná ustanovení souvisejících sm ěnic. Plněn ž ní prohlašeni o shod EU je k dispozici na adrese: www.asus.com/support

Dansk ASUSTeK Computer Inc. erklærer hermed, at denne enhed er i overensstemmelse med hovedkravene og andre relevante bestemmelser i de relaterede direktiver. Hele EU-overensstemmelseserklæringen kan findes på: www.asus.com/support

Nederlands ASUSTeK Computer Inc. verklaart hierbij dat dit apparaat voldoet aan de essentiële vereisten en andere relevante bepalingen van de verwante richtlijnen. De volledige tekst van de EU-verklaring van conformiteit is beschikbaar op: www.asus.com/support

Eesti Käesolevaga kinnitab ASUSTeK Computer Inc., et see seade vastab asjakohaste direktiivide olulistele nõuetele ja teistele asjassepuutuvatele sätetele. EL vastavusdeklaratsiooni täielik tekst on saadaval järgmisel aadressil: www.asus.com/support

Suomi ASUSTeK Computer Inc. ilmoittaa täten, että tämä laite on asiaankuuluvien direktiivien olennaisten vaatimusten ja muiden tätä koskevien säädösten mukainen. EU-yhdenmukaisuusilmoituksen koko teksti on luettavissa osoitteessa: www.asus.com/support

ASUSTeK Computer Inc.
: www.asus.com/support

Magyar Az ASUSTeK Computer Inc. ezennel kijelenti, hogy ez az eszköz megfelel a kapcsolódó irányelvek lényeges követelményeinek és egyéb vonatkozó rendelkezéseinek. Az EU megfelel ségi nyilatkozat teljes szövege innen letölthető : www.asus.com/support

Latviski ASUSTeK Computer Inc. ar šo pazi ņ o, ka š ier ce atbilst saist to Direkt vū b tiskaj m pras b m un citiem citiem saistošajiem nosac ņumiem. Pilns ES atbilst bas pazi ņ ojuma teksts pieejams šeit: www.asus.com/support

Lietuvi „ASUSTeK Computer Inc.“ šiuo tvirtina, kad šis renginys atitinka pagrindinius reikalavimus ir kitas svarbias susijusi direktyv ņuostas. Vis ES atitikties deklaracijos tekst galima rasti: www.asus.com/support

Norsk ASUSTeK Computer Inc. erklærer herved at denne enheten er i samsvar med hovedsaklige krav og andre relevante forskrifter i relaterte direktiver. Fullstendig tekst for EU-samsvarserklæringen finnes på: www.asus.com/support

Polski Firma ASUSTeK Computer Inc. niniejszym o wiadcze e urz dzenie to jest zgodne z zasadniczymi wymogami i innymi wla ciwymi postanowieniami powi zanych dyrektyw. Pełny tekst deklaracji zgodno ci UE jest dost pny pod adresem: www.asus.com/support

Portugués A ASUSTeK Computer Inc. declara que este dispositivo está em conformidade com os requisitos essenciais e outras disposições relevantes das Diretivas relacionadas. Texto integral da declaração da UE disponível em: www.asus.com/support

Român ASUSTeK Computer Inc. declar c acest dispozitiv se conformeaz cerin elor esen iale i altor prevederi relevante ale directivelor conexe. Textul complet al declara iei de conformitate a Uniunii Europene se g se te la: www.asus.com/support

Srpski ASUSTeK Computer Inc. ovim izjavljuje da je ovaj uređaj u skladnosti sa osnovnim zahtjevima i drugim relevantnim odredbama povezanih Direktiva. Pun tekst EU deklaracije o usaglasnosti je dostupan da adres: www.asus.com/support

Slovensky Spolo nos ASUSTeK Computer Inc. týmto vyhlasuje, že toto zariadenie vyhovuje základným požiadavkám a ostatým príslušným ustanoveniam príslušných smerníc. Celý text vyhlásenia o zhode pre štáty EU je dostupný na adrese: www.asus.com/support

Slovens ĩna ASUSTeK Computer Inc. izjavlja, da je ta naprava skladna z bistvenimi zahtevami in drugimi ustreznimi dolo bami povezanih direktiv. Celotno besedilo EU-izjave o skladnosti je na voljo na spletnem mestu: www.asus.com/support

Español Por la presente, ASUSTeK Computer Inc. declara que este dispositivo cumple los requisitos básicos y otras disposiciones pertinentes de las directivas relacionadas. El texto completo de la declaración de la UE de conformidad está disponible en: www.asus.com/support

Svenska ASUSTeK Computer Inc. förklarar härmed att denna enhet överensstämmer med de grundläggande kraven och andra relevanta föreskrifter i relaterade direktiv. Fulltext av EU-forsäkran om överensstämmelse finns på www.asus.com/support

Українська ASUSTeK Computer Inc. заявляє, що цей пристрій відповідає основним вимогам та іншим відповідним положенням відповідних Директив. Повний текст декларації відповідності стандартам ЄС доступний на: www.asus.com/support

Türkçe ASUSTeK Computer Inc., bu aygıtın temel gereksinimlerle ve ili kili Yönergeleerin di er ilgili ko ullarıyla uyumlu oldu unu beyan eder. AB uygunkluk bildiriminin tam metni u adrese bulunabilir: www.asus.com/support

Bosanski ASUSTeK Computer Inc. ovim izjavljuje da je ovaj uređaj uskla en sa bitnim zahtjevima i ostalim odgovarajućim odredbama vezanih direktiva. Cijeli tekst EU izjave o uskla enosti dostupan je na: www.asus.com/support

ASUS contact information

ASUSTeK COMPUTER INC.

Address 4F, No. 150, Li-Te Road, Peitou, Taipei 112, Taiwan
Telephone +886-2-2894-3447
Fax +886-2-2890-7798
Web site www.asus.com

Technical Support

Telephone +86-21-38429911
Fax +86-21-5866-8722, ext. 9101#
Online support <http://qr.asus.com/techserv>

ASUS COMPUTER INTERNATIONAL (America)

Address 48720 Kato Rd., Fremont, CA 94538, USA
Telephone +1-510-739-3777
Fax +1-510-608-4555
Web site <http://www.asus.com/us/>

Technical Support

Support fax +1-812-284-0883
Telephone +1-812-282-2787
Online support <http://qr.asus.com/techserv>

ASUS COMPUTER GmbH (Germany and Austria)

Address Harkort Str. 21-23, 40880 Ratingen, Germany
Fax +49-2102-959931
Web site <http://www.asus.com/de>
Online contact <http://eu-rma.asus.com/sales>

Technical Support

Telephone +49-2102-5789555
Support Fax +49-2102-959911
Online support <http://qr.asus.com/techserv>