

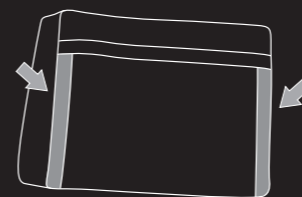
## A Package Contents



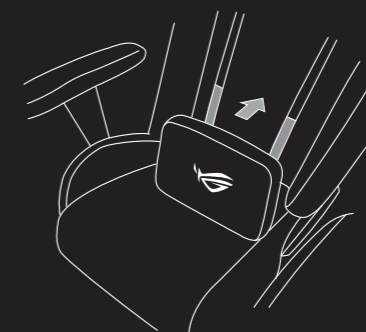
1. Backrest	5. Wheels	9. Hydraulic lift cylinder
2. Seat base	6. Side covers with bolts	10. Telescoping cover
3. Lumbar cushion	7. Control unit	11. Hex Key
4. Wheel base	8. Gloves	12. Spare bolt

**NOTE:** The illustrations are for reference only and may differ from your actual chair in appearance and features.

## C Installing the Lumbar cushion



The chair and the Lumbar cushion are designed with Velcro fasteners. Attach the Lumbar cushion to the chair using the Velcro fasteners.



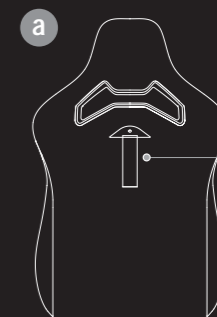
## D Lighting up your chair

1. Place your power bank into the packet at the back of the chair.
2. Connect the USB Type-A connector to your power bank.

The packet is attached to your chair with Velcro. You can easily remove and take it away.



## E Other features

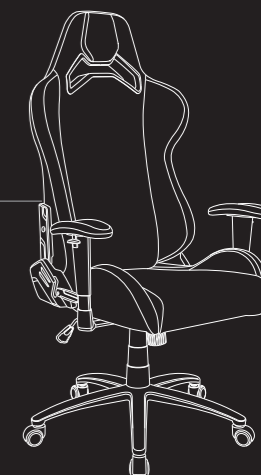


Hanger at the back of the chair for hanging your bags, clothes, cups and more.

Maximum load: 2kg  
Please do not hang items over 2kg.

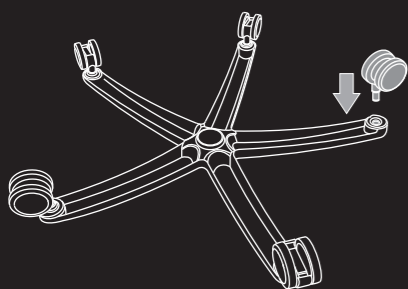
## b Using the RGB controller

Rating: 5V=1A

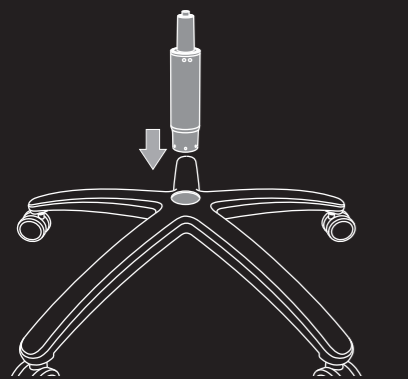


## B Assembling your chair

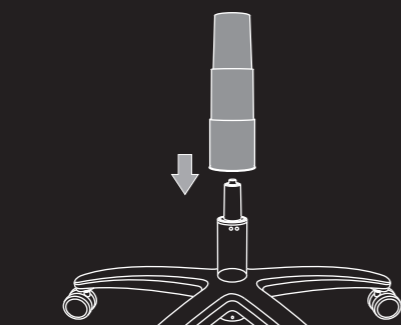
Put on the gloves before installation.



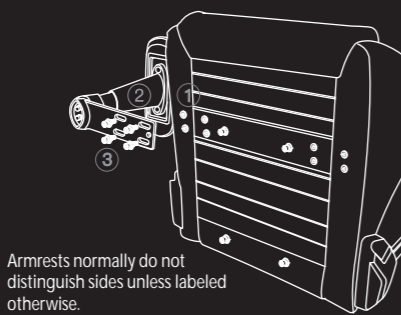
1. One by one, insert and push the wheels into the base.



2. Insert the hydraulic lift cylinder into the center hole of the base. Remove the red protective cap on top if there was any.



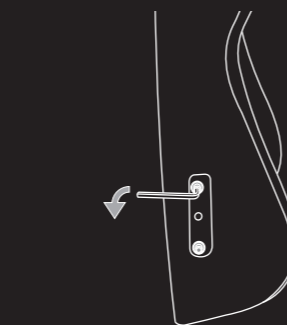
3. Place the telescoping cover on the top of the hydraulic lift cylinder.



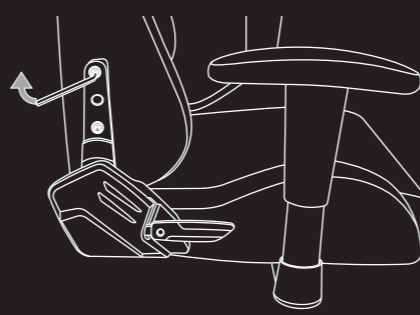
Armrests normally do not distinguish sides unless labeled otherwise.

For models with armrest pre-assembled, please skip this step.

4. Remove the pre-assembled bolts and washers (1 & 3). Place the 4 large washers (1) between the armrest mounting bar (2) and the seat base. Hold the armrest in place, then insert and tighten all 4 bolts (3). Use the hex key to tighten them all, and repeat on the other side.



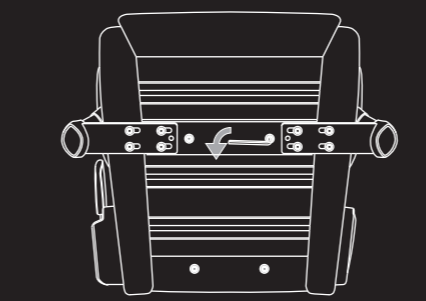
5. Use the hex key to remove the pre-assembled bolts and washers from the backrest.



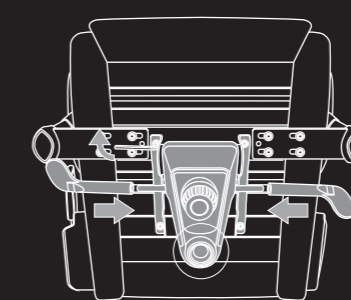
6. Remove the protective foam covers from the brackets of the seat base. Then position the backrest carefully between the brackets. Insert and attach the 4 bolts (2 on each side) you removed in step 5 by hand first. Then use the hex key to tighten them. Start with the two bolts on the top of each side, then the bottom two.



7. Install the side covers and tighten the bolts. (The covers are marked "L" for the left side and "R" for the right on the inside.)



8. Now flip the chair over, facing down. Then remove the 4 pre-mounted bolts from the underside with washers.



9. Repeat the step above to install the control unit, and then place the nut to mount the hydraulic lift cylinder facing the back of the seat (where the backrest is installed).



10. Insert top of the hydraulic lift cylinder into the mounting hole on the control unit, and then turn the chair over in upright position. (Two-person handling required for your safety)

**DO NOT** remove the non-detachable controller as this will void the warranty.

1. Aura RGB Lighting: On / Effect / O

Press repeatedly to power the Aura RGB LEDs on or off, or cycle through the current 7 effects: (1) rainbow (2) breathing (3) color cycle (4) wave (5) glowing Yo-Yo (6) strobing (7) static

Press the Aura RGB Lighting button for 3 seconds to terminate the lighting.

Press it to wake up again or reconnect your powerbank will keep its previous setting.

**NOTE:** Your powerbank may automatically adjust its output when the lighting is terminated. Disconnect and reconnect it if the Aura RGB Lighting cannot wake up after toggling it back on.

2. Aura RGB color

Press repeatedly to cycle through the following 8 striking colors: (1) red (2) orange (3) yellow (4) green (5) blue (6) indigo (7) purple (8) pink

**NOTE:** This feature is only available on the following Aura RGB effects: (2) breathing (6) strobing (7) static

3. Aura RGB speed: Slow / Medium / Fast

Press repeatedly to cycle through the following 3 effect speeds: (1) Slow (2) Medium (3) Fast

**NOTE:** This feature is only available on the following Aura RGB effects: (1) rainbow (2) breathing (3) color cycle (4) wave (5) glowing Yo-Yo (6) strobing

4. Aura RGB brightness: 50% / 75% / 100%

Three brightness levels. The brightness can be switched by simple tap to fit the environment lighting and preference.

5. Reset to factory mode

Press the button (2) and button (4) simultaneously to reset your chair to its factory defaults.





## Federal Communications Commission Statement

This device has been tested and found to comply with the limits for a Class B device, pursuant to Part 15 of the FCC Rules.

These limits are designed to provide reasonable protection against harmful interference in a residential installation. This equipment generates, uses and can radiate radio frequency energy and, if not installed and used in accordance with manufacturer's instructions, may cause harmful interference to radio communications.

However, there is no guarantee that interference will not occur in a particular installation. If this equipment does cause harmful interference to radio or television reception, which can be determined by turning the equipment o and on, the user is encouraged to try to correct the interference by one or more of the following measures:

- Reorient or relocate the receiving antenna.
- Increase the separation between the equipment and receiver.
- Connect the equipment to an outlet on a circuit different from that to which the receiver is connected.
- Consult the dealer or an experienced radio/TV technician for help.

This device complies with Part 15 of the FCC Rules. Operation is subject to the following two conditions:

- This device may not cause harmful interference; and
- This device must accept any interference received including interference that may cause undesired operation.


<p><b>CAUTION!</b> Any changes or modifications not expressly approved by the grantee of this device could void the user's authority to operate the equipment.</p>
--

<p><b>CAUTION!</b> Any changes or modifications not expressly approved by the grantee of this device could void the user's authority to operate the equipment.</p>
--

### 電波障害自主規制について

この装置は、情報処理装置等電波障害自主規制協議会（VCCI）の基準に基づくクラス B 情報技術装置です。この装置は、家庭環境で使用することを目的としていますが、この装置がラジオやテレビジョン受信機に近接して使用されると、受信障害を引き起こすことがあります。 取り扱い説明書に従って正しい取り扱いをしてください。

		<b>WARNING</b> Cancer and Reproductive Harm- www.P65Warnings.ca.gov
--	---	--

	电子电气产品有害物质限制使用标识：图中数字为产品之环保使用期限。 仅指电子电气产品中含有的有害物质不致发生外泄或突变，从而对环境造成污染或对人体、财产造成严重损害的期限。
--	---

### 产品中有害物质的名称及含量

部件名称	有害物质					
	铅 (Pb)	汞 (Hg)	镉 (Cd)	六价铬 (Cr(VI))	多溴联苯 (PBB)	多溴二苯醚 (PBDE)
印刷电路板及其电子组件	○	○	○	○	○	○
外壳	○	○	○	○	○	○
信号连接器及线材	○	○	○	○	○	○
LED灯	○	○	○	○	○	○

本表格依据 SJ/T 11364 的规定编制。


○：表示该有害物质在该部件所有均质材料中的含量均在 GB/T 26572 规定的限量要求以下。

×：表示该有害物质至少在该部件的某一均质材料中的含量超出 GB/T 26572 规定的限量要求，然该部件仍符合欧盟指令 2011/65/EU 的规范。

备注：此产品所标示之环保使用期限，系指在一般正常使用状况下。

### ASUS Recycling/Takeback Services

ASUS recycling and takeback programs come from our commitment to the highest standards for protecting our environment. We believe in providing solutions for you to be able to responsibly recycle our products, batteries, other components, as well as the packaging materials. Please go to <http://csr.asus.com/english/Takeback.htm> for the detailed recycling information in different regions.

	<b>CAUTION!</b> DO NOT throw the product in municipal waste. This product has been designed to enable proper reuse of parts and recycling. This symbol of the crossed out wheeled bin indicates that the product (electrical and electronic equipment) should not be placed in municipal waste. Check local regulations for disposal of electronic products.
--	--

이 기기는 가정용 (B 급) 으로 전자파적합등록을 한 기기로서 주로 가정에서 사용하는 것을 목적으로하며 , 모든 지역에서 사용할 수 있습니다 .

<p>ASUSTeK Computer Inc. заявляє, що цей пристрій відповідає основним вимогам та іншим відповідним положенням відповідних Директив. Повний текст декларації відповідності стандартам СС доступний на: <a href="http://www.asus.com/support">www.asus.com/support</a>.</p>
---

### Официальное представительство в России

Горячая линия Службы технической поддержки в России:

Бесплатный федеральный номер для звонков по России: 8-800-100-2787

Номер для пользователей в Москве: +7(495)231-1999

Время работы: Пн-Пт, 09:00 - 21:00 (по московскому времени)

Официальные сайты ASUS в России:

[www.asus.ru](http://www.asus.ru)

[www.asus.com/ru/support](http://www.asus.com/ru/support)

### Authorised distributors in Turkey

### PENTA TEKNOLOJİ URUNLERİ DAGITIM TİCARET A.Ş.

**Address, City:** DUDULLU ORGANİZE SANAYİ BİLGESİ NATO YOLU 4.CAD. NO:1 DUDULLU ÜMRANIYE 34775 İSTANBUL TURKEY
**Distributor** Tel:0216 645 82 00
**Country:** TURKEY

### Bilkom Bili im Hizmetleri A. .

**Address:** Mahir z Cad. No:26 K:2 Altunizade Üsküdar stanbul - Türkiye
**Distributor** Tel: +90 216 554 9000
**Country:** TURKEY

### C5 Elektronik Sanayi Ve Ticaret A. .

**Address:** Sahrayıcedit Mah. Omca Sok. Golden Plaza No:33 E Blok Kat: 2 Kadıköy/ STANBUL
**Distributor** Tel: +90 (216) 411 44 00
**Country:** TURKEY

### Manufacturer: ASUSTeK COMPUTER INC.

**Address:** 4F No.150 LI-TE RD., PEITOU, TAIPEI 112, TAIWAN
**Location:** TAIWAN
**Manufacturer** Tel: 886-2-2894-3447

### ASUS COMPUTER GmbH

**Address:** HARKORT STR. 21-23, 40880 RATINGEN, GERMANY
**Tel.:** +49-2102-5789555

AEEE Yönetmeli ine Uygundur.

## CE Mark Warning

This is a Class B product, in a domestic environment, this product may cause radio interference, in which case the user may be required to take adequate measures.

**English** Simpli ed EU Declaration of Conformity
ASUSTeK Computer Inc. hereby declares that this device is in compliance with the essential requirements and other relevant provisions of related Directives. Full text of EU declaration of conformity is available at: [www.asus.com/support](http://www.asus.com/support)

**Français** Déclaration simpli ée de conformité de l’UE
AsusTek Computer Inc. déclare par la présente que cet appareil est conforme aux critères essentiels et autres clauses pertinentes des directives concernées. La déclaration de conformité de l’UE peut être téléchargée à partir du site Internet suivant : [www.asus.com/support](http://www.asus.com/support).

**Deutsch** Vereinfachte EU-Konformitätserklärung
ASUSTeK Computer Inc. erklärt hiermit, dass dieses Gerät mit den wesentlichen Anforderungen und anderen relevanten Bestimmungen der zugehörigen Richtlinien übereinstimmt. Der gesamte Text der EU-Konformitätserklärung ist verfügbar unter: [www.asus.com/support](http://www.asus.com/support).

**Italiano** Dichiarazione di conformità UE sempli cata
ASUSTeK Computer Inc. con la presente dichiara che questo dispositivo è conforme ai requisiti essenziali e alle altre disposizioni pertinenti con le direttive correlate. Il testo completo della dichiarazione di conformità UE è disponibile all'indirizzo: [www.asus.com/support](http://www.asus.com/support).

<p>ASUS</p>
<p><a href="http://www.asus.com/support">www.asus.com/support</a>.</p>

**eština** Zjednodušené prohlášení o shod EU
Společnost ASUSTeK Computer Inc. tímto prohlašuje, že toto zaizení splňuje základní požadavky a další příslušná ustanovení souvisejících směrnic. Plné znění prohlášení o shodě EU je k dispozici na adrese: [www.asus.com/support](http://www.asus.com/support).

**Magyar** Egyszerűsített EU megfelelőségi nyilatkozat
Az ASUSTeK Computer Inc. ezennel kijelenti, hogy ez az eszköz megfelel a kapcsolódó irányelvek lényeges követelményeinek és egyéb vonatkozó rendelkezéseinek. Az EU megfelelőségi nyilatkozat teljes szövege innen letölthető : [www.asus.com/support](http://www.asus.com/support).

**Polski** Uproszczona deklaracja zgodności UE
Firma ASUSTeK Computer Inc. niniejszym owiadcza, że urządzenie to jest zgodne z zasadniczymi wymogami i innymi właściwymi postanowieniami powiżanych dyrektyw. Pełny tekst deklaracji zgodności UE jest dostępny pod adresem: [www.asus.com/support](http://www.asus.com/support).

**Português** Declaração de Conformidade Simplificada da UE
A ASUSTeK Computer Inc. declara que este dispositivo está em conformidade com os requisitos essenciais e outras disposições relevantes das Diretivas relacionadas. Texto integral da declaração da UE disponível em: [www.asus.com/support](http://www.asus.com/support).

**Roman** Declarație de conformitate UE, versiune simplă
ASUSTeK Computer Inc. declară că acest dispozitiv se conformează cerințelor esențiale altor prevederi relevante ale directivei/conexă. Textul complet al declarației de conformitate a Uniunii Europene se găsește la: [www.asus.com/support](http://www.asus.com/support).

**Slovensky** Zjednodušené vyhlásenie o zhode platné pre EÚ
Spoločnosť ASUSTeK Computer Inc. týmto vyhlasuje, že toto zariadenie vyhovuje základným požiadavkám a ostatným príslušným ustanoveniam príslušných smerníc. Celý text vyhlásenia o zhode pre štáty EÚ je dostupný na adrese: [www.asus.com/support](http://www.asus.com/support)

**Slovenščina** Poenostavljena izjava EU o skladnosti
ASUSTeK Computer Inc. izjavlja, da je ta naprava skladna z bistvenimi zahtevami in drugimi ustreznimi določbami povezanih direktiv. Celotno besedilo EU-izjave o skladnosti je na voljo na spletnem mestu: [www.asus.com/support](http://www.asus.com/support).

**Español** Declaración de conformidad simplificada para la UE
Por la presente, ASUSTeK Computer Inc. declara que este dispositivo cumple los requisitos básicos y otras disposiciones pertinentes de las directivas relacionadas. El texto completo de la declaración de la UE de conformidad está disponible en: [www.asus.com/support](http://www.asus.com/support).

**Türkçe** Basitletirilmiş AB Uyumluluk Bildirimi
AsusTek Computer Inc., bu aygıtın temel gereksinimlerle ve ilikili yönergelerin derinleştirildiği kullarıyla uyumlu olduğunu beyan eder. AB uyumluluk bildirimiminin tam metnini adreste bulunabilir: [www.asus.com/support](http://www.asus.com/support).

### Copyright Information

You acknowledge that all rights of this Manual remain with ASUS. Any and all rights, including without limitation, in the Manual or website, are and shall remain the exclusive property of ASUS and/or its licensors. Nothing in this Manual intends to transfer any such rights, or to vest any such rights to you.

ASUS PROVIDES THIS MANUAL “AS IS” WITHOUT WARRANTY OF ANY KIND. SPECIFICATIONS AND INFORMATION CONTAINED IN THIS MANUAL ARE FURNISHED FOR INFORMATIONAL USE ONLY, AND ARE SUBJECT TO CHANGE AT ANY TIME WITHOUT NOTICE, AND SHOULD NOT BE CONSTRUED AS A COMMITMENT BY ASUS.

### Limitation of Liability

Circumstances may arise where because of a default on ASUS' part or other liability, you are entitled to recover damages from ASUS. In each such instance, regardless of the basis on which you are entitled to claim damages from ASUS, ASUS is liable for no more than damages for bodily injury (including death) and damage to real property and tangible personal property; or any other actual and direct damages resulted from omission or failure of performing legal duties under this Warranty Statement, up to the listed contract price of each product.

ASUS will only be responsible for or indemnify you for loss, damages or claims based in contract, tort or infringement under this Warranty Statement.

This limit also applies to ASUS' suppliers and its reseller. It is the maximum for which ASUS, its suppliers, and your reseller are collectively responsible.

UNDER NO CIRCUMSTANCES IS ASUS LIABLE FOR ANY OF THE FOLLOWING: (1) THIRD-PARTY CLAIMS AGAINST YOU FOR DAMAGES; (2) LOSS OF, OR DAMAGE TO, YOUR RECORDS OR DATA; OR (3) SPECIAL, INCIDENTAL, OR INDIRECT DAMAGES OR FOR ANY ECONOMIC CONSEQUENTIAL DAMAGES (INCLUDING LOST PROFITS OR SAVINGS), EVEN IF ASUS, ITS SUPPLIERS OR YOUR RESELLER IS INFORMED OF THEIR POSSIBILITY.

### Service and Support

For multi-language manuals, please refer to ASUS web site: <http://www.asus.com/support/>

<b>English</b>			
<b>A. Package Contents</b>			
1. Backrest	5. Wheels	9. Hydraulic lift cylinder	
2. Seat base	6. Side covers with bolts	10. Telescoping cover	
3. Lumbar cushion	6. Side covers with bolts	11. Hex Key	
4. Wheel base	7. Control unit	12. Spare bolt	

Note: The illustrations are for reference only and may differ from your actual chair in appearance and features.

### B. Assembling your chair

Put on the gloves before installation.

- One by one, insert and push the wheels into the base.
- Insert the hydraulic lift cylinder into the center hole of the base. Remove the red protective cap on top if there was any.
- Place the telescoping cover on the top of the hydraulic lift cylinder. Armrests normally do not distinguish sides unless labeled otherwise. For models with armrest pre-assembled, please skip this step.
- Remove the pre-assembled bolts and washers (① & ③). Place the 4 large washers (①) between the armrest mounting bar (②) and the seat base. Hold the armrest in place, then insert and tighten all 4 bolts (③). Use the hex key to tighten them all, and repeat on the other side.
- Use the hex key to remove the pre-assembled bolts and washers from the backrest.
- Remove the protective foam covers from the brackets of the seat base. Then position the backrest carefully between the brackets. Insert and attach the 4 bolts (2 on each side) you removed in step 5 by hand first. Then use the hex key to tighten them. Start with the two bolts on the top of each side, then the bottom two.
- Install the side covers and tighten the bolts. (The covers are marked “L” for the left side and “R” for the right on the inside.)
- Now flip the chair over, facing down. Then remove the 4 pre-mounted bolts from the underside with washers.
- Repeat the step above to install the control unit, and then place the nut to mount the hydraulic lift cylinder facing the back of the seat (where the backrest is installed).
- Insert top of the hydraulic lift cylinder into the mounting hole on the control unit, and then turn the chair over in upright position. (Two-person handling required for your safety)

### C. Installing the Lumbar cushion

The chair and the Lumbar cushion are designed with Velcro fasteners. Attach the Lumbar cushion to the chair using the Velcro fasteners.

### D. Lighting up your chair

- Place your power bank into the packet at the back of the chair.
- Connect the USB Type-A connector to your power bank. The packet is attached to your chair with Velcro. You can easily remove and take it away.

### E. Other features

- Hangar at the back of the chair for hanging your bags, clothes, cups and more.

Maximum load: 2kg

Please do not hang items over 2kg.
  - Using the RGB controller

Rating: 5V=1A

**DO NOT remove the non-detachable controller as this will void the warranty.**
- Aura RGB Lighting: On / Effect / O

Press repeatedly to power the Aura RGB LEDs on or o , or cycle through the current 7 effects: (1) rainbow (2) breathing (3) color cycle (4) wave (5) glowing Yo-Yo (6) strobing (7) static

Press the Aura RGB Lighting button for 3 seconds to terminate the lighting.

Press it to wake up again or reconnect your powerbank will keep its previous setting.

<p><b>NOTE:</b> Your powerbank may automatically adjust its output when the lighting is terminated. Disconnect and reconnect it if the Aura RGB Lighting cannot wake up after toggling it back on.</p>
--

- Aura RGB color

Press repeatedly to cycle through the following 8 striking colors: (1) red (2) orange (3) yellow (4) green (5) blue (6) indigo (7) purple (8) pink

<p><b>NOTE:</b> This feature is only available on the following Aura RGB effects: (2) breathing (6) strobing (7) static</p>
---

- Aura RGB speed: Slow / Medium / Fast

Press repeatedly to cycle through the following 3 color effect speeds: (1) Slow (2) Medium (3) Fast

<p><b>NOTE:</b> This feature is only available on the following Aura RGB effects: (1) rainbow (2) breathing (3) color cycle (4) wave (5) glowing Yo-Yo (6) strobing</p>
---

- Aura RGB brightness: 50% / 75% / 100%

Three brightness levels. The brightness can be switch by simple tap to the environment lighting and preference.
- Reset to factory mode

Press the button (2) and button (4) simultaneously to reset your chair to its factory defaults.

### F. Adjustable functions

- Armrest adjustment
  - Height adjustment
  - Forward and backward
  - Rotation adjustment
  - Inward and outward
- Headrest adjustment

Height adjustment (7cm)

Please do not excessively raise your headrest.
- Pull up the lever and slowly lean back.
- Chair height adjustment
- Lock/unlock the tilt mechanism
- Seat rockability adjustment
- Locking caster

<b>English</b>			
<b>A. Package Contents</b>			
1. Backrest	5. Wheels	9. Hydraulic lift cylinder	
2. Seat base	6. Side covers with bolts	10. Telescoping cover	
3. Lumbar cushion	6. Side covers with bolts	11. Hex Key	
4. Wheel base	7. Control unit	12. Spare bolt	

Note: The illustrations are for reference only and may differ from your actual chair in appearance and features.

### B. Assembling your chair

Put on the gloves before installation.

- One by one, insert and push the wheels into the base.
- Insert the hydraulic lift cylinder into the center hole of the base. Remove the red protective cap on top if there was any.
- Place the telescoping cover on the top of the hydraulic lift cylinder. Armrests normally do not distinguish sides unless labeled otherwise. For models with armrest pre-assembled, please skip this step.
- Remove the pre-assembled bolts and washers (① & ③). Place the 4 large washers (①) between the armrest mounting bar (②) and the seat base. Hold the armrest in place, then insert and tighten all 4 bolts (③). Use the hex key to tighten them all, and repeat on the other side.
- Use the hex key to remove the pre-assembled bolts and washers from the backrest.
- Remove the protective foam covers from the brackets of the seat base. Then position the backrest carefully between the brackets. Insert and attach the 4 bolts (2 on each side) you removed in step 5 by hand first. Then use the hex key to tighten them. Start with the two bolts on the top of each side, then the bottom two.
- Install the side covers and tighten the bolts. (The covers are marked “L” for the left side and “R” for the right on the inside.)
- Now flip the chair over, facing down. Then remove the 4 pre-mounted bolts from the underside with washers.
- Repeat the step above to install the control unit, and then place the nut to mount the hydraulic lift cylinder facing the back of the seat (where the backrest is installed).
- Insert top of the hydraulic lift cylinder into the mounting hole on the control unit, and then turn the chair over in upright position. (Two-person handling required for your safety)

### C. Installing the Lumbar cushion

The chair and the Lumbar cushion are designed with Velcro fasteners. Attach the Lumbar cushion to the chair using the Velcro fasteners.

### D. Lighting up your chair

- Place your power bank into the packet at the back of the chair.
- Connect the USB Type-A connector to your power bank. The packet is attached to your chair with Velcro. You can easily remove and take it away.

### E. Other features

- Hangar at the back of the chair for hanging your bags, clothes, cups and more.

Maximum load: 2kg

Please do not hang items over 2kg.
  - Using the RGB controller

Rating: 5V=1A

**DO NOT remove the non-detachable controller as this will void the warranty.**
- Aura RGB Lighting: On / Effect / O

Press repeatedly to power the Aura RGB LEDs on or o , or cycle through the current 7 effects: (1) rainbow (2) breathing (3) color cycle (4) wave (5) glowing Yo-Yo (6) strobing (7) static

Press the Aura RGB Lighting button for 3 seconds to terminate the lighting.

Press it to wake up again or reconnect your powerbank will keep its previous setting.

<p><b>NOTE:</b> Your powerbank may automatically adjust its output when the lighting is terminated. Disconnect and reconnect it if the Aura RGB Lighting cannot wake up after toggling it back on.</p>
--

- Aura RGB color

Press repeatedly to cycle through the following 8 striking colors: (1) red (2) orange (3) yellow (4) green (5) blue (6) indigo (7) purple (8) pink

<p><b>NOTE:</b> This feature is only available on the following Aura RGB effects: (2) breathing (6) strobing (7) static</p>
---

- Aura RGB speed: Slow / Medium / Fast

Press repeatedly to cycle through the following 3 color effect speeds: (1) Slow (2) Medium (3) Fast

<p><b>NOTE:</b> This feature is only available on the following Aura RGB effects: (1) rainbow (2) breathing (3) color cycle (4) wave (5) glowing Yo-Yo (6) strobing</p>
---

- Aura RGB brightness: 50% / 75% / 100%

Three brightness levels. The brightness can be switch by simple tap to the environment lighting and preference.
- Reset to factory mode

Press the button (2) and button (4) simultaneously to reset your chair to its factory defaults.

### F. Adjustable functions

- Armrest adjustment
  - Height adjustment
  - Forward and backward
  - Rotation adjustment
  - Inward and outward
- Headrest adjustment

Height adjustment (7cm)

Please do not excessively raise your headrest.
- Pull up the lever and slowly lean back.
- Chair height adjustment
- Lock/unlock the tilt mechanism
- Seat rockability adjustment
- Locking caster

## English

### A. Package Contents

1.	Backrest	5.	Wheels	9.	Hydraulic lift cylinder
2.	Seat base	6.	Side covers with bolts	10.	Telescoping cover
3.	Lumbar cushion	6.	Side covers with bolts	11.	Hex Key
4.	Wheel base	7.	Control unit	12.	Spare bolt

Note: The illustrations are for reference only and may di er from your actual chair in appearance and features.

### B. Assembling your chair

Put on the gloves before installation.

- One by one, insert and push the wheels into the base.
- Insert the hydraulic lift cylinder into the center hole of the base. Remove the red protective cap on top if there was any.
- Place the telescoping cover on the top of the hydraulic lift cylinder. Armrests normally do not distinguish sides unless labeled otherwise. For models with armrest pre-assembled, please skip this step.
- Remove the pre-assembled bolts and washers (① & ③). Place the 4 large washers (①) between the armrest mounting bar (②) and the seat base. Hold the armrest in place, then insert and tighten all 4 bolts (③). Use the hex key to tighten them all, and repeat on the other side.
- Use the hex key to remove the pre-assembled bolts and washers from the backrest.
- Remove the protective foam covers from the brackets of the seat base. Then position the backrest carefully between the brackets. Insert and attach the 4 bolts (2 on each side) you removed in step 5 by hand rst. Then use the hex key to tighten them. Start with the two bolts on the top of each side, then the bottom two.
- Install the side covers and tighten the bolts. (The covers are marked "L" for the left side and "R" for the right on the inside.)
- Now ip the chair over, facing down. Then remove the 4 pre-mounted bolts from the underside with washers.
- Repeat the step above to install the control unit, and then place the nut to mount the hydraulic lift cylinder facing the back of the seat (where the backrest is installed).
- Insert top of the hydraulic lift cylinder into the mounting hole on the control unit, and then turn the chair over in upright position. (Two-person handling required for your safety)

#### C. Installing the Lumbar cushion

The chair and the Lumbar cushion are designed with Velcro fasteners. Attach the Lumbar cushion to the chair using the Velcro fasteners.

### D. Lighting up your chair

- Place your power bank into the packet at the back of the chair.
- Connect the USB Type-A connector to your power bank.

The packet is attached to your chair with Velcro. You can easily remove and take it away.

### E. Other features

- Hanger at the back of the chair for hanging your bags, clothes, cups and more.
  - Maximum load: 2kg
  - Please do not hang items over 2kg.
- Using the RGB controller
  - Rating: 5V=1A

**DO NOT remove the non-detachable controller as this will void the warranty.**

- Aura RGB Lighting: On / E ect / O

Press repeatedly to power the Aura RGB LEDs on or o , or cycle through the current 7 e ects: (1) rainbow (2) breathing (3) color cycle (4) wave (5) glowing Yo-Yo (6) strobing (7) static

Press the Aura RGB Lighting button for 3 seconds to terminate the lighting.

Press it to wake up again or reconnect your powerbank will keep its previous setting.

- NOTE:** Your powerbank may automatically adjust its output when the lighting is terminated. Disconnect and reconnect it if the Aura RGB Lighting cannot wake up after toggling it back on.

- Aura RGB color
  - Press repeatedly to cycle through the following 8 striking colors: (1) red (2) orange (3) yellow (4) green (5) blue (6) indigo (7) purple (8) pink

- NOTE:** This feature is only available on the following Aura RGB e ects: (2) breathing (6) strobing (7) static

- Aura RGB speed: Slow / Medium / Fast
  - Press repeatedly to cycle through the following 3 color e ect speeds: (1) Slow (2) Medium (3) Fast

- NOTE:** This feature is only available on the following Aura RGB e ects: (1) rainbow (2) breathing (3) color cycle (4) wave (5) glowing Yo-Yo (6) strobing

- Aura RGB brightness: 50% / 75% / 100%
  - Three brightness levels. The brightness can be switch by simple tap to t the environment lighting and preference.
- Reset to factory mode
  - Press the button (2) and button (4) simultaneously to reset your chair to its factory defaults.

#### F. Adjustable functions

- |                                |  |
|--------------------------------|--|
| 1. Armrest adjustment          | 1. Armrest adjustment                          |
| 2. Headrest adjustment         | ① Height adjustment                            |
| 3. Backrest reclining          | ② Forward and backward                         |
| 4. Chair height adjustment     | ③ Rotation adjustment                          |
| 5. Tilt lock                   | ④ Inward and outward                           |
| 6. Seat rockability adjustment | 2. Headrest adjustment                         |
| 7. Locking caster              | Height adjustment (7cm)                        |
|                                | Please do not excessively raise your headrest. |
|                                | 3. Pull up the lever and slowly lean back.     |
|                                | 4. Chair height adjustment                     |
|                                | 5. Lock/unlock the tilt mechanism              |
|                                | 6. Seat rockability adjustment                 |
|                                | 7. Locking caster                              |

## English

### A. Package Contents

1.	Backrest	5.	Wheels	9.	Hydraulic lift cylinder
2.	Seat base	6.	Side covers with bolts	10.	Telescoping cover
3.	Lumbar cushion	6.	Side covers with bolts	11.	Hex Key
4.	Wheel base	7.	Control unit	12.	Spare bolt

Note: The illustrations are for reference only and may di er from your actual chair in appearance and features.

### B. Assembling your chair

Put on the gloves before installation.

- One by one, insert and push the wheels into the base.
- Insert the hydraulic lift cylinder into the center hole of the base. Remove the red protective cap on top if there was any.
- Place the telescoping cover on the top of the hydraulic lift cylinder. Armrests normally do not distinguish sides unless labeled otherwise. For models with armrest pre-assembled, please skip this step.
- Remove the pre-assembled bolts and washers (① & ③). Place the 4 large washers (①) between the armrest mounting bar (②) and the seat base. Hold the armrest in place, then insert and tighten all 4 bolts (③). Use the hex key to tighten them all, and repeat on the other side.
- Use the hex key to remove the pre-assembled bolts and washers from the backrest.
- Remove the protective foam covers from the brackets of the seat base. Then position the backrest carefully between the brackets. Insert and attach the 4 bolts (2 on each side) you removed in step 5 by hand rst. Then use the hex key to tighten them. Start with the two bolts on the top of each side, then the bottom two.
- Install the side covers and tighten the bolts. (The covers are marked "L" for the left side and "R" for the right on the inside.)
- Now ip the chair over, facing down. Then remove the 4 pre-mounted bolts from the underside with washers.
- Repeat the step above to install the control unit, and then place the nut to mount the hydraulic lift cylinder facing the back of the seat (where the backrest is installed).
- Insert top of the hydraulic lift cylinder into the mounting hole on the control unit, and then turn the chair over in upright position. (Two-person handling required for your safety)

#### C. Installing the Lumbar cushion

The chair and the Lumbar cushion are designed with Velcro fasteners. Attach the Lumbar cushion to the chair using the Velcro fasteners.

### D. Lighting up your chair

- Place your power bank into the packet at the back of the chair.
- Connect the USB Type-A connector to your power bank.

The packet is attached to your chair with Velcro. You can easily remove and take it away.

### E. Other features

- Hanger at the back of the chair for hanging your bags, clothes, cups and more.
  - Maximum load: 2kg
  - Please do not hang items over 2kg.
- Using the RGB controller
  - Rating: 5V=1A

**DO NOT remove the non-detachable controller as this will void the warranty.**

- Aura RGB Lighting: On / E ect / O

Press repeatedly to power the Aura RGB LEDs on or o , or cycle through the current 7 e ects: (1) rainbow (2) breathing (3) color cycle (4) wave (5) glowing Yo-Yo (6) strobing (7) static

Press the Aura RGB Lighting button for 3 seconds to terminate the lighting.

Press it to wake up again or reconnect your powerbank will keep its previous setting.

- NOTE:** Your powerbank may automatically adjust its output when the lighting is terminated. Disconnect and reconnect it if the Aura RGB Lighting cannot wake up after toggling it back on.

- Aura RGB color
  - Press repeatedly to cycle through the following 8 striking colors: (1) red (2) orange (3) yellow (4) green (5) blue (6) indigo (7) purple (8) pink

- NOTE:** This feature is only available on the following Aura RGB e ects: (2) breathing (6) strobing (7) static

- Aura RGB speed: Slow / Medium / Fast
  - Press repeatedly to cycle through the following 3 color e ect speeds: (1) Slow (2) Medium (3) Fast

- NOTE:** This feature is only available on the following Aura RGB e ects: (1) rainbow (2) breathing (3) color cycle (4) wave (5) glowing Yo-Yo (6) strobing

- Aura RGB brightness: 50% / 75% / 100%
  - Three brightness levels. The brightness can be switch by simple tap to t the environment lighting and preference.
- Reset to factory mode
  - Press the button (2) and button (4) simultaneously to reset your chair to its factory defaults.

#### F. Adjustable functions

- |                                |  |
|--------------------------------|--|
| 1. Armrest adjustment          | 1. Armrest adjustment                          |
| 2. Headrest adjustment         | ① Height adjustment                            |
| 3. Backrest reclining          | ② Forward and backward                         |
| 4. Chair height adjustment     | ③ Rotation adjustment                          |
| 5. Tilt lock                   | ④ Inward and outward                           |
| 6. Seat rockability adjustment | 2. Headrest adjustment                         |
| 7. Locking caster              | Height adjustment (7cm)                        |
|                                | Please do not excessively raise your headrest. |
|                                | 3. Pull up the lever and slowly lean back.     |
|                                | 4. Chair height adjustment                     |
|                                | 5. Lock/unlock the tilt mechanism              |
|                                | 6. Seat rockability adjustment                 |
|                                | 7. Locking caster                              |

## English

### A. Package Contents

1.	Backrest	5.	Wheels	9.	Hydraulic lift cylinder
2.	Seat base	6.	Side covers with bolts	10.	Telescoping cover
3.	Lumbar cushion	6.	Side covers with bolts	11.	Hex Key
4.	Wheel base	7.	Control unit	12.	Spare bolt

Note: The illustrations are for reference only and may di er from your actual chair in appearance and features.

#### B. Assembling your chair

Put on the gloves before installation.

- One by one, insert and push the wheels into the base.
- Insert the hydraulic lift cylinder into the center hole of the base. Remove the red protective cap on top if there was any.
- Place the telescoping cover on the top of the hydraulic lift cylinder. Armrests normally do not distinguish sides unless labeled otherwise. For models with armrest pre-assembled, please skip this step.
- Remove the pre-assembled bolts and washers (① & ③). Place the 4 large washers (①) between the armrest mounting bar (②) and the seat base. Hold the armrest in place, then insert and tighten all 4 bolts (③). Use the hex key to tighten them all, and repeat on the other side.
- Use the hex key to remove the pre-assembled bolts and washers from the backrest.
- Remove the protective foam covers from the brackets of the seat base. Then position the backrest carefully between the brackets. Insert and attach the 4 bolts (2 on each side) you removed in step 5 by hand rst. Then use the hex key to tighten them. Start with the two bolts on the top of each side, then the bottom two.
- Install the side covers and tighten the bolts. (The covers are marked "L" for the left side and "R" for the right on the inside.)
- Now ip the chair over, facing down. Then remove the 4 pre-mounted bolts from the underside with washers.
- Repeat the step above to install the control unit, and then place the nut to mount the hydraulic lift cylinder facing the back of the seat (where the backrest is installed).
- Insert top of the hydraulic lift cylinder into the mounting hole on the control unit, and then turn the chair over in upright position. (Two-person handling required for your safety)

#### C. Installing the Lumbar cushion

The chair and the Lumbar cushion are designed with Velcro fasteners. Attach the Lumbar cushion to the chair using the Velcro fasteners.

### D. Lighting up your chair

- Place your power bank into the packet at the back of the chair.
- Connect the USB Type-A connector to your power bank.

The packet is attached to your chair with Velcro. You can easily remove and take it away.

### E. Other features

- Hanger at the back of the chair for hanging your bags, clothes, cups and more.
  - Maximum load: 2kg
  - Please do not hang items over 2kg.
- Using the RGB controller
  - Rating: 5V=1A

**DO NOT remove the non-detachable controller as this will void the warranty.**

- Aura RGB Lighting: On / E ect / O

Press repeatedly to power the Aura RGB LEDs on or o , or cycle through the current 7 e ects: (1) rainbow (2) breathing (3) color cycle (4) wave (5) glowing Yo-Yo (6) strobing (7) static

Press the Aura RGB Lighting button for 3 seconds to terminate the lighting.

Press it to wake up again or reconnect your powerbank will keep its previous setting.

- NOTE:** Your powerbank may automatically adjust its output when the lighting is terminated. Disconnect and reconnect it if the Aura RGB Lighting cannot wake up after toggling it back on.

- Aura RGB color
  - Press repeatedly to cycle through the following 8 striking colors: (1) red (2) orange (3) yellow (4) green (5) blue (6) indigo (7) purple (8) pink

- NOTE:** This feature is only available on the following Aura RGB e ects: (2) breathing (6) strobing (7) static

- Aura RGB speed: Slow / Medium / Fast
  - Press repeatedly to cycle through the following 3 color e ect speeds: (1) Slow (2) Medium (3) Fast

- NOTE:** This feature is only available on the following Aura RGB e ects: (1) rainbow (2) breathing (3) color cycle (4) wave (5) glowing Yo-Yo (6) strobing

- Aura RGB brightness: 50% / 75% / 100%
  - Three brightness levels. The brightness can be switch by simple tap to t the environment lighting and preference.
- Reset to factory mode
  - Press the button (2) and button (4) simultaneously to reset your chair to its factory defaults.

#### F. Adjustable functions

- |                                |  |
|--------------------------------|--|
| 1. Armrest adjustment          | 1. Armrest adjustment                          |
| 2. Headrest adjustment         | ① Height adjustment                            |
| 3. Backrest reclining          | ② Forward and backward                         |
| 4. Chair height adjustment     | ③ Rotation adjustment                          |
| 5. Tilt lock                   | ④ Inward and outward                           |
| 6. Seat rockability adjustment | 2. Headrest adjustment                         |
| 7. Locking caster              | Height adjustment (7cm)                        |
|                                | Please do not excessively raise your headrest. |
|                                | 3. Pull up the lever and slowly lean back.     |
|                                | 4. Chair height adjustment                     |
|                                | 5. Lock/unlock the tilt mechanism              |
|                                | 6. Seat rockability adjustment                 |
|                                | 7. Locking caster                              |

## English

### A. Package Contents

1.	Backrest	5.	Wheels	9.	Hydraulic lift cylinder
2.	Seat base	6.	Side covers with bolts	10.	Telescoping cover
3.	Lumbar cushion	6.	Side covers with bolts	11.	Hex Key
4.	Wheel base	7.	Control unit	12.	Spare bolt

Note: The illustrations are for reference only and may di er from your actual chair in appearance and features.

#### B. Assembling your chair

Put on the gloves before installation.

- One by one, insert and push the wheels into the base.
- Insert the hydraulic lift cylinder into the center hole of the base. Remove the red protective cap on top if there was any.
- Place the telescoping cover on the top of the hydraulic lift cylinder. Armrests normally do not distinguish sides unless labeled otherwise. For models with armrest pre-assembled, please skip this step.
- Remove the pre-assembled bolts and washers (① & ③). Place the 4 large washers (①) between the armrest mounting bar (②) and the seat base. Hold the armrest in place, then insert and tighten all 4 bolts (③). Use the hex key to tighten them all, and repeat on the other side.
- Use the hex key to remove the pre-assembled bolts and washers from the backrest.
- Remove the protective foam covers from the brackets of the seat base. Then position the backrest carefully between the brackets. Insert and attach the 4 bolts (2 on each side) you removed in step 5 by hand rst. Then use the hex key to tighten them. Start with the two bolts on the top of each side, then the bottom two.
- Install the side covers and tighten the bolts. (The covers are marked "L" for the left side and "R" for the right on the inside.)
- Now ip the chair over, facing down. Then remove the 4 pre-mounted bolts from the underside with washers.
- Repeat the step above to install the control unit, and then place the nut to mount the hydraulic lift cylinder facing the back of the seat (where the backrest is installed).
- Insert top of the hydraulic lift cylinder into the mounting hole on the control unit, and then turn the chair over in upright position. (Two-person handling required for your safety)

#### C. Installing the Lumbar cushion

The chair and the Lumbar cushion are designed with Velcro fasteners. Attach the Lumbar cushion to the chair using the Velcro fasteners.

### D. Lighting up your chair

- Place your power bank into the packet at the back of the chair.
- Connect the USB Type-A connector to your power bank.

The packet is attached to your chair with Velcro. You can easily remove and take it away.

### E. Other features

- Hanger at the back of the chair for hanging your bags, clothes, cups and more.
  - Maximum load: 2kg
  - Please do not hang items over 2kg.
- Using the RGB controller
  - Rating: 5V=iA

**DO NOT remove the non-detachable controller as this will void the warranty.**

- Aura RGB Lighting: On / E ect / O

Press repeatedly to power the Aura RGB LEDs on or o , or cycle through the current 7 e ects: (1) rainbow (2) breathing (3) color cycle (4) wave (5) glowing Yo-Yo (6) strobing (7) static

Press the Aura RGB Lighting button for 3 seconds to terminate the lighting.

Press it to wake up again or reconnect your powerbank will keep its previous setting.

- NOTE:** Your powerbank may automatically adjust its output when the lighting is terminated. Disconnect and reconnect it if the Aura RGB Lighting cannot wake up after toggling it back on.

- Aura RGB color
  - Press repeatedly to cycle through the following 8 striking colors: (1) red (2) orange (3) yellow (4) green (5) blue (6) indigo (7) purple (8) pink

- NOTE:** This feature is only available on the following Aura RGB e ects: (2) breathing (6) strobing (7) static

- Aura RGB speed: Slow / Medium / Fast
  - Press repeatedly to cycle through the following 3 color e ect speeds: (1) Slow (2) Medium (3) Fast

- NOTE:** This feature is only available on the following Aura RGB e ects: (1) rainbow (2) breathing (3) color cycle (4) wave (5) glowing Yo-Yo (6) strobing

- Aura RGB brightness: 50% / 75% / 100%
  - Three brightness levels. The brightness can be switch by simple tap to t the environment lighting and preference.
- Reset to factory mode
  - Press the button (2) and button (4) simultaneously to reset your chair to its factory defaults.

#### F. Adjustable functions

- |                                |  |
|--------------------------------|--|
| 1. Armrest adjustment          | 1. Armrest adjustment                          |
| 2. Headrest adjustment         | ① Height adjustment                            |
| 3. Backrest reclining          | ② Forward and backward                         |
| 4. Chair height adjustment     | ③ Rotation adjustment                          |
| 5. Tilt lock                   | ④ Inward and outward                           |
| 6. Seat rockability adjustment | 2. Headrest adjustment                         |
| 7. Locking caster              | Height adjustment (7cm)                        |
|                                | Please do not excessively raise your headrest. |
|                                | 3. Pull up the lever and slowly lean back.     |
|                                | 4. Chair height adjustment                     |
|                                | 5. Lock/unlock the tilt mechanism              |
|                                | 6. Seat rockability adjustment                 |
|                                | 7. Locking caster                              |



## English

### A. Package Contents

1.	Backrest	5.	Wheels	9.	Hydraulic lift cylinder
2.	Seat base	6.	Side covers with bolts	10.	Telescoping cover
3.	Lumbar cushion	6.	Side covers with bolts	11.	Hex Key
4.	Wheel base	7.	Control unit	12.	Spare bolt

Note: The illustrations are for reference only and may di er from your actual chair in appearance and features.

### B. Assembling your chair

Put on the gloves before installation.

- One by one, insert and push the wheels into the base.
- Insert the hydraulic lift cylinder into the center hole of the base. Remove the red protective cap on top if there was any.
- Place the telescoping cover on the top of the hydraulic lift cylinder. Armrests normally do not distinguish sides unless labeled otherwise. For models with armrest pre-assembled, please skip this step.

- Remove the pre-assembled bolts and washers ❶ & ❸. Place the 4 large washers ❶ between the armrest mounting bar ❷ and the seat base. Hold the armrest in place, then insert and tighten all 4 bolts ❸. Use the hex key to tighten them all, and repeat on the other side.
- Use the hex key to remove the pre-assembled bolts and washers from the backrest.
- Remove the protective foam covers from the brackets of the seat base. Then position the backrest carefully between the brackets. Insert and attach the 4 bolts (2 on each side) you removed in step 5 by hand rst. Then use the hex key to tighten them. Start with the two bolts on the top of each side, then the bottom two.
- Install the side covers and tighten the bolts. (The covers are marked “L” for the left side and “R” for the right on the inside.)
- Now ip the chair over, facing down. Then remove the 4 pre-mounted bolts from the underside with washers.
- Repeat the step above to install the control unit, and then place the nut to mount the hydraulic lift cylinder facing the back of the seat (where the backrest is installed).
- Insert top of the hydraulic lift cylinder into the mounting hole on the control unit, and then turn the chair over in upright position. (Two-person handling required for your safety)

### C. Installing the Lumbar cushion

The chair and the Lumbar cushion are designed with Velcro fasteners. Attach the Lumbar cushion to the chair using the Velcro fasteners.

### D. Lighting up your chair

- Place your power bank into the packet at the back of the chair.
- Connect the USB Type-A connector to your power bank.

The packet is attached to your chair with Velcro. You can easily remove and take it away.

### E. Other features

- Hanger at the back of the chair for hanging your bags, clothes, cups and more.
  - Maximum load: 2kg
  - Please do not hang items over 2kg.

- Using the RGB controller

Rating: 5V=1A

**DO NOT remove the non-detachable controller as this will void the warranty.**

- Aura RGB Lighting: On / E ect / O

Press repeatedly to power the Aura RGB LEDs on or o , or cycle through the current 7 e ects: (1) rainbow (2) breathing (3) color cycle (4) wave (5) glowing Yo-Yo (6) strobing (7) static

Press the Aura RGB Lighting button for 3 seconds to terminate the lighting.

Press it to wake up again or reconnect your powerbank will keep its previous setting.

**NOTE:** Your powerbank may automatically adjust its output when the lighting is terminated. Disconnect and reconnect it if the Aura RGB Lighting cannot wake up after toggling it back on.

- Aura RGB color
  - Press repeatedly to cycle through the following 8 striking colors: (1) red (2) orange (3) yellow (4) green (5) blue (6) indigo (7) purple (8) pink

**NOTE:** This feature is only available on the following Aura RGB e ects: (2) breathing (6) strobing (7) static

- Aura RGB speed: Slow / Medium / Fast

Press repeatedly to cycle through the following 3 color e ect speeds: (1) Slow (2) Medium (3) Fast

**NOTE:** This feature is only available on the following Aura RGB e ects: (1) rainbow (2) breathing (3) color cycle (4) wave (5) glowing Yo-Yo (6) strobing

- Aura RGB brightness: 50% / 75% / 100%

Three brightness levels. The brightness can be switch by simple tap to t the environment lighting and preference.

- Reset to factory mode

Press the button (2) and button (4) simultaneously to reset your chair to its factory defaults.

### F. Adjustable functions

- |                                |  |
|--------------------------------|--|
| 1. Armrest adjustment          | 1. Armrest adjustment                          |
| 2. Headrest adjustment         | ❶ Height adjustment                            |
| 3. Backrest reclining          | ❷ Forward and backward                         |
| 4. Chair height adjustment     | ❸ Rotation adjustment                          |
| 5. Tilt lock                   | ❹ Inward and outward                           |
| 6. Seat rockability adjustment | 2. Headrest adjustment                         |
| 7. Locking caster              | Height adjustment (7cm)                        |
|                                | Please do not excessively raise your headrest. |
|                                | 3. Pull up the lever and slowly lean back.     |
|                                | 4. Chair height adjustment                     |
|                                | 5. Lock/unlock the tilt mechanism              |
|                                | 6. Seat rockability adjustment                 |
|                                | 7. Locking caster                              |

## English

### A. Package Contents

1.	Backrest	5.	Wheels	9.	Hydraulic lift cylinder
2.	Seat base	6.	Side covers with bolts	10.	Telescoping cover
3.	Lumbar cushion	6.	Side covers with bolts	11.	Hex Key
4.	Wheel base	7.	Control unit	12.	Spare bolt

Note: The illustrations are for reference only and may di er from your actual chair in appearance and features.

### B. Assembling your chair

Put on the gloves before installation.

- One by one, insert and push the wheels into the base.
- Insert the hydraulic lift cylinder into the center hole of the base. Remove the red protective cap on top if there was any.
- Place the telescoping cover on the top of the hydraulic lift cylinder. Armrests normally do not distinguish sides unless labeled otherwise. For models with armrest pre-assembled, please skip this step.

- Remove the pre-assembled bolts and washers ❶ & ❸. Place the 4 large washers ❶ between the armrest mounting bar ❷ and the seat base. Hold the armrest in place, then insert and tighten all 4 bolts ❸. Use the hex key to tighten them all, and repeat on the other side.
- Use the hex key to remove the pre-assembled bolts and washers from the backrest.
- Remove the protective foam covers from the brackets of the seat base. Then position the backrest carefully between the brackets. Insert and attach the 4 bolts (2 on each side) you removed in step 5 by hand rst. Then use the hex key to tighten them. Start with the two bolts on the top of each side, then the bottom two.
- Install the side covers and tighten the bolts. (The covers are marked “L” for the left side and “R” for the right on the inside.)
- Now ip the chair over, facing down. Then remove the 4 pre-mounted bolts from the underside with washers.
- Repeat the step above to install the control unit, and then place the nut to mount the hydraulic lift cylinder facing the back of the seat (where the backrest is installed).
- Insert top of the hydraulic lift cylinder into the mounting hole on the control unit, and then turn the chair over in upright position. (Two-person handling required for your safety)

### C. Installing the Lumbar cushion

The chair and the Lumbar cushion are designed with Velcro fasteners. Attach the Lumbar cushion to the chair using the Velcro fasteners.

### D. Lighting up your chair

- Place your power bank into the packet at the back of the chair.
- Connect the USB Type-A connector to your power bank.

The packet is attached to your chair with Velcro. You can easily remove and take it away.

### E. Other features

- Hanger at the back of the chair for hanging your bags, clothes, cups and more.
  - Maximum load: 2kg
  - Please do not hang items over 2kg.

- Using the RGB controller

Rating: 5V=1A

**DO NOT remove the non-detachable controller as this will void the warranty.**

- Aura RGB Lighting: On / E ect / O

Press repeatedly to power the Aura RGB LEDs on or o , or cycle through the current 7 e ects: (1) rainbow (2) breathing (3) color cycle (4) wave (5) glowing Yo-Yo (6) strobing (7) static

Press the Aura RGB Lighting button for 3 seconds to terminate the lighting.

Press it to wake up again or reconnect your powerbank will keep its previous setting.

**NOTE:** Your powerbank may automatically adjust its output when the lighting is terminated. Disconnect and reconnect it if the Aura RGB Lighting cannot wake up after toggling it back on.

- Aura RGB color
  - Press repeatedly to cycle through the following 8 striking colors: (1) red (2) orange (3) yellow (4) green (5) blue (6) indigo (7) purple (8) pink

**NOTE:** This feature is only available on the following Aura RGB e ects: (2) breathing (6) strobing (7) static

- Aura RGB speed: Slow / Medium / Fast

Press repeatedly to cycle through the following 3 color e ect speeds: (1) Slow (2) Medium (3) Fast

**NOTE:** This feature is only available on the following Aura RGB e ects: (1) rainbow (2) breathing (3) color cycle (4) wave (5) glowing Yo-Yo (6) strobing

- Aura RGB brightness: 50% / 75% / 100%

Three brightness levels. The brightness can be switch by simple tap to t the environment lighting and preference.

- Reset to factory mode

Press the button (2) and button (4) simultaneously to reset your chair to its factory defaults.

### F. Adjustable functions

- |                                |  |
|--------------------------------|--|
| 1. Armrest adjustment          | 1. Armrest adjustment                          |
| 2. Headrest adjustment         | ❶ Height adjustment                            |
| 3. Backrest reclining          | ❷ Forward and backward                         |
| 4. Chair height adjustment     | ❸ Rotation adjustment                          |
| 5. Tilt lock                   | ❹ Inward and outward                           |
| 6. Seat rockability adjustment | 2. Headrest adjustment                         |
| 7. Locking caster              | Height adjustment (7cm)                        |
|                                | Please do not excessively raise your headrest. |
|                                | 3. Pull up the lever and slowly lean back.     |
|                                | 4. Chair height adjustment                     |
|                                | 5. Lock/unlock the tilt mechanism              |
|                                | 6. Seat rockability adjustment                 |
|                                | 7. Locking caster                              |

## English

### A. Package Contents

1.	Backrest	5.	Wheels	9.	Hydraulic lift cylinder
2.	Seat base	6.	Side covers with bolts	10.	Telescoping cover
3.	Lumbar cushion	6.	Side covers with bolts	11.	Hex Key
4.	Wheel base	7.	Control unit	12.	Spare bolt

Note: The illustrations are for reference only and may di er from your actual chair in appearance and features.

### B. Assembling your chair

Put on the gloves before installation.

- One by one, insert and push the wheels into the base.
- Insert the hydraulic lift cylinder into the center hole of the base. Remove the red protective cap on top if there was any.
- Place the telescoping cover on the top of the hydraulic lift cylinder. Armrests normally do not distinguish sides unless labeled otherwise. For models with armrest pre-assembled, please skip this step.

- Remove the pre-assembled bolts and washers ❶ & ❸. Place the 4 large washers ❶ between the armrest mounting bar ❷ and the seat base. Hold the armrest in place, then insert and tighten all 4 bolts ❸. Use the hex key to tighten them all, and repeat on the other side.
- Use the hex key to remove the pre-assembled bolts and washers from the backrest.
- Remove the protective foam covers from the brackets of the seat base. Then position the backrest carefully between the brackets. Insert and attach the 4 bolts (2 on each side) you removed in step 5 by hand rst. Then use the hex key to tighten them. Start with the two bolts on the top of each side, then the bottom two.
- Install the side covers and tighten the bolts. (The covers are marked “L” for the left side and “R” for the right on the inside.)
- Now ip the chair over, facing down. Then remove the 4 pre-mounted bolts from the underside with washers.
- Repeat the step above to install the control unit, and then place the nut to mount the hydraulic lift cylinder facing the back of the seat (where the backrest is installed).
- Insert top of the hydraulic lift cylinder into the mounting hole on the control unit, and then turn the chair over in upright position. (Two-person handling required for your safety)

### C. Installing the Lumbar cushion

The chair and the Lumbar cushion are designed with Velcro fasteners. Attach the Lumbar cushion to the chair using the Velcro fasteners.

### D. Lighting up your chair

- Place your power bank into the packet at the back of the chair.
- Connect the USB Type-A connector to your power bank.

The packet is attached to your chair with Velcro. You can easily remove and take it away.

### E. Other features

- Hanger at the back of the chair for hanging your bags, clothes, cups and more.
  - Maximum load: 2kg
  - Please do not hang items over 2kg.

- Using the RGB controller

Rating: 5V=1A

**DO NOT remove the non-detachable controller as this will void the warranty.**

- Aura RGB Lighting: On / E ect / O

Press repeatedly to power the Aura RGB LEDs on or o , or cycle through the current 7 e ects: (1) rainbow (2) breathing (3) color cycle (4) wave (5) glowing Yo-Yo (6) strobing (7) static

Press the Aura RGB Lighting button for 3 seconds to terminate the lighting.

Press it to wake up again or reconnect your powerbank will keep its previous setting.

**NOTE:** Your powerbank may automatically adjust its output when the lighting is terminated. Disconnect and reconnect it if the Aura RGB Lighting cannot wake up after toggling it back on.

- Aura RGB color
  - Press repeatedly to cycle through the following 8 striking colors: (1) red (2) orange (3) yellow (4) green (5) blue (6) indigo (7) purple (8) pink

**NOTE:** This feature is only available on the following Aura RGB e ects: (2) breathing (6) strobing (7) static

- Aura RGB speed: Slow / Medium / Fast

Press repeatedly to cycle through the following 3 color e ect speeds: (1) Slow (2) Medium (3) Fast

**NOTE:** This feature is only available on the following Aura RGB e ects: (1) rainbow (2) breathing (3) color cycle (4) wave (5) glowing Yo-Yo (6) strobing

- Aura RGB brightness: 50% / 75% / 100%

Three brightness levels. The brightnss can be switch by simple tap to t the environment lighting and preference.

- Reset to factory mode

Press the button (2) and button (4) simultaneously to reset your chair to its factory defaults.

### F. Adjustable functions

- |                                |  |
|--------------------------------|--|
| 1. Armrest adjustment          | 1. Armrest adjustment                          |
| 2. Headrest adjustment         | ❶ Height adjustment                            |
| 3. Backrest reclining          | ❷ Forward and backward                         |
| 4. Chair height adjustment     | ❸ Rotation adjustment                          |
| 5. Tilt lock                   | ❹ Inward and outward                           |
| 6. Seat rockability adjustment | 2. Headrest adjustment                         |
| 7. Locking caster              | Height adjustment (7cm)                        |
|                                | Please do not excessively raise your headrest. |
|                                | 3. Pull up the lever and slowly lean back.     |
|                                | 4. Chair height adjustment                     |
|                                | 5. Lock/unlock the tilt mechanism              |
|                                | 6. Seat rockability adjustment                 |
|                                | 7. Locking caster                              |

## English

### A. Package Contents

1.	Backrest	5.	Wheels	9.	Hydraulic lift cylinder
2.	Seat base	6.	Side covers with bolts	10.	Telescoping cover
3.	Lumbar cushion	6.	Side covers with bolts	11.	Hex Key
4.	Wheel base	7.	Control unit	12.	Spare bolt

Note: The illustrations are for reference only and may di er from your actual chair in appearance and features.

### B. Assembling your chair

Put on the gloves before installation.

- One by one, insert and push the wheels into the base.
- Insert the hydraulic lift cylinder into the center hole of the base. Remove the red protective cap on top if there was any.
- Place the telescoping cover on the top of the hydraulic lift cylinder. Armrests normally do not distinguish sides unless labeled otherwise. For models with armrest pre-assembled, please skip this step.

- Remove the pre-assembled bolts and washers ❶ & ❸. Place the 4 large washers ❶ between the armrest mounting bar ❷ and the seat base. Hold the armrest in place, then insert and tighten all 4 bolts ❸. Use the hex key to tighten them all, and repeat on the other side.
- Use the hex key to remove the pre-assembled bolts and washers from the backrest.
- Remove the protective foam covers from the brackets of the seat base. Then position the backrest carefully between the brackets. Insert and attach the 4 bolts (2 on each side) you removed in step 5 by hand rst. Then use the hex key to tighten them. Start with the two bolts on the top of each side, then the bottom two.
- Install the side covers and tighten the bolts. (The covers are marked “L” for the left side and “R” for the right on the inside.)
- Now ip the chair over, facing down. Then remove the 4 pre-mounted bolts from the underside with washers.
- Repeat the step above to install the control unit, and then place the nut to mount the hydraulic lift cylinder facing the back of the seat (where the backrest is installed).
- Insert top of the hydraulic lift cylinder into the mounting hole on the control unit, and then turn the chair over in upright position. (Two-person handling required for your safety)

### C. Installing the Lumbar cushion

The chair and the Lumbar cushion are designed with Velcro fasteners. Attach the Lumbar cushion to the chair using the Velcro fasteners.

### D. Lighting up your chair

- Place your power bank into the packet at the back of the chair.
- Connect the USB Type-A connector to your power bank.

The packet is attached to your chair with Velcro. You can easily remove and take it away.

### E. Other features

- Hanger at the back of the chair for hanging your bags, clothes, cups and more.
  - Maximum load: 2kg
  - Please do not hang items over 2kg.

- Using the RGB controller

Rating: 5V=1A

**DO NOT remove the non-detachable controller as this will void the warranty.**

- Aura RGB Lighting: On / E ect / O

Press repeatedly to power the Aura RGB LEDs on or o , or cycle through the current 7 e ects: (1) rainbow (2) breathing (3) color cycle (4) wave (5) glowing Yo-Yo (6) strobing (7) static

Press the Aura RGB Lighting button for 3 seconds to terminate the lighting.

Press it to wake up again or reconnect your powerbank will keep its previous setting.

**NOTE:** Your powerbank may automatically adjust its output when the lighting is terminated. Disconnect and reconnect it if the Aura RGB Lighting cannot wake up after toggling it back on.

- Aura RGB color
  - Press repeatedly to cycle through the following 8 striking colors: (1) red (2) orange (3) yellow (4) green (5) blue (6) indigo (7) purple (8) pink

**NOTE:** This feature is only available on the following Aura RGB e ects: (2) breathing (6) strobing (7) static

- Aura RGB speed: Slow / Medium / Fast

Press repeatedly to cycle through the following 3 color e ect speeds: (1) Slow (2) Medium (3) Fast

**NOTE:** This feature is only available on the following Aura RGB e ects: (1) rainbow (2) breathing (3) color cycle (4) wave (5) glowing Yo-Yo (6) strobing

- Aura RGB brightness: 50% / 75% / 100%

Three brightness levels. The brightness can be switch by simple tap to t the environment lighting and preference.

- Reset to factory mode

Press the button (2) and button (4) simultaneously to reset your chair to its factory defaults.

### F. Adjustable functions

- |                                |  |
|--------------------------------|--|
| 1. Armrest adjustment          | 1. Armrest adjustment                          |
| 2. Headrest adjustment         | ❶ Height adjustment                            |
| 3. Backrest reclining          | ❷ Forward and backward                         |
| 4. Chair height adjustment     | ❸ Rotation adjustment                          |
| 5. Tilt lock                   | ❹ Inward and outward                           |
| 6. Seat rockability adjustment | 2. Headrest adjustment                         |
| 7. Locking caster              | Height adjustment (7cm)                        |
|                                | Please do not excessively raise your headrest. |
|                                | 3. Pull up the lever and slowly lean back.     |
|                                | 4. Chair height adjustment                     |
|                                | 5. Lock/unlock the tilt mechanism              |
|                                | 6. Seat rockability adjustment                 |
|                                | 7. Locking caster                              |

## A. Package Contents

1.	Backrest	5.	Wheels	9.	Hydraulic lift cylinder
2.	Seat base	6.	Side covers with bolts	10.	Telescoping cover
3.	Lumbar cushion	6.	Side covers with bolts	11.	Hex Key
4.	Wheel base	7.	Control unit	12.	Spare bolt

Note: The illustrations are for reference only and may di er from your actual chair in appearance and features.

## B. Assembling your chair

Put on the gloves before installation.

- One by one, insert and push the wheels into the base.
- Insert the hydraulic lift cylinder into the center hole of the base. Remove the red protective cap on top if there was any.
- Place the telescoping cover on the top of the hydraulic lift cylinder.  
Armrests normally do not distinguish sides unless labeled otherwise.  
For models with armrest pre-assembled, please skip this step.
- Remove the pre-assembled bolts and washers (① & ③). Place the 4 large washers (①) between the armrest mounting bar (②) and the seat base. Hold the armrest in place, then insert and tighten all 4 bolts (③). Use the hex key to tighten them all, and repeat on the other side.
- Use the hex key to remove the pre-assembled bolts and washers from the backrest.
- Remove the protective foam covers from the brackets of the seat base. Then position the backrest carefully between the brackets. Insert and attach the 4 bolts (2 on each side) you removed in step 5 by hand rst. Then use the hex key to tighten them. Start with the two bolts on the top of each side, then the bottom two.
- Install the side covers and tighten the bolts. (The covers are marked "L" for the left side and "R" for the right on the inside.)
- Now ip the chair over, facing down. Then remove the 4 pre-mounted bolts from the underside with washers.
- Repeat the step above to install the control unit, and then place the nut to mount the hydraulic lift cylinder facing the back of the seat (where the backrest is installed).
- Insert top of the hydraulic lift cylinder into the mounting hole on the control unit, and then turn the chair over in upright position. (Two-person handling required for your safety)

## C. Installing the Lumbar cushion

The chair and the Lumbar cushion are designed with Velcro fasteners. Attach the Lumbar cushion to the chair using the Velcro fasteners.

## D. Lighting up your chair

- Place your power bank into the packet at the back of the chair.
- Connect the USB Type-A connector to your power bank.

The packet is attached to your chair with Velcro. You can easily remove and take it away.

## E. Other features

- Hanger at the back of the chair for hanging your bags, clothes, cups and more.

Maximum load: 2kg

Please do not hang items over 2kg.

- Using the RGB controller

Rating: 5V=1A

**DO NOT remove the non-detachable controller as this will void the warranty.**

- Aura RGB Lighting: On / E ect / O

Press repeatedly to power the Aura RGB LEDs on or o , or cycle through the current 7 e cts: (1) rainbow (2) breathing (3) color cycle (4) wave (5) glowing Yo-Yo (6) strobing (7) static

Press the Aura RGB Lighting button for 3 seconds to terminate the lighting.

Press it to wake up again or reconnect your powerbank will keep its previous setting.

---

**NOTE:** Your powerbank may automatically adjust its output when the lighting is terminated. Disconnect and reconnect it if the Aura RGB Lighting cannot wake up after toggling it back on.

- Aura RGB color

Press repeatedly to cycle through the following 8 striking colors: (1) red (2) orange (3) yellow (4) green (5) blue (6) indigo (7) purple (8) pink

---

**NOTE:** This feature is only available on the following Aura RGB e cts: (2) breathing (6) strobing (7) static

- Aura RGB speed: Slow / Medium / Fast

Press repeatedly to cycle through the following 3 color e ct speeds: (1) Slow (2) Medium (3) Fast

---

**NOTE:** This feature is only available on the following Aura RGB e cts: (1) rainbow (2) breathing (3) color cycle (4) wave (5) glowing Yo-Yo (6) strobing

- Aura RGB brightness: 50% / 75% / 100%

Three brightness levels. The brightness can be switch by simple tap to t the environment lighting and preference.

- Reset to factory mode

Press the button (2) and button (4) simultaneously to reset your chair to its factory defaults.

## F. Adjustable functions

- Armrest adjustment
- Headrest adjustment
- Backrest reclining
- Chair height adjustment
- Tilt lock
- Seat rockability adjustment
- Locking caster
- Armrest adjustment

- ① Height adjustment

- ② Forward and backward

- ③ Rotation adjustment

- ④ Inward and outward

2. Headrest adjustment

Height adjustment (7cm)

Please do not excessively raise your headrest.

3. Pull up the lever and slowly lean back.

4. Chair height adjustment

5. Lock/unlock the tilt mechanism

6. Seat rockability adjustment

7. Locking caster