

AVM-1 sense microphone

Product Overview

The AVM-1 sense microphone mounts discreetly into ceilings and provides an analog output over a balanced audio connection. Designed for use with AutoVolume compensation, as featured in select Bose sound processors, the microphone delivers a continuous ambient room noise reference. This allows the AutoVolume algorithm to adjust output zone levels automatically based on activity in the room.

Key Features

Discreet, flush-mounted design blends seamlessly into common ceiling surfaces

Omnidirectional condenser microphone capsule operates on phantom power and can be located up to 610 meters (2,000 feet) away from the sound processor

Spring clips help make installation easy while keeping the microphone firmly in place

Condensation cover protects wire terminals from moisture collection and ensures sustained operation in above-ceiling mounting locations

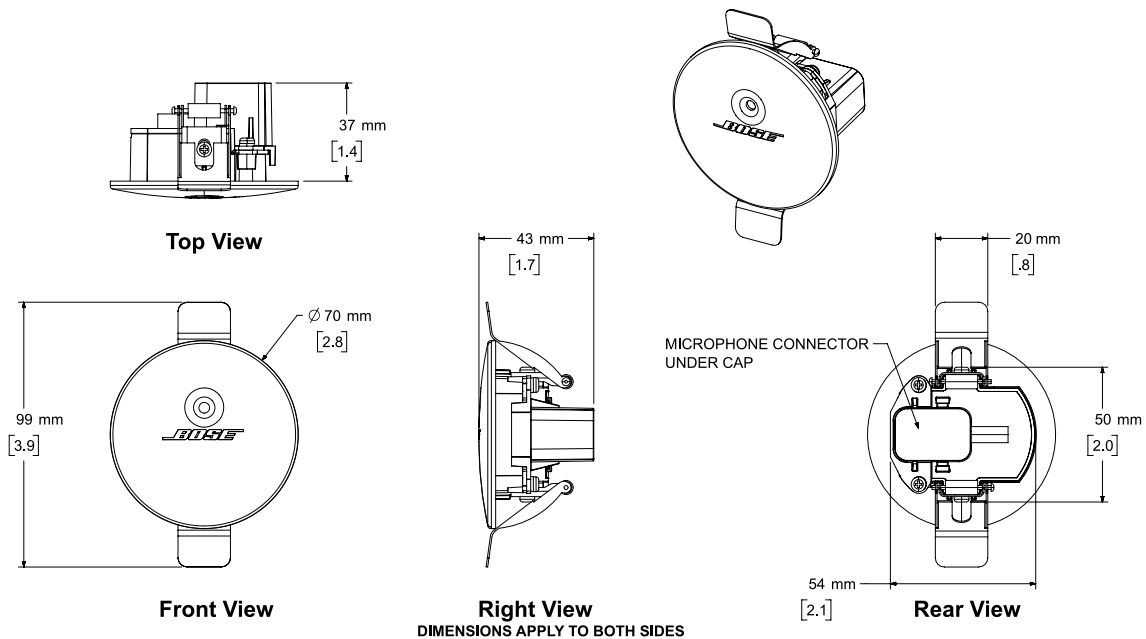


Product Code

AVM-1 sense microphone 808461-0110

Technical Specifications

Microphone type	Condenser, requires +48V phantom power
Output	3-pin balanced, connector (fixed terminal)
Compatible with	Bose CSP processors (CSP-1248, CSP-428)



NOTES:
1. DIMENSIONS ARE IN MILLIMETERS OVER INCHES