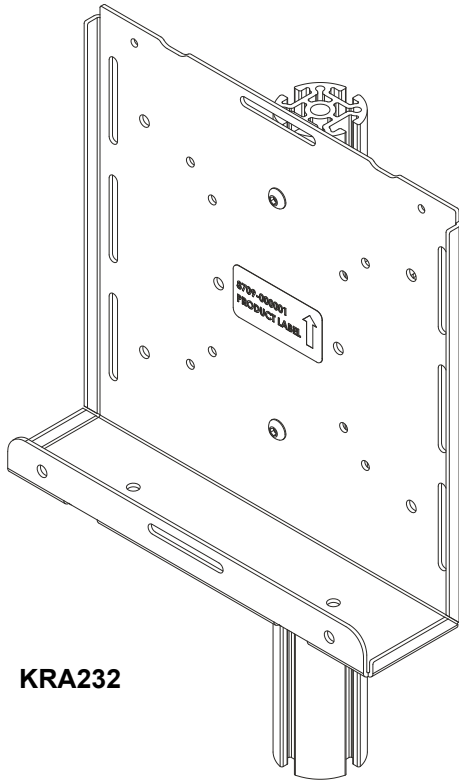
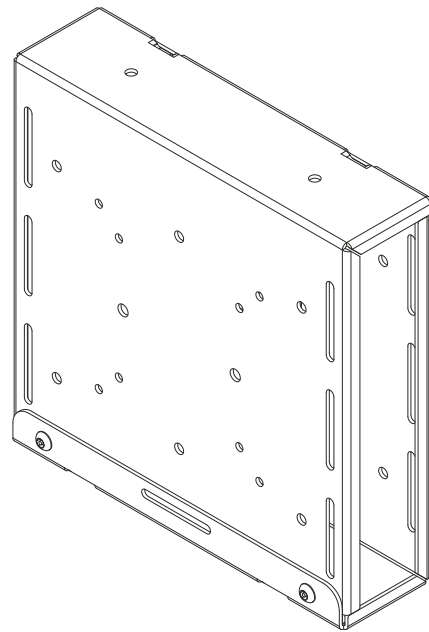


INSTALLATION INSTRUCTIONS



KRA232



KRA233

Thin Client Storage Accessory

DISCLAIMER

Legrand | AV and its affiliated corporations and subsidiaries (collectively "Legrand | AV"), intend to make this manual accurate and complete. However, Legrand | AV makes no claim that the information contained herein covers all details, conditions or variations, nor does it provide for every possible contingency in connection with the installation or use of this product. The information contained in this document is subject to change without notice or obligation of any kind. Legrand | AV makes no representation of warranty, expressed or implied, regarding the information contained herein. Legrand | AV assumes no responsibility for accuracy, completeness or sufficiency of the information contained in this document.

DEFINITIONS

MOUNTING SYSTEM: A MOUNTING SYSTEM is the primary Chief product to which an accessory and/or component is attached.

ACCESSORY: AN ACCESSORY is the secondary Chief product which is attached to a primary Chief product, and may have a component attached or setting on it.

COMPONENT: A COMPONENT is an audiovisual item designed to be attached or resting on an accessory or mounting system such as a video camera, CPU, screen, display, projector, etc.



WARNING: A WARNING alerts you to the possibility of serious injury or death if you do not follow the instructions.



CAUTION: A CAUTION alerts you to the possibility of damage or destruction of equipment if you do not follow the corresponding instructions.



IMPORTANT SAFETY INSTRUCTIONS



WARNING: Failure to read, thoroughly understand, and follow all instructions can result in serious personal injury, damage to equipment, or voiding of factory warranty! It is the installer's responsibility to make sure all accessories are properly assembled and installed using the instructions provided.



WARNING: Exceeding the weight capacity can result in serious personal injury or damage to equipment! It is the installer's responsibility to make sure the combined weight of all components located within the mounting system of the KRA232/233 does not exceed 3 lbs (1.36 kg).



WARNING: Use of this accessory will decrease the weight capacity of the mounting system to which it is attached by the combined weight of the accessory and all components supported by this accessory. See Figure below for reference.



WARNING: Use this accessory only for its intended use as described in these instructions. Do not use attachments not recommended by the manufacturer.



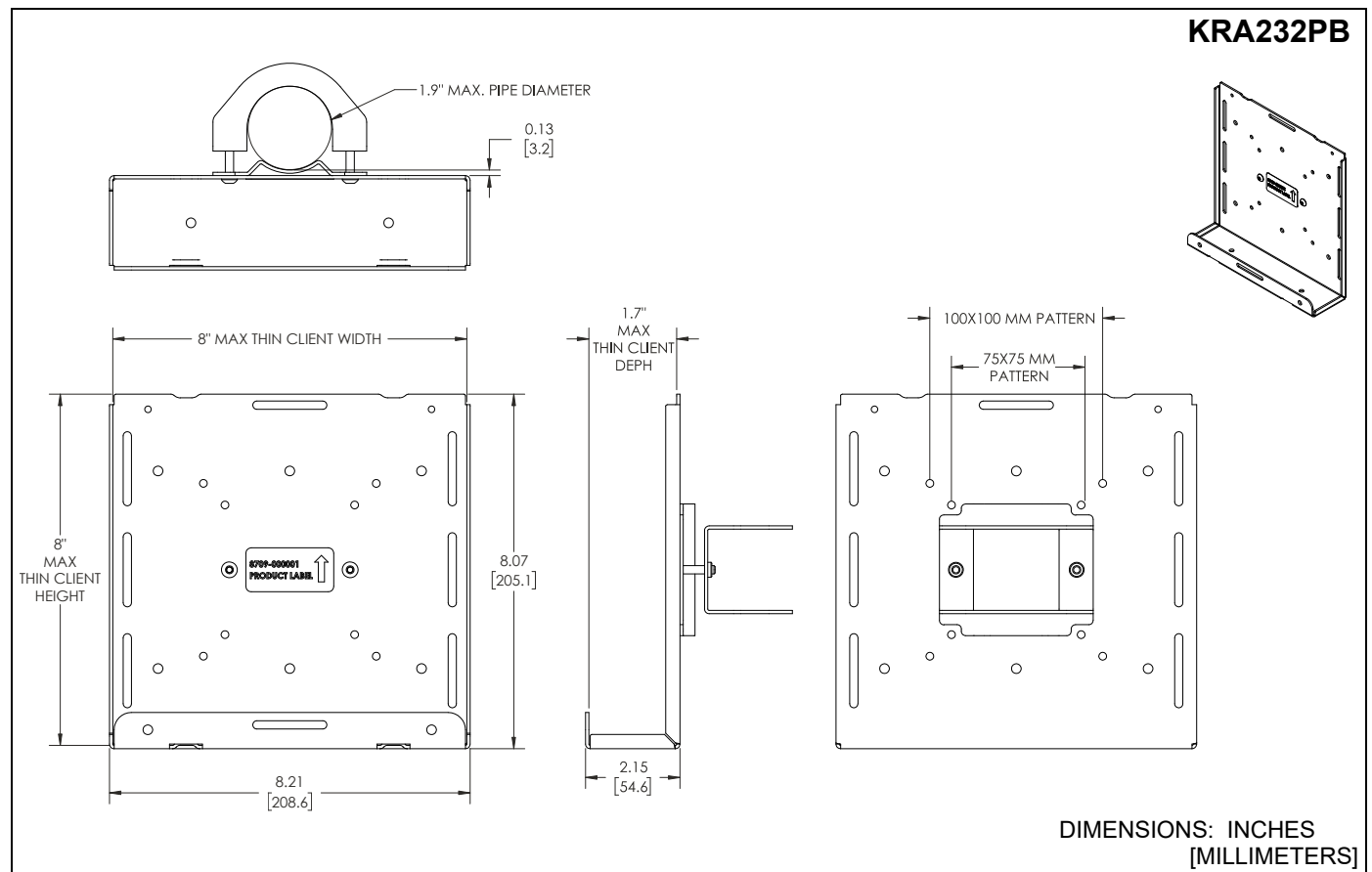
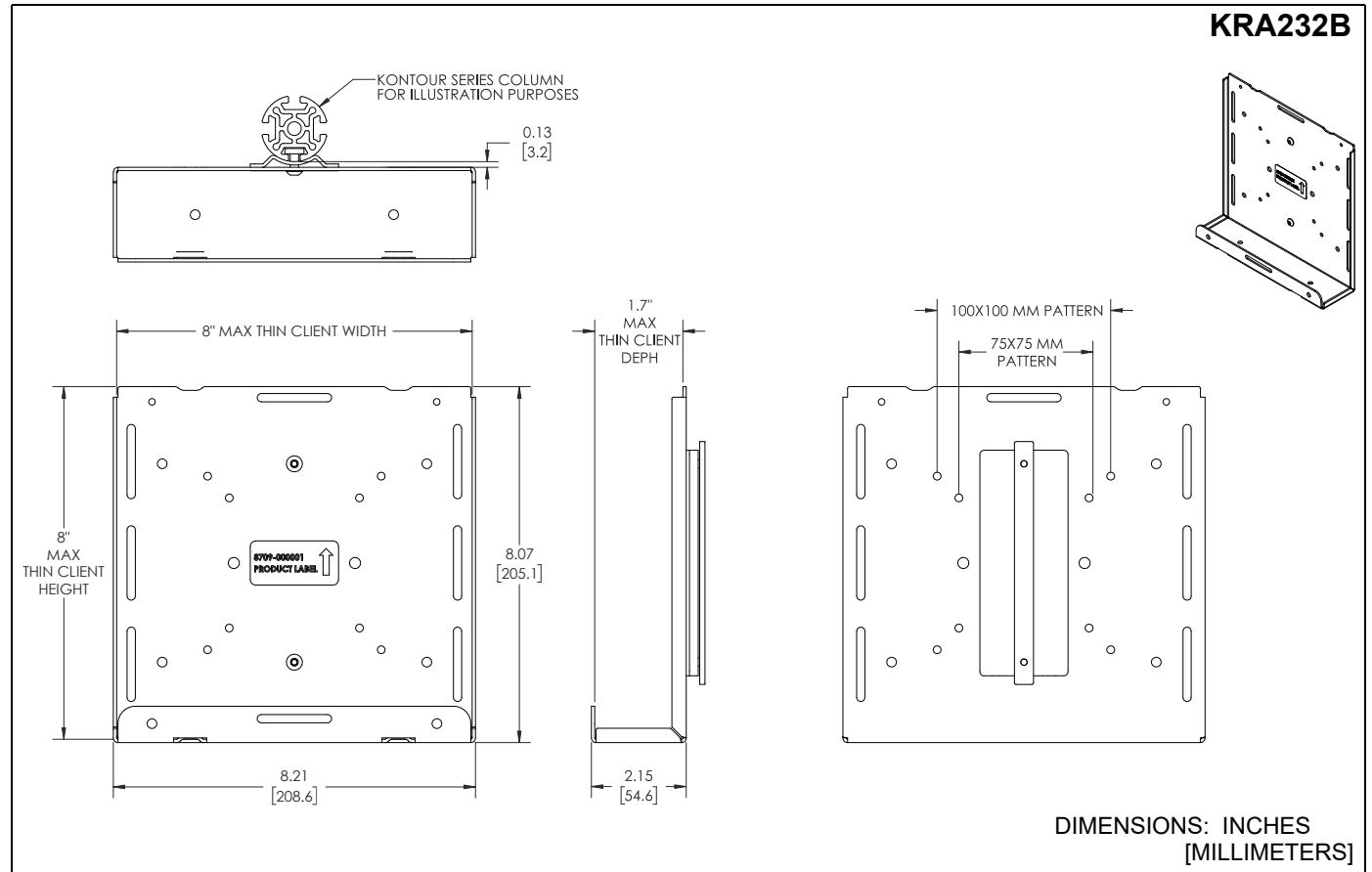
WARNING: Never operate this accessory if it is damaged. Return the accessory to a service center for examination and repair.



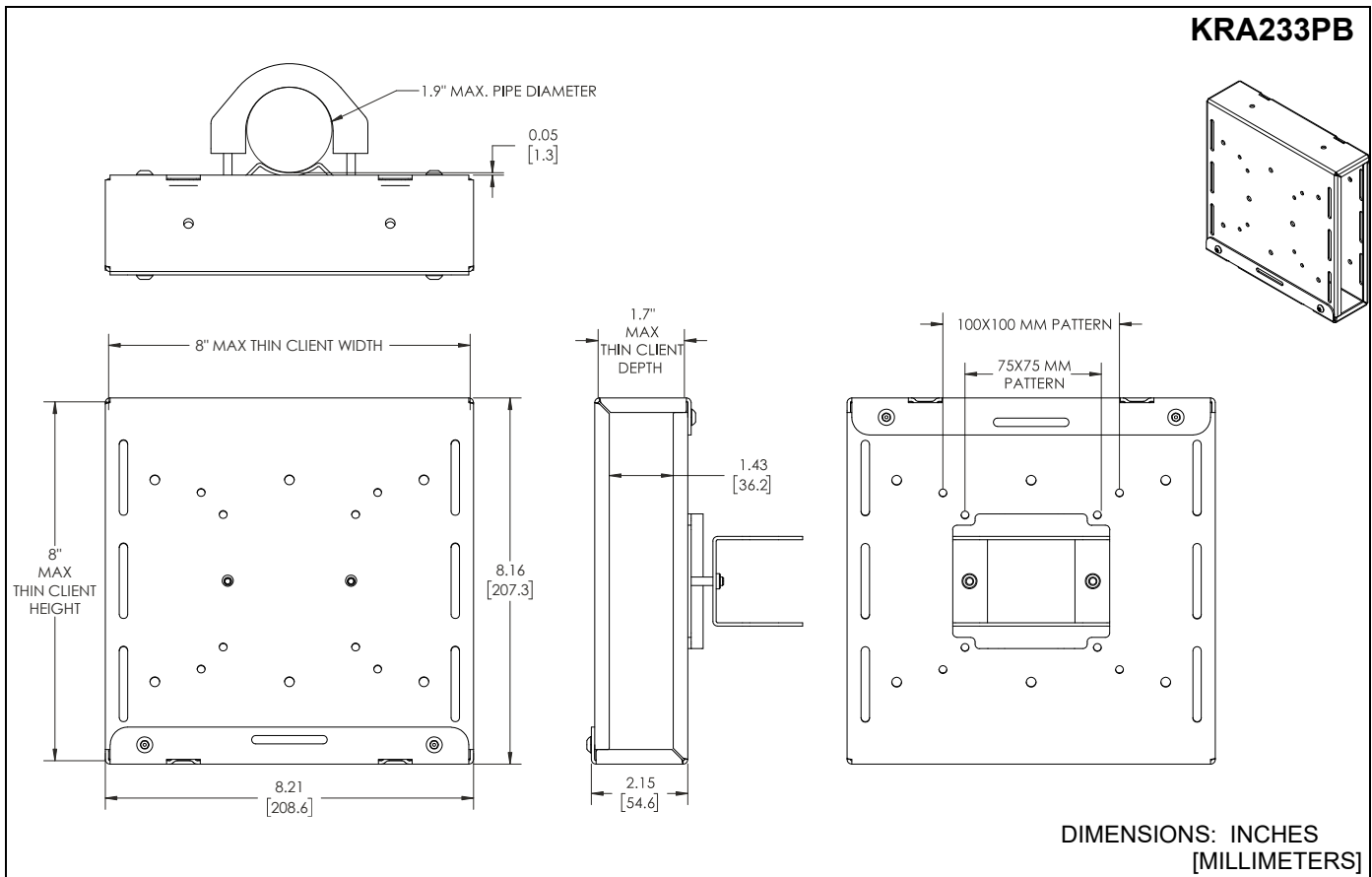
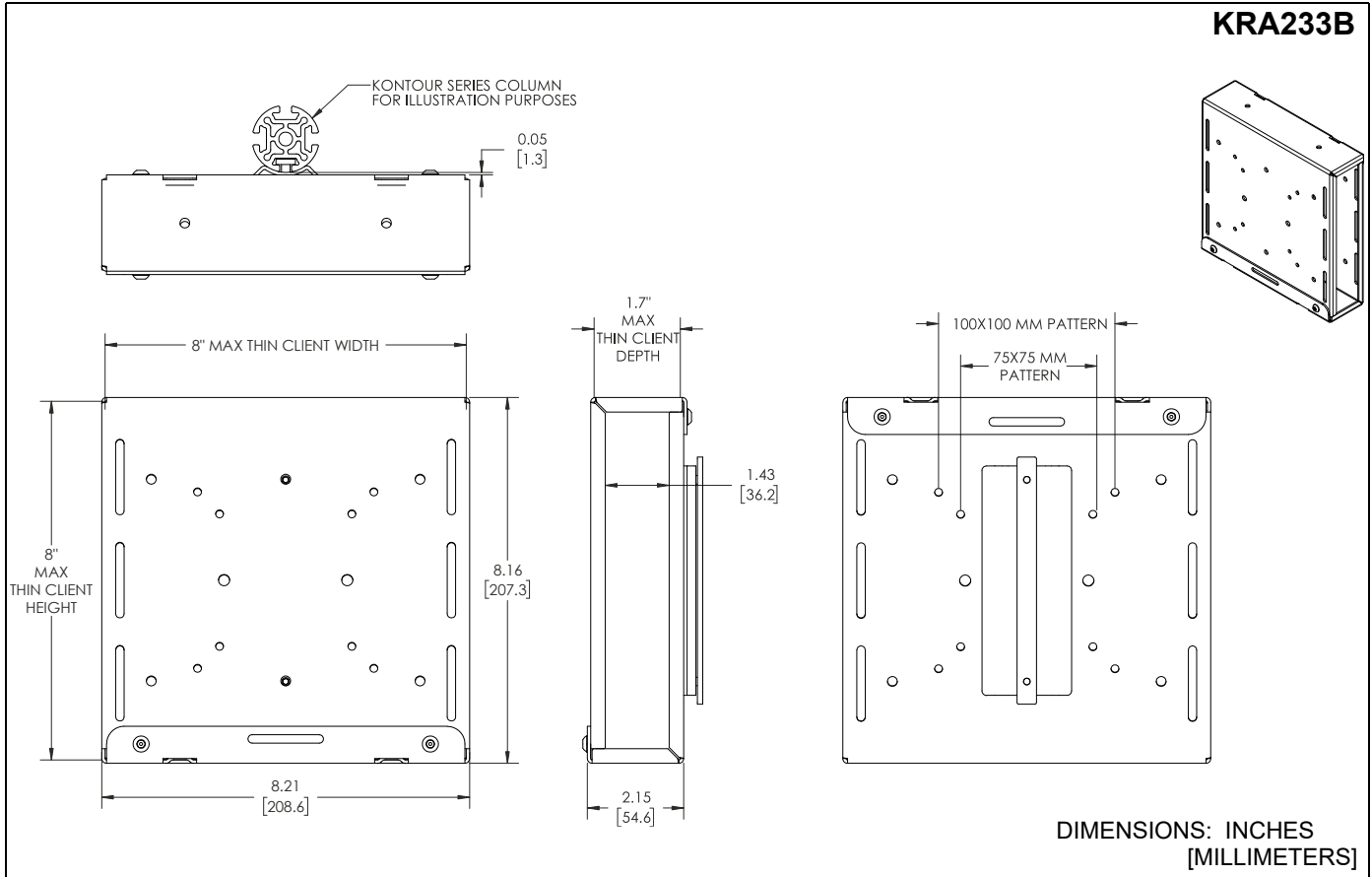
WARNING: Do not use this product outdoors.

--SAVE THESE INSTRUCTIONS--

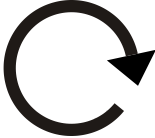

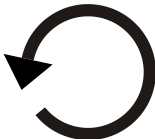



DIMENSIONS



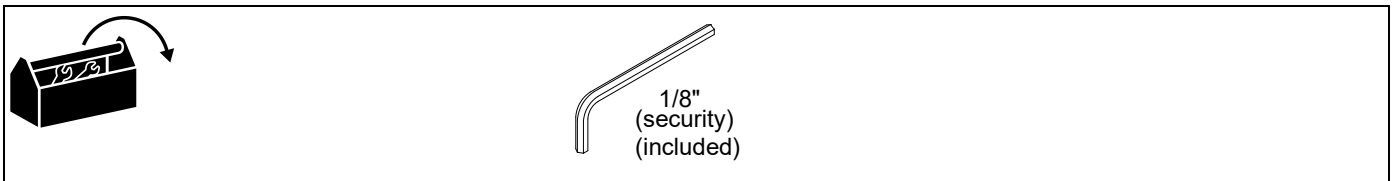
DIMENSIONS (CONTINUED)



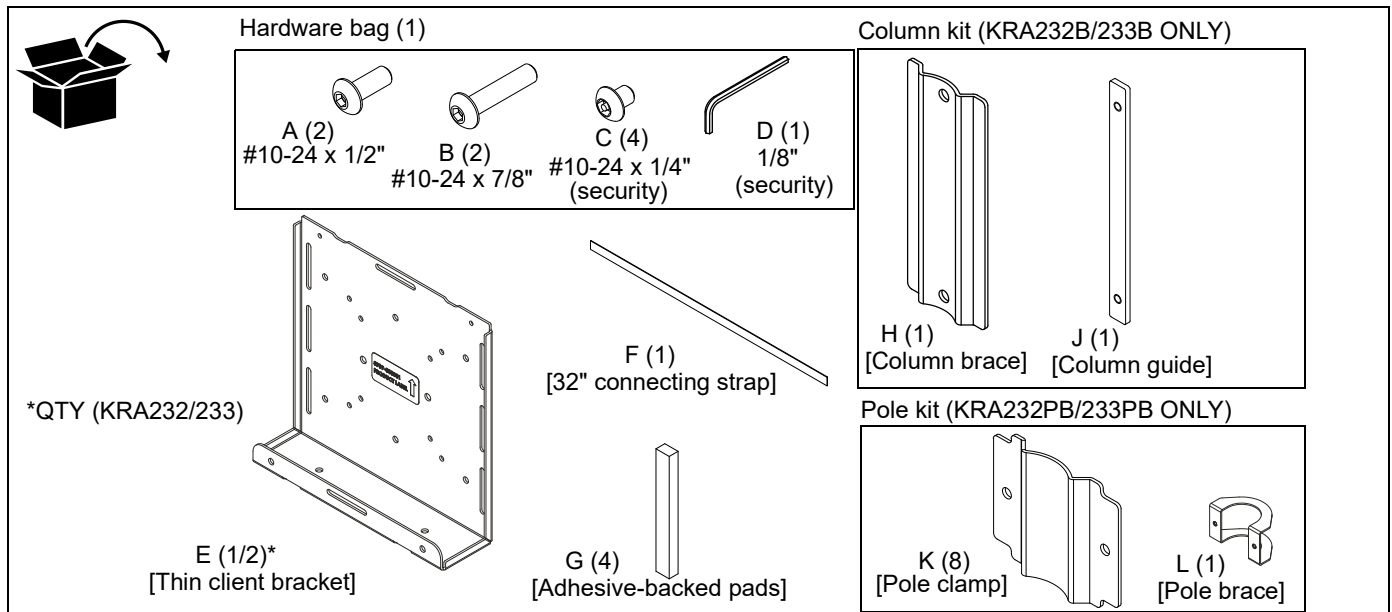
LEGEND

	<p>Tighten Fastener Apretar elemento de fijación Befestigungsteil festziehen Apertar fixador Serrare il fissaggio Bevestiging vastdraaien Serrez les fixations</p>		<p>Hex-Head Wrench Llave de cabeza hexagonal Sechskantschlüssel Chave de cabeça sextavada Chiave esagonale Zeskantsleutel Clé à tête hexagonale</p>
	<p>Loosen Fastener Aflojar elemento de fijación Befestigungsteil lösen Desapertar fixador Allentare il fissaggio Bevestiging losdraaien Desserrez les fixations</p>		<p>Open-Ended Wrench Llave de boca Gabelschlüssel Chave de bocas Chiave a punte aperte Steeksleutel Clé à fourche</p>
	<p>Phillips Screwdriver Destornillador Phillips Kreuzschlitzschraubendreher Chave de fendas Phillips Cacciavite a stella Kruiskopschroevendraaier Tournevis à pointe cruciforme</p>		<p>Socket Wrench Llave de cubo Steckschlüssel Chave de caixa Chiave a brugola Dopsleutel Clé à douilles</p>

TOOLS REQUIRED FOR INSTALLATION



PARTS



INSTALLATION

NOTE: The KRA232B and KRA233B thin client mounts are compatible with the Kontour™ column mounts only. Proceed to "Installation to Pole" Section for KRA232PB or KRA233PB installation.

Installation to Column (KRA232B/233B)

1. Loosely attach thin client bracket (E) to column brace (H) and column guide (J) using two #10-24 x 1/2" button head cap screws (A). (See Figure 1)

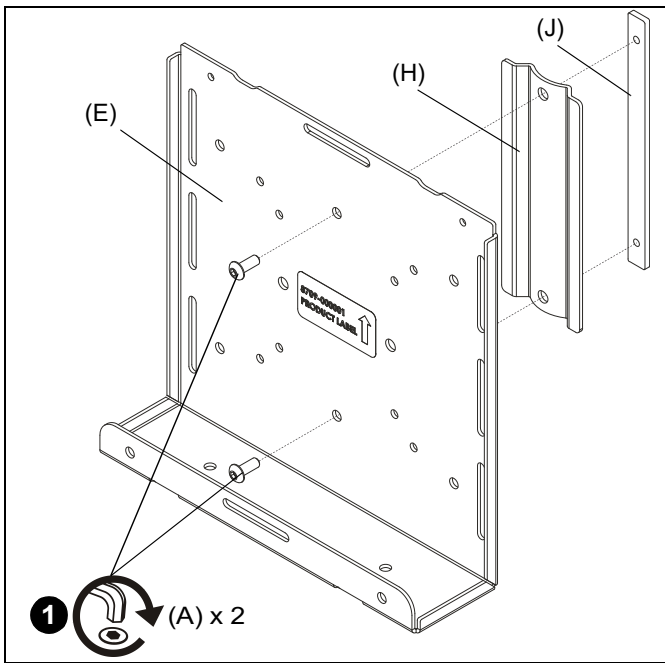


Figure 1

NOTE: Thin client bracket (E) may be offset to either side by using side holes. (See Figure 2)

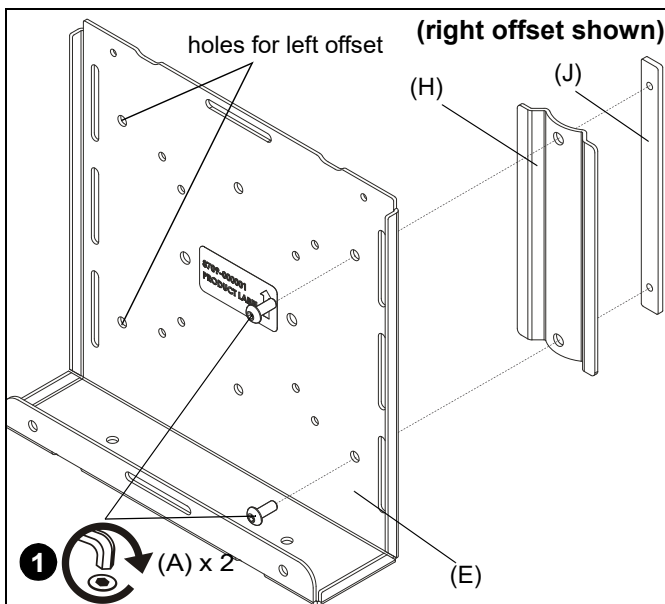


Figure 2

2. Remove column cap from Kontour column. (See Figure 3)
3. Slide column guide (J) into column channel. (See Figure 3)

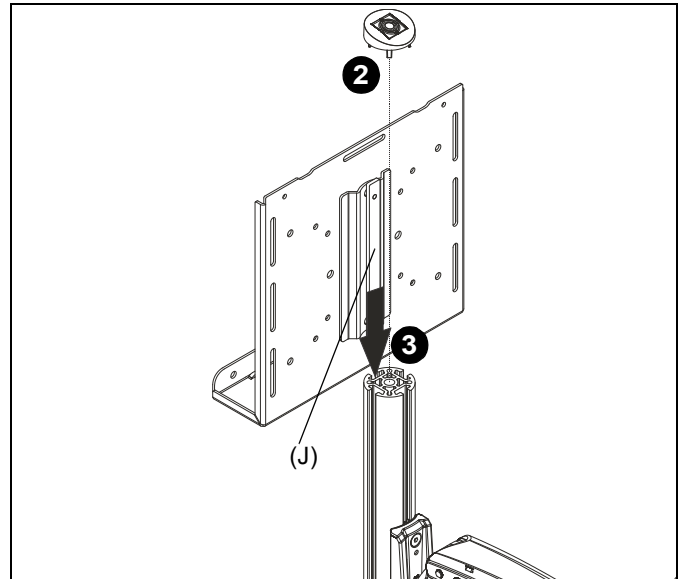


Figure 3

4. Tighten two #10-24 x 1/2" button head cap screws (A) when desired height is reached. (See Figure 4)
5. Re-install column cap to column. (See Figure 4)

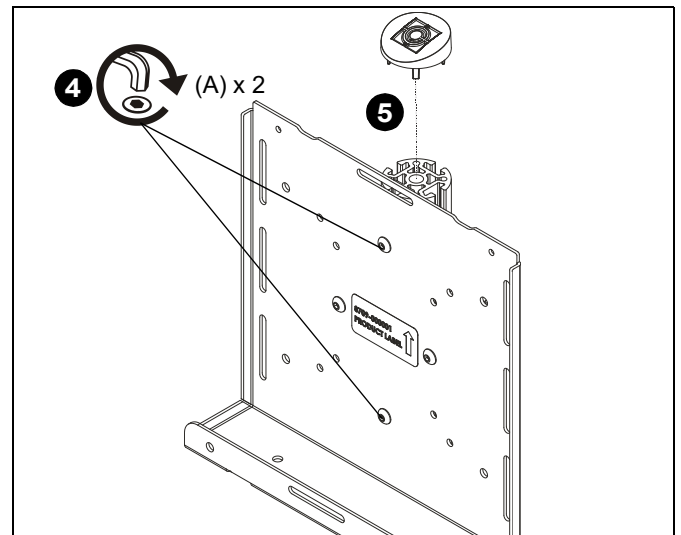


Figure 4

6. Proceed to "Thin Client Installation" Section.

Installation to Pole (KRA232PB/233PB)

1. Use two #10-24 x 7/8" button head cap screws (B) to install thin client bracket (E) to pole clamp (K), pole brace (L) and around pole. (See Figure 5)

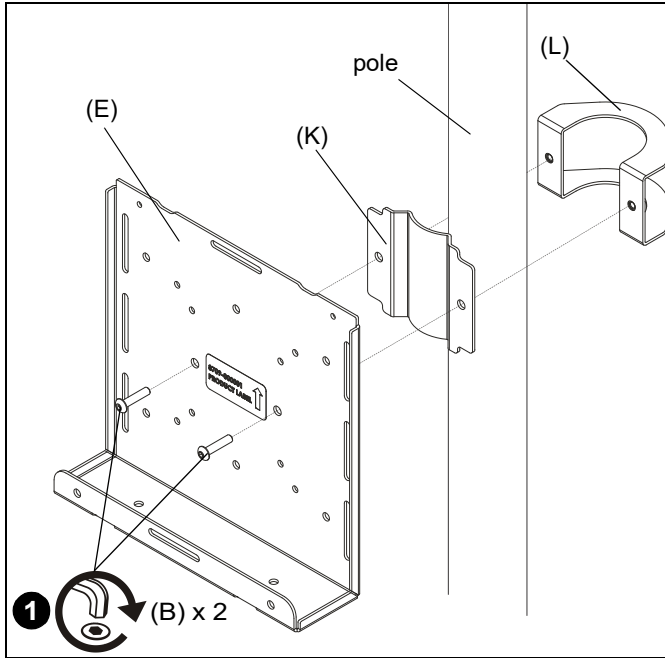


Figure 5

2. Tighten two screws when desired installation height is reached.

Thin Client Installation

NOTE: Thin client installation will vary depending on size and style of device and user preference.

1. (Optional) Attach up to four adhesive-backed pads (G) to inside of thin client bracket(s) (E) as desired. (See Figure 6)

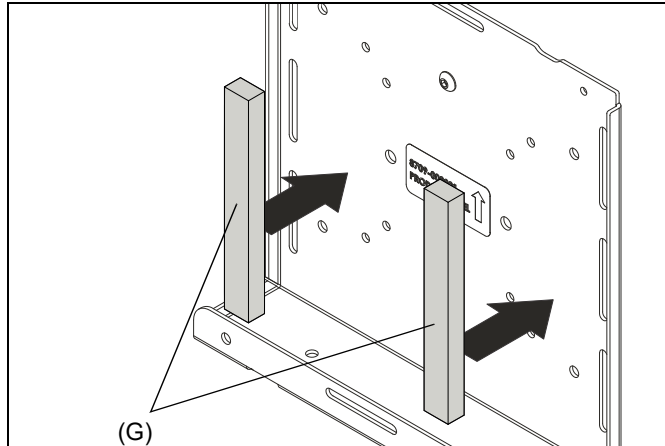


Figure 6

2. (If applicable) Use hardware from thin client device to mount device to bracket (E) using either 75mm or 100mm VESA pattern. (See Figure 7)
3. Carefully place thin client device inside Thin client bracket (E). (See Figure 8)
4. (Optional) Use 32" connecting strap (F) to secure thin client device to thin client bracket (E). (See Figure 8)

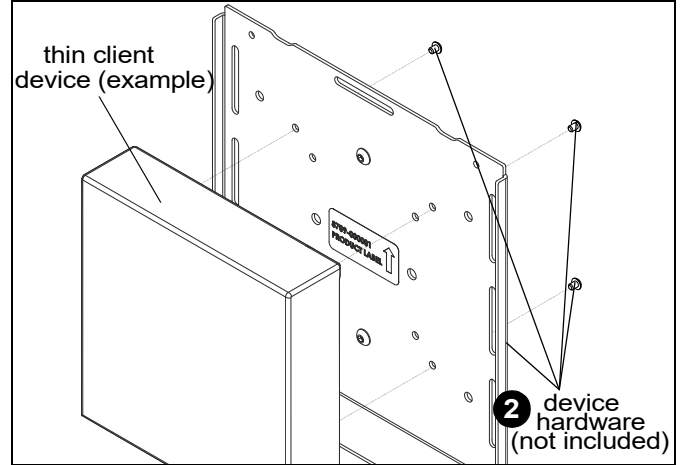


Figure 7

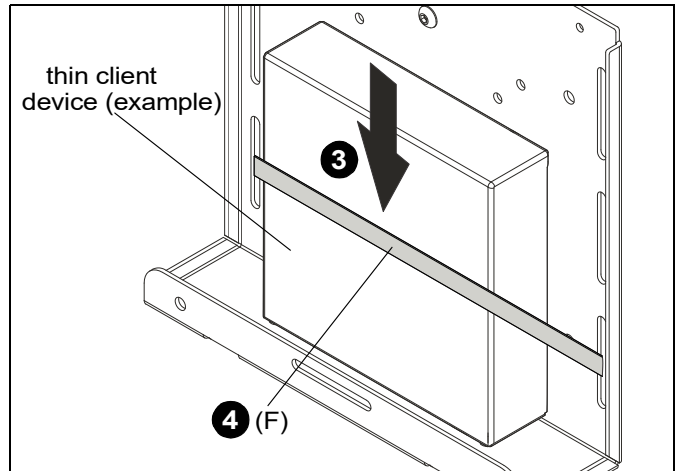


Figure 8

KRA233 Models ONLY

5. Place second thin client bracket (E) on top of first thin client bracket (E), lining up mounting holes. (See Figure 9)
6. Use four #10-24 x 1/4" security screws (C) to secure two brackets (E) together. (See Figure 9)

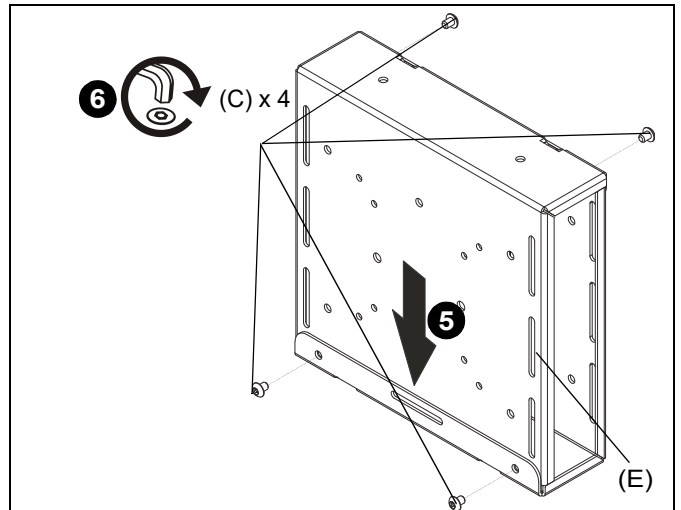


Figure 9



A brand of  **legrand**

8800-003112 Rev01
©2019 Legrand | AV
www.legrandav.com
02/19

USA/International	A 6436 City West Parkway, Eden Prairie, MN 55344 P 800.582.6480 / 952.225.6000 F 877.894.6918 / 952.894.6918
Europe	A Franklinstraat 14, 6003 DK Weert, Netherlands P +31 (0) 495 580 852 F +31 (0) 495 580 845
Asia Pacific	A Office No. 918 on 9/F, Shatin Galleria 18-24 Shan Mei Street Fotan, Shatin, Hong Kong P 852 2145 4099 F 852 2145 4477

