

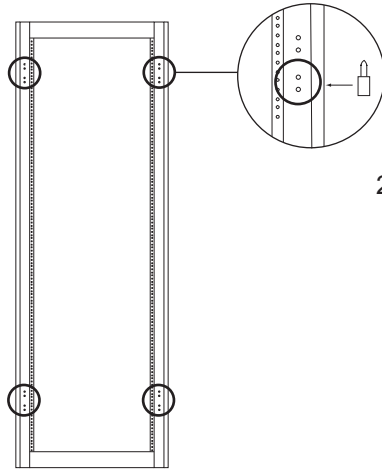
# UNIVERSAL FRONT DOOR HINGE INSTALLATION

## TOOLS REQUIRED

Hex Key (Provided)  
#2 Phillips Driver

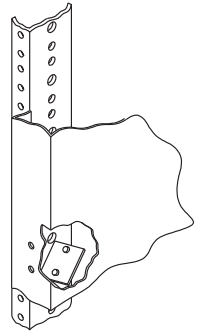
- 1) Determine door swing in order to know what side to install hinges. **(FIGURE A)**

**NOTE:** If two sets of mounting holes are present, use the lower holes.



**FIGURE A**

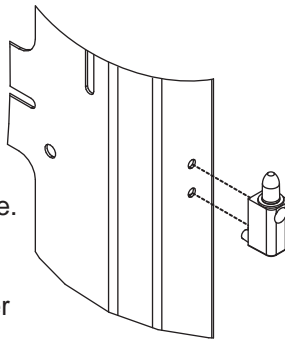
- 2) Knock out cover plate (if installed) and discard. **(FIGURE B)**



**FIGURE B**

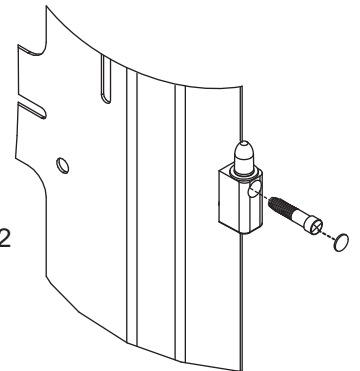
- 3) Install male hinge to the enclosure. **(FIGURE C)**

**NOTE:** Hinge post ships with washer preinstalled. If the washer has come off during shipping, it must be reinstalled.



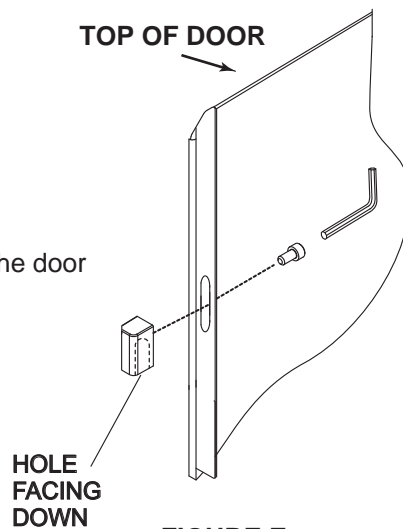
**FIGURE C**

- 4) Install screws using a #2 Phillips driver. Install decorative cap. **(FIGURE D)**



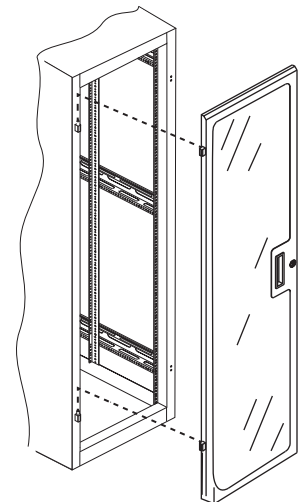
**FIGURE D**

- 5) Install female hinge to the door using provided hex key. **(FIGURE E)**



**FIGURE E**

- 6) Install the door. **(FIGURE F)**



**FIGURE F**