





Mounting instructions for Professional extendable projector mount  
 Fits to flat ceiling  
 Maximum projector fixing points up to 630mm x 325mm - Up to 25Kgs


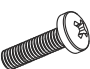



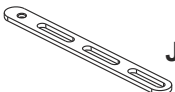
Model No. **PMVMOUNT7** Factory No. **Z0874FIX1M**

Read these instructions carefully before installing your equipment.  
 Install the mount in a suitable location using fixings which are appropriate for the ceiling material and structure. Consult a qualified builder if you're in any doubt as to the structural integrity of the ceiling.  
 Do not attempt to alter or modify any part of the ceiling mount or its attachments.  
 Do not use if any parts are broken or appear to be damaged.  
 Tighten all bolts and fixings securely. Only use fixings provided with this bracket.  
 Do not mount your projector close to sources of heat or moisture.  
 Always have a minimum of two persons to install the projector on to the mount.

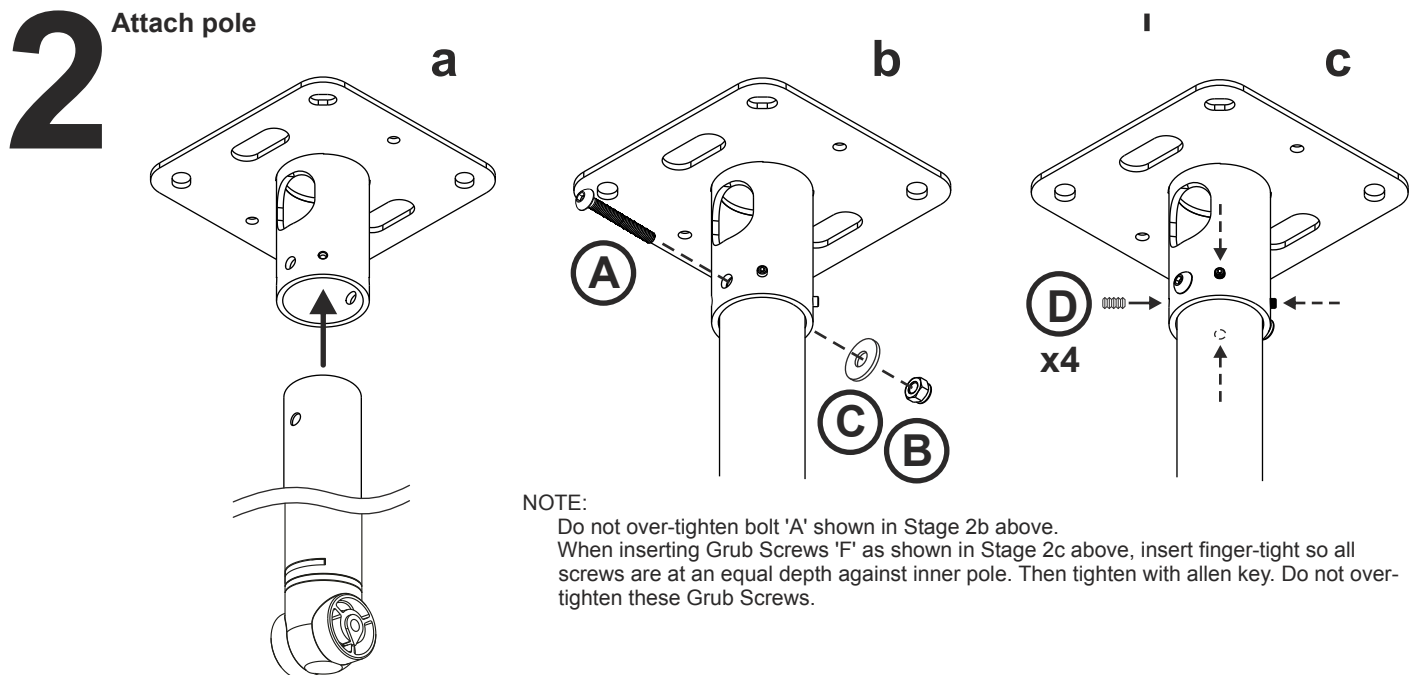
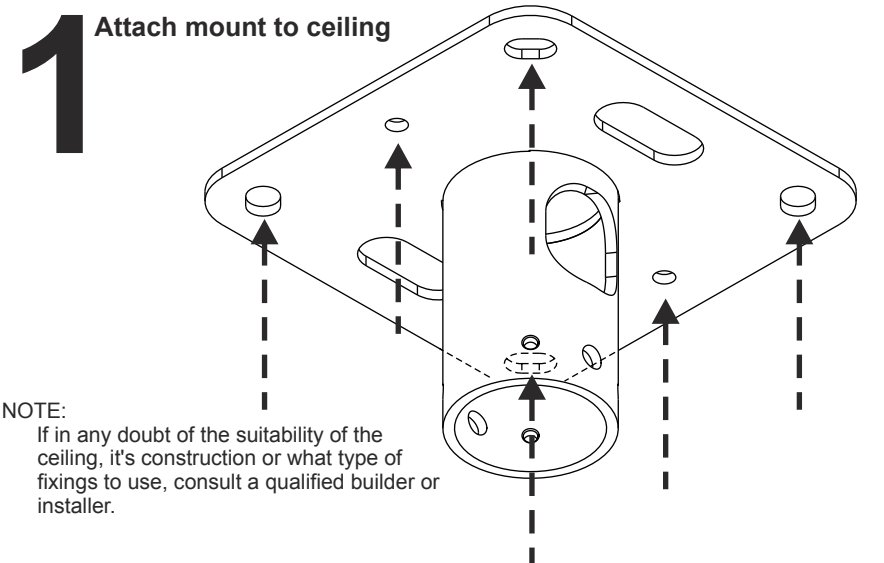
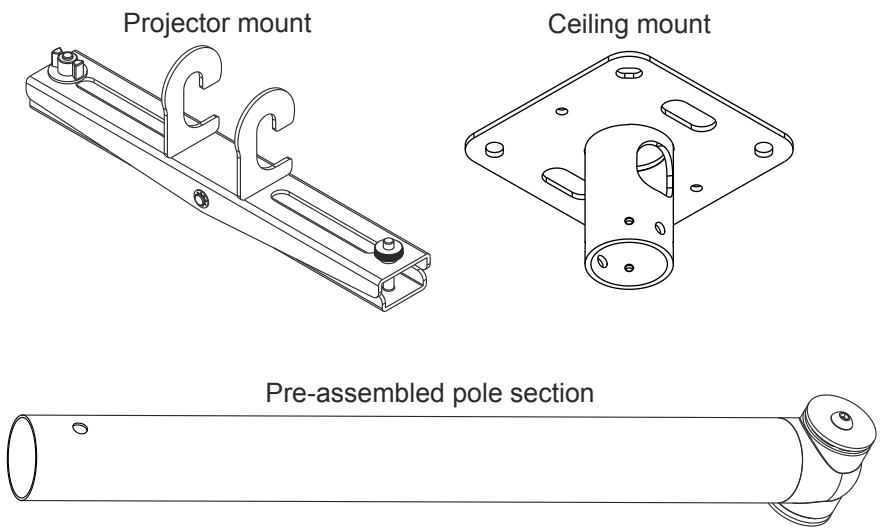
## Projector Mount assembly kit

	<b>A</b> - Button head bolt M8 x 75mm	<b>x1</b>
	<b>B</b> - Nut M8	<b>x1</b>
	<b>C</b> - Washer M8	<b>x1</b>
	<b>D</b> - Grub screw M6 x 8mm	<b>x4</b>

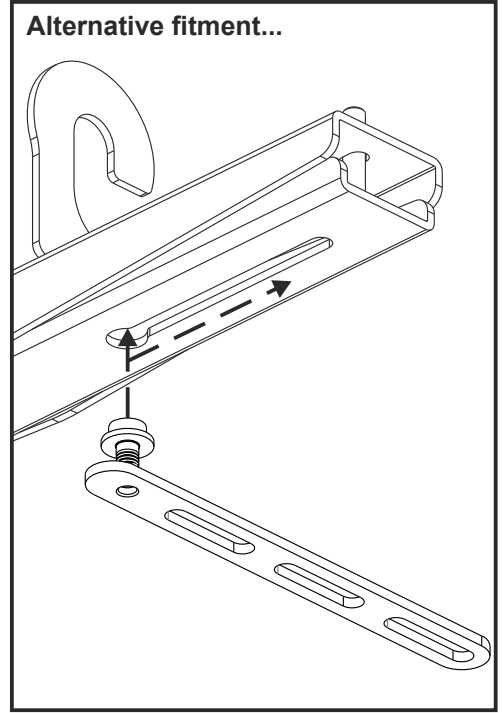
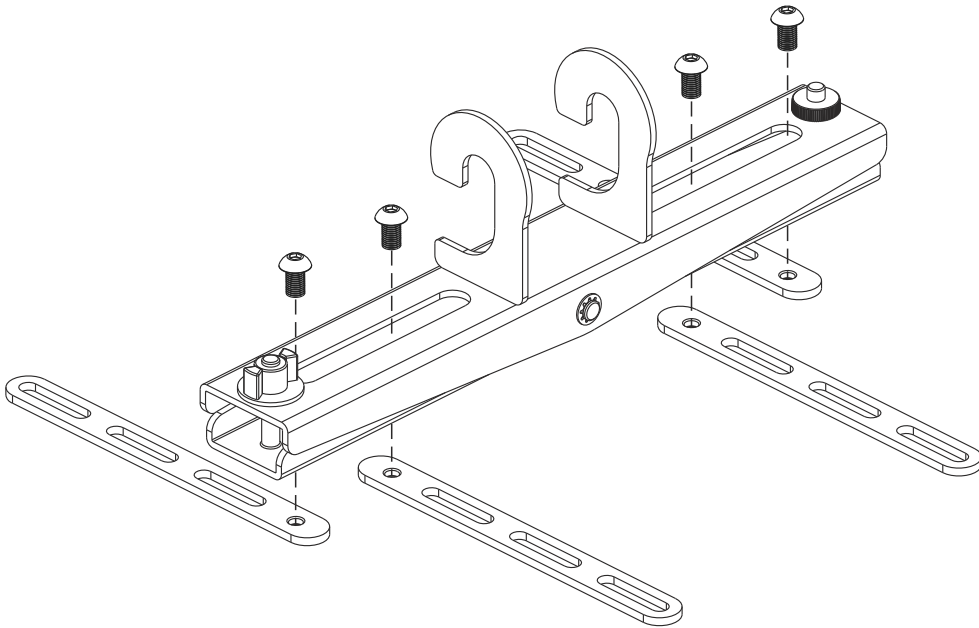
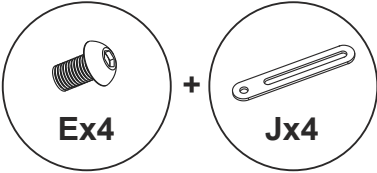
## Projector Fixing Kit

	<b>E</b> - Button head screw M6 x 8mm	<b>x4</b>
	<b>F</b> - Screw M3 x 10mm M4 x 10mm M5 x 10mm M6 x 10mm	<b>x4</b> <b>x4</b> <b>x4</b> <b>x4</b>
	<b>G</b> - Screw M3 x 25mm M4 x 25mm M5 x 25mm M6 x 25mm	<b>x4</b> <b>x4</b> <b>x4</b> <b>x4</b>
	<b>H</b> - Washer M3, M4, M5, M6	<b>x4</b> <b>x4</b> <b>x4</b> <b>x4</b>
	<b>I</b> - Spacer	<b>x20</b>
	<b>J</b> - Struts Short, Medium, Long	<b>x2</b> of each

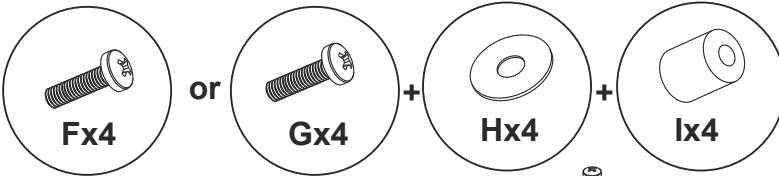
## Projector Mount assembly parts



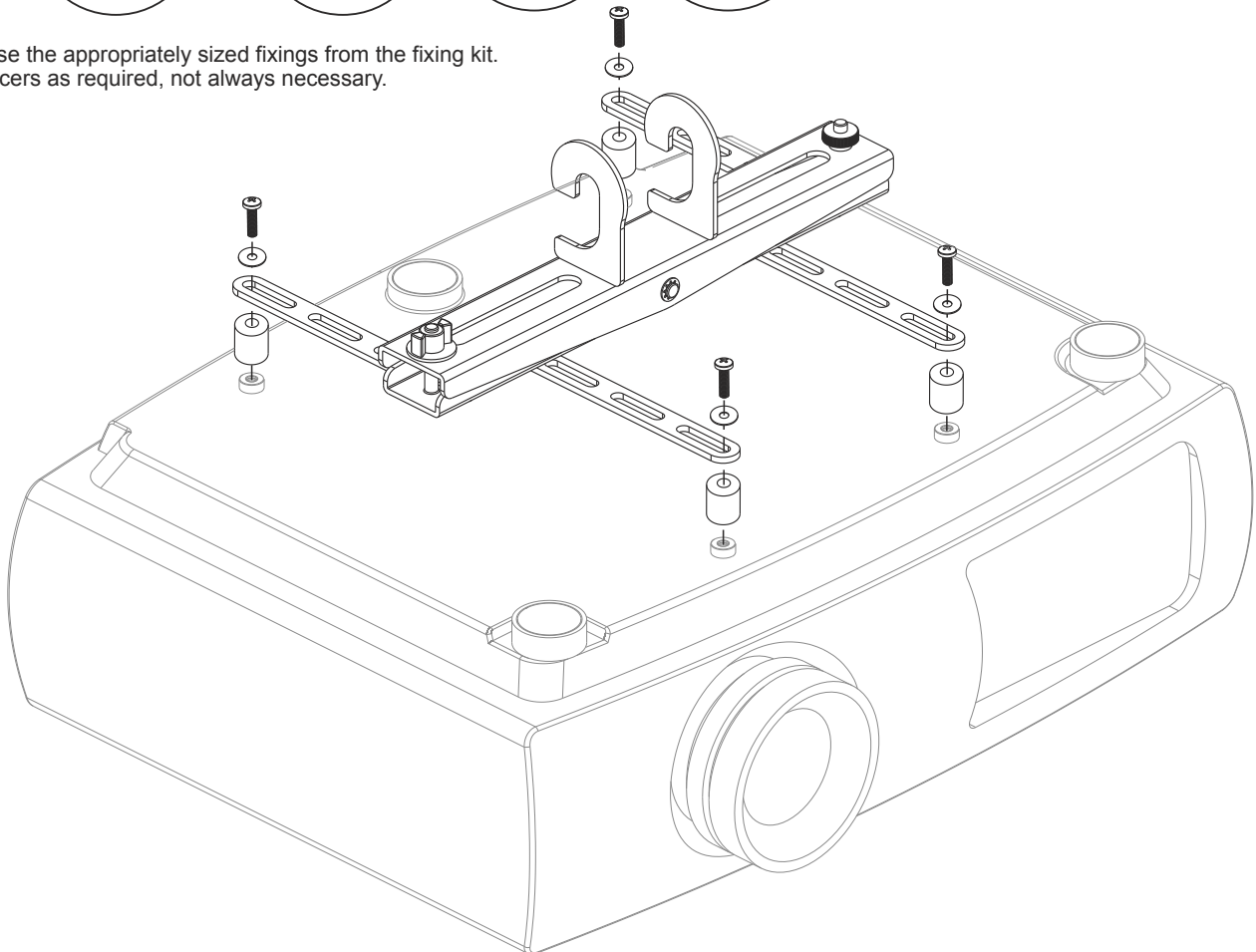
## 2 Attach struts to projector mount



## 3 Attach projector mount and struts to all threads



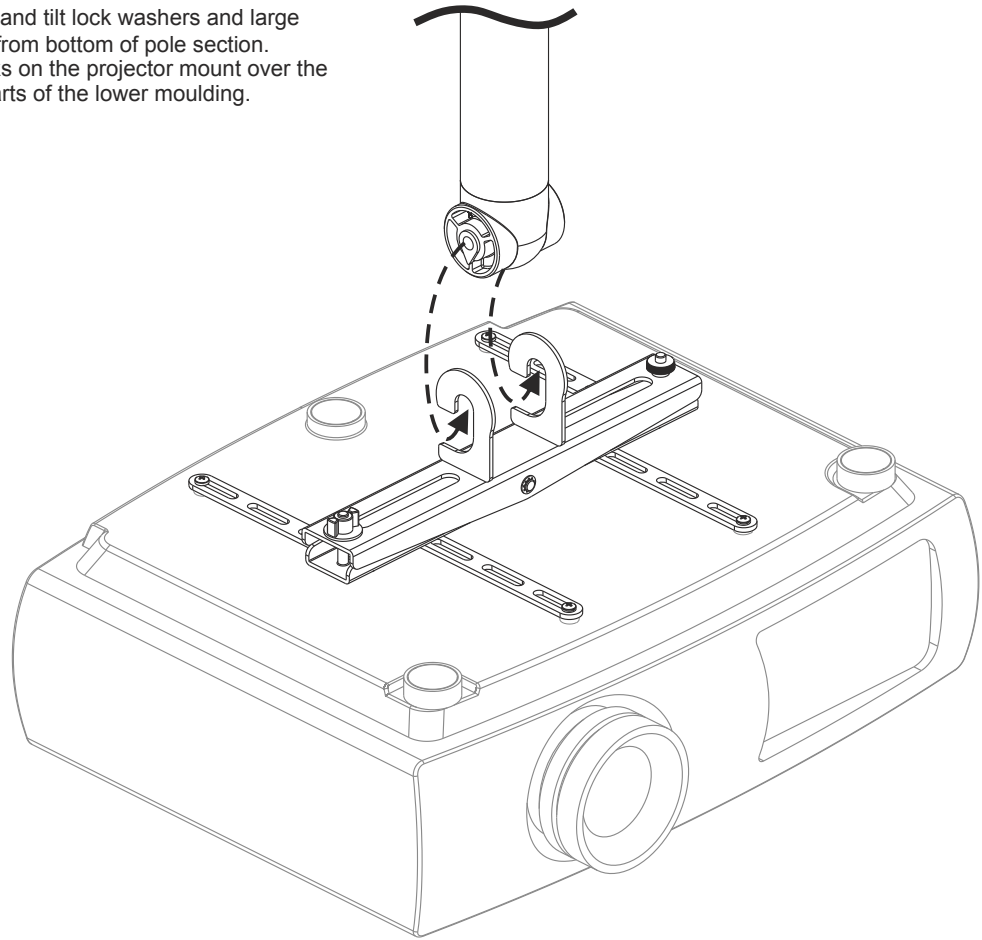
**Note:** Use the appropriately sized fixings from the fixing kit. Use spacers as required, not always necessary.



# 4

## Attach projector mount to pole section

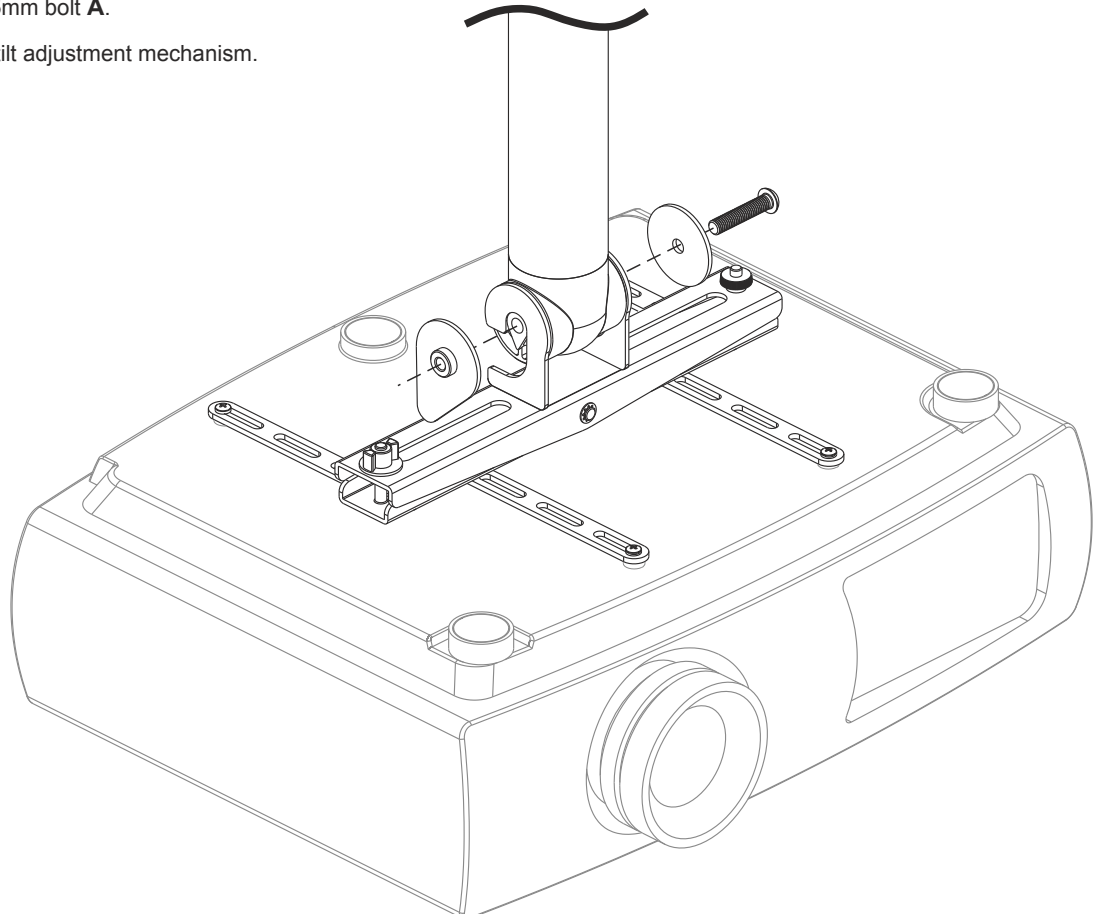
**A:** Remove both tilt and tilt lock washers and large M8 x 75mm bolt from bottom of pole section. Position the hooks on the projector mount over the corresponding parts of the lower moulding.



**Continued...**

**B:** Position both tilt and tilt locking washers and insert large M8 x 75mm bolt **A**.

**Note:** This is the tilt adjustment mechanism.

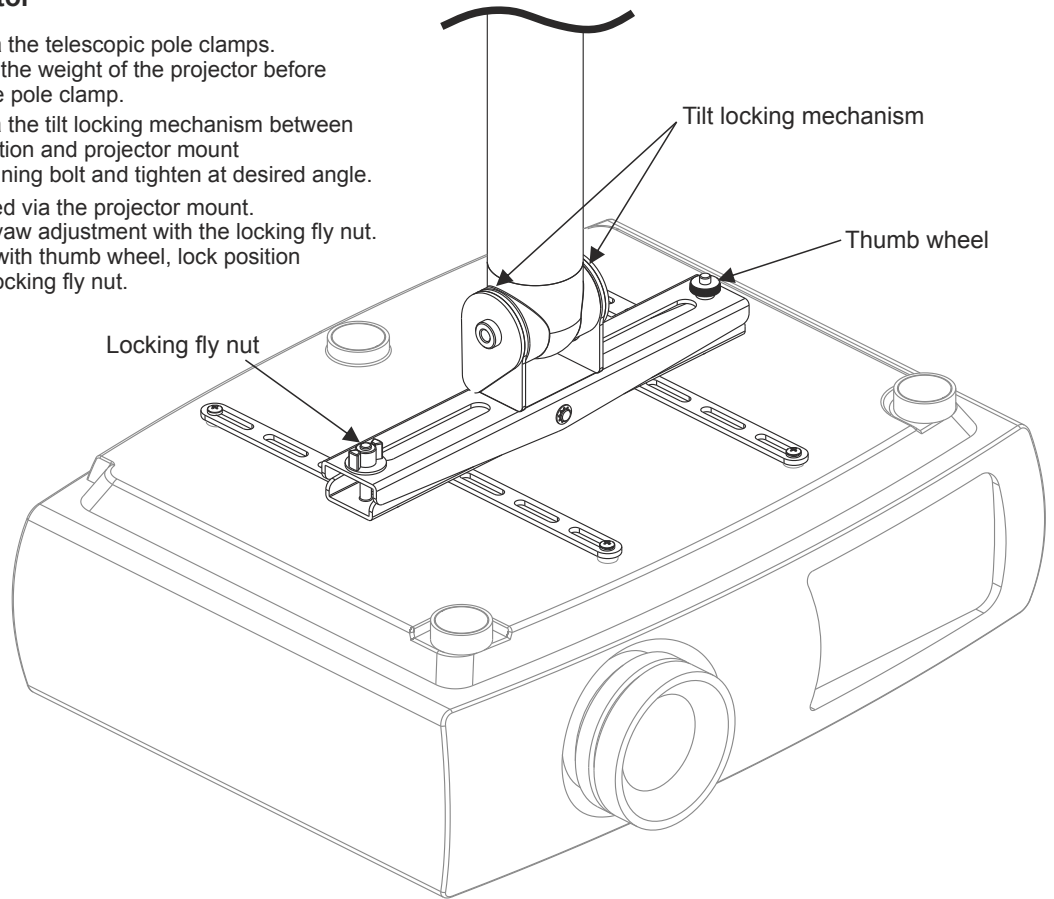


# 5 Adjust the projector

**Rotation:** Adjusted via the telescopic pole clamps.  
Always take the weight of the projector before releasing the pole clamp.

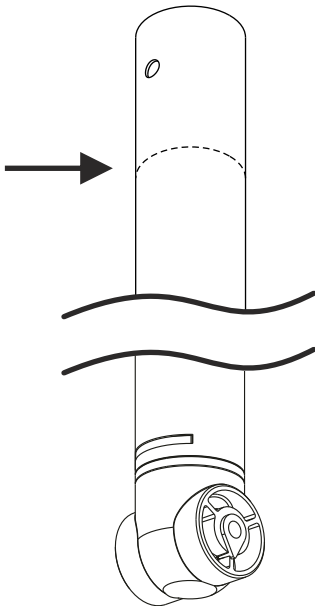
**Tilt:** Adjusted via the tilt locking mechanism between the pole section and projector mount.  
Loosen retaining bolt and tighten at desired angle.

**Yaw:** Fine adjusted via the projector mount.  
Unlock the yaw adjustment with the locking fly nut.  
Adjust yaw with thumb wheel, lock position again with locking fly nut.

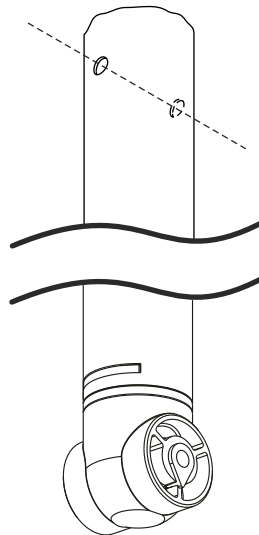


# 6 Shortening main pole

**a** Cut pole from top



**b** Re-drill 9mm hole through approx 30mm from pole top



**c** Assemble pole as described in Stage 2.

