

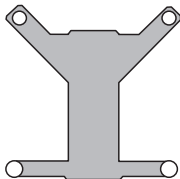
ScreenBeam 960 Mounting Kit

Catalog number: SB960MOUNT

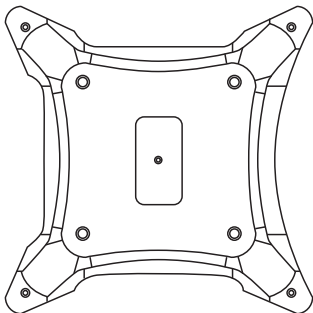
After completing the following steps, you will be able to attach ScreenBeam 960 to most metal surfaces magnetically. If a metal surface is not available, you may use the optional adhesive.

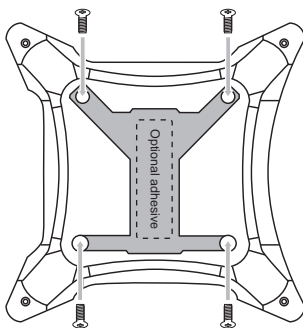
1. Place the magnetic mounting module onto the bottom of ScreenBeam 960.
2. Align the four screw holes of the magnetic mounting module with ScreenBeam 960's screw holes.
3. Install the provided screws into the screw holes.
4. (Optional) If the metal surface is not available, you can put the provided adhesive onto the mounting module as an alternative.

Magnetic mounting module (Top side up)



ScreenBeam 960 (Bottom side up)





(Optional) If your display is equipped with a 5V / 2A USB port, you may use the provided USB-to-Barrel power cable. If the USB port's power is insufficient, please use the power adapter that came with ScreenBeam 960.

