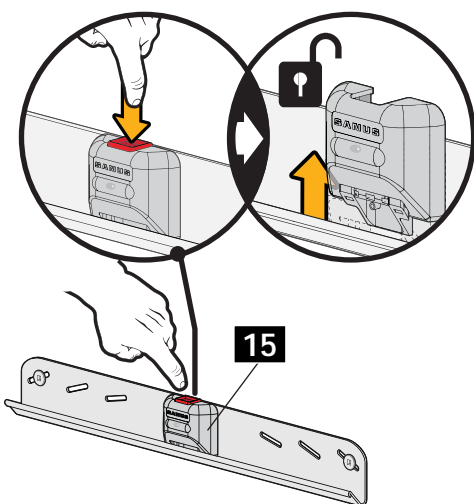


# 3

## Attach TV to Wall Plate

### 3-1 Unlock the Wall Plate

Press the button on wall plate **15** to release the safety latch.

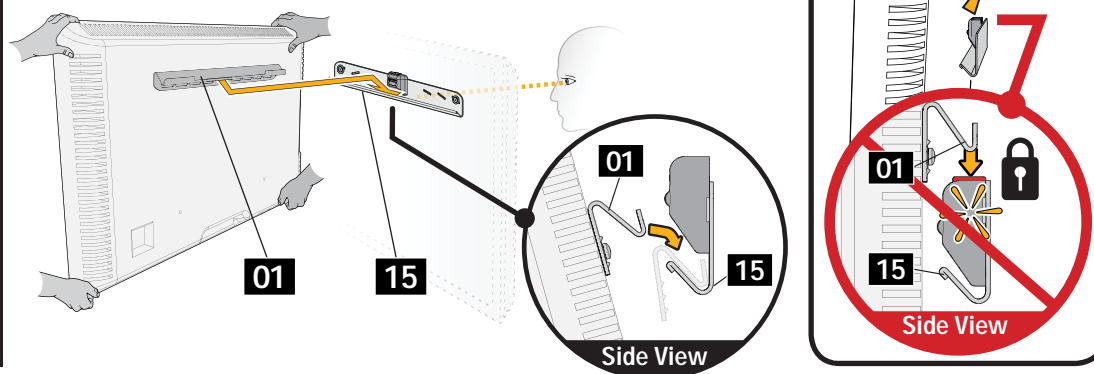


### 3-2 Hang Your TV

**HEAVY!** Use assistance with this step.

Use two people to hang the TV, to visually ensure TV bracket **01** is hung correctly onto wall plate **15** (see side view).

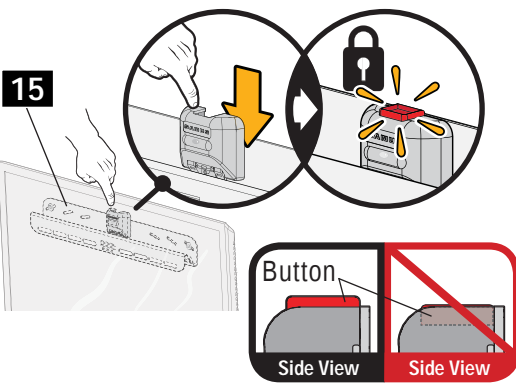
**IMPORTANT:** DO NOT lower TV straight down onto wall plate **15** -- this will engage the lock. Safety latch must be released for proper installation (See STEP 3-1).



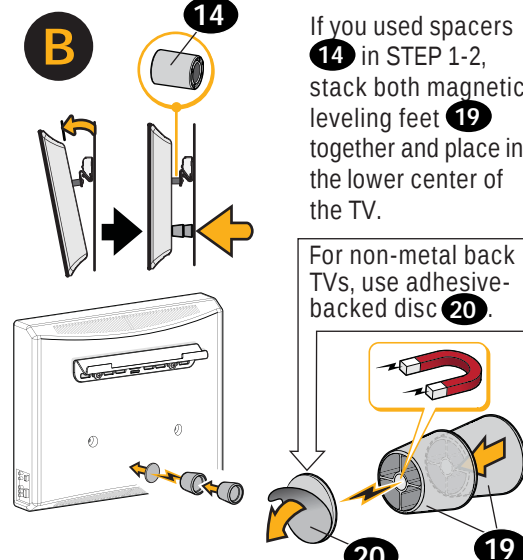
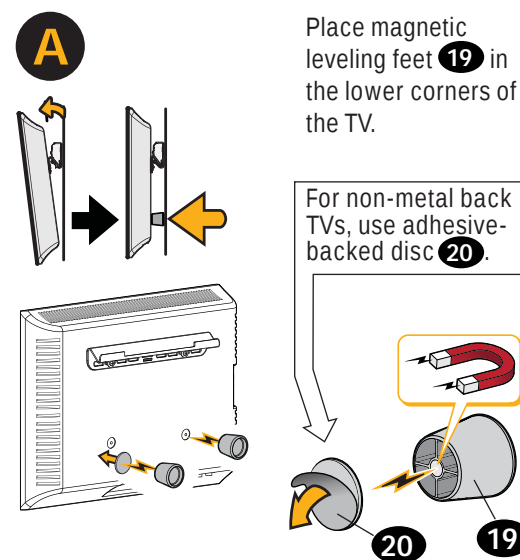
### 3-3 Lock the Wall Plate

Press down on the safety latch until the button pops up AND you hear a "click".

**CAUTION:** Avoid potential personal injury or property damage! The safety latch must be locked, so the TV is securely fastened to the wall plate **15**.



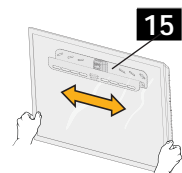
### 3-4 No Tilt Feature (OPTIONAL)



## Adjustments

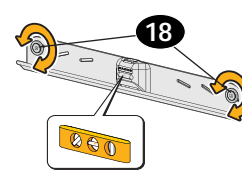
### Lateral Shift

Slide the TV side to side. Make sure your TV is locked to wall plate **15** (STEP 3-3).



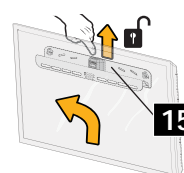
### Level

Remove the TV. Loosen both screws **18**, adjust level, then retighten the screws (STEP 2-3).

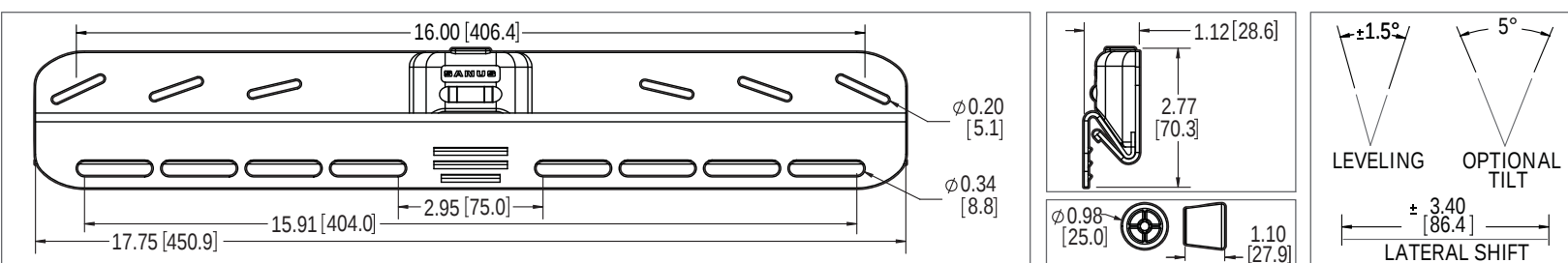


### Remove the TV

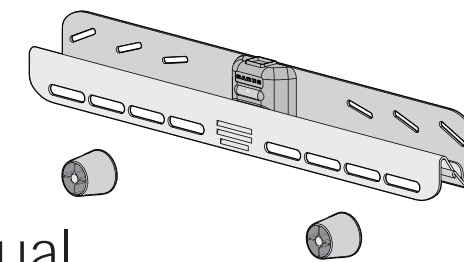
Disconnect your cables. Unlock wall plate **15** (STEP 3-1). Lift the TV up and away.



## Dimensions (in. [mm])



# SANUS



## VML41 Instruction Manual

We'll Make It Stress-Free

If you have any questions along the way, just give us a call.  
1-800-359-5520 We're ready to help!

Thank you for choosing Sanus! Please take a moment to let us know how we did:

Call us: 1-800-359-5520

Email us: info@sanus.com

Leave a review: sanus.com

Find us on Facebook: SANUS

Follow us on Twitter @sanussystems

Milestone AV Technologies and its affiliated corporations and subsidiaries (collectively, "Milestone"), intend to make this manual accurate and complete. However, Milestone makes no claim that the information contained herein covers all details, conditions, or variations. Nor does it provide for every possible contingency in connection with the installation or use of this product. The information contained in this document is subject to change without notice or obligation of any kind. Milestone makes no representation of warranty, expressed or implied, regarding the information contained herein. Milestone assumes no responsibility for accuracy, completeness or sufficiency of the information contained in this document.

©2015 Milestone AV Technologies. All rights reserved. Sanus is a division of Milestone. All other brand names or marks are used for identification purposes and are trademarks of their respective owners.

SANUS • 6436 City West Parkway • Eden Prairie, MN 55344 USA

6901-002447 00

## IMPORTANT SAFETY INSTRUCTIONS – SAVE THESE INSTRUCTIONS – PLEASE READ ENTIRE MANUAL PRIOR TO USE

Before getting started, let's make sure this mount is perfect for you!

- Does your TV weigh more than 80 lbs. (36 kg) including accessories?

**80 lbs. (36 kg)**

No – Perfect!  
Yes – This mount is NOT compatible. Visit [MountFinder.Sanus.com](http://MountFinder.Sanus.com) or call 1-800-359-5520 to find a compatible mount.
- What is your wall made of?

**CAUTION: DO NOT install into drywall alone**

Drywall with wood studs? **Perfect!**

Solid concrete or concrete block? **Concrete kit (#CMK3) required**

Unsure? **?**

Call Customer Service: 1-800-359-5520
- Do you have all of the tools needed?

**INCLUDED**

Stud Finder, Awl, Pencil, Tape Measure, Screwdriver, Electric Drill, Square Driver Bit, Wood Stud Applications (1/8 in. (3.2 mm) Wood Drill Bit), Concrete Applications (5/16 in. (8 mm) Concrete Drill Bit)
- Ready to begin?

Please read through these instructions completely to be sure you're comfortable with this easy install process. Also check your TV owner's manual to see if there are any special requirements for mounting your TV. If you do not understand these instructions or have doubts about the safety of the installation, assembly or use of this product, contact Customer Service at 1-800-359-5520.

**CAUTION:** Avoid potential personal injuries and property damage!

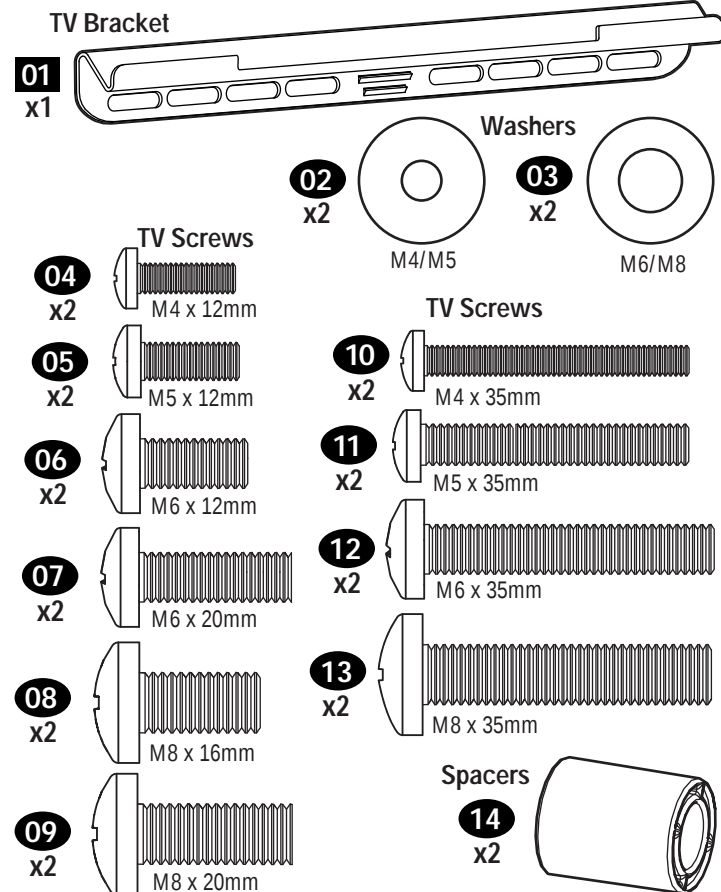
  - This product includes directions and hardware for use with wood studs – DO NOT install into drywall alone.
  - The wall must be capable of supporting five times the weight of the TV and mount combined.
  - Do not use this product for any purpose not explicitly specified by manufacturer.
  - Manufacturer is not responsible for damage or injury caused by incorrect assembly or use.

## Parts and Hardware

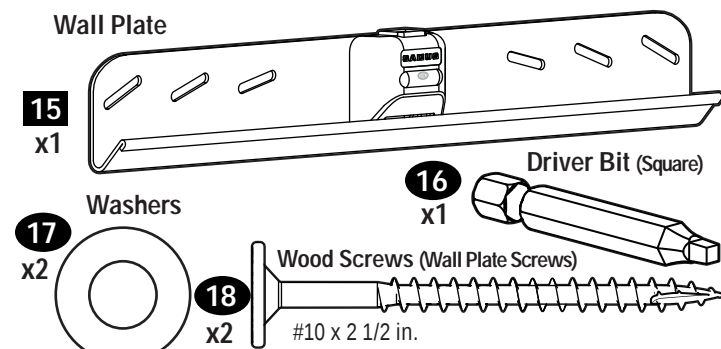
**⚠ WARNING:** This product contains small items that could be a choking hazard if swallowed. Before starting assembly, verify all parts are included and undamaged. If any parts are missing or damaged, do not return the damaged item to your dealer; contact Customer Service. Never use damaged parts!

**NOTE:** Not all hardware included will be used.

### Parts and Hardware for STEP 1



### Parts and Hardware for STEP 2

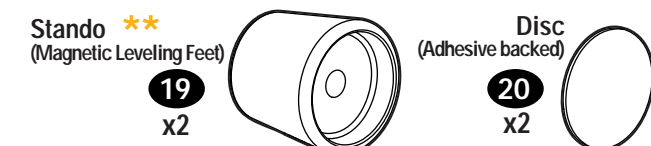


### Concrete Anchor Kit CMK3 (NOT INCLUDED)

**★ For concrete installations:** Contact customer service at 1-800-359-5520 to have these anchors shipped directly to you.



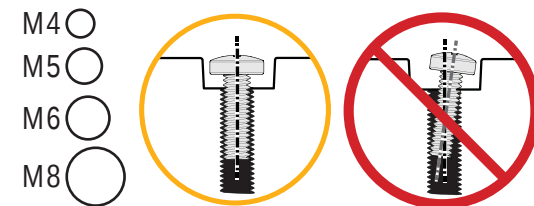
### Parts for STEP 3 (OPTIONAL)



**\*\* ⚠ WARNING:** This product contains a magnet. If an implanted medical device such as a pacemaker or implantable cardioverter defibrillator (ICD) is in use, magnetic fields may affect the operation of those devices, resulting in serious injury or death. If you have an implanted medical device, keep at least 13 cm (5 in.) between your device and the magnet. Please consult with your physician or medical professional prior to using this product.

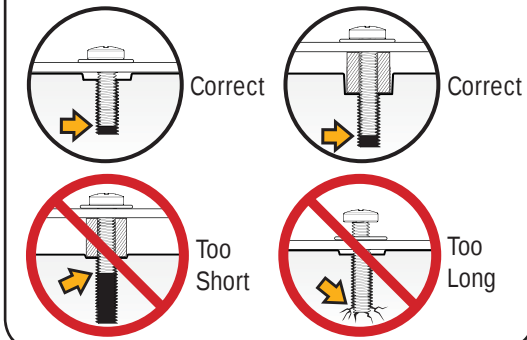
# 1 Attach TV Bracket to TV

## 1-1 Select Your TV Screws



**⚠ CAUTION:** Verify thread engagement of the screw or spacer/screw combination in STEP 1-2.

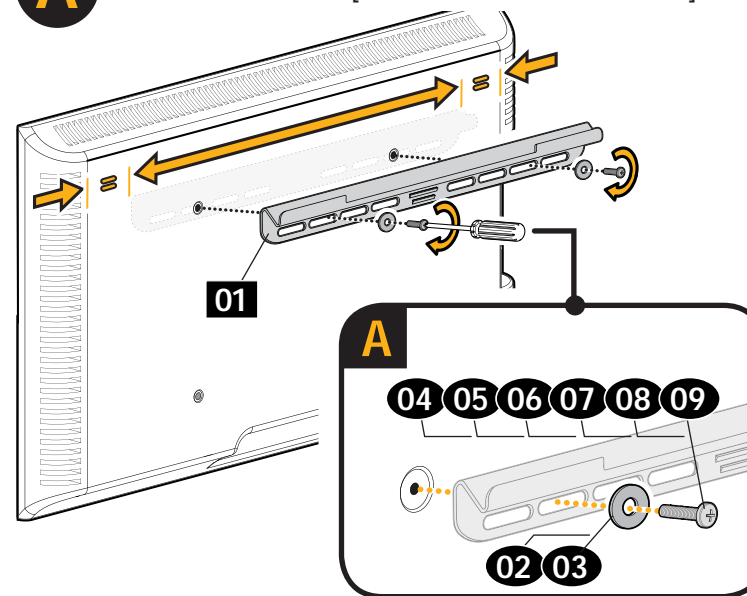
- Too short will not hold the TV
- Too long will damage the TV



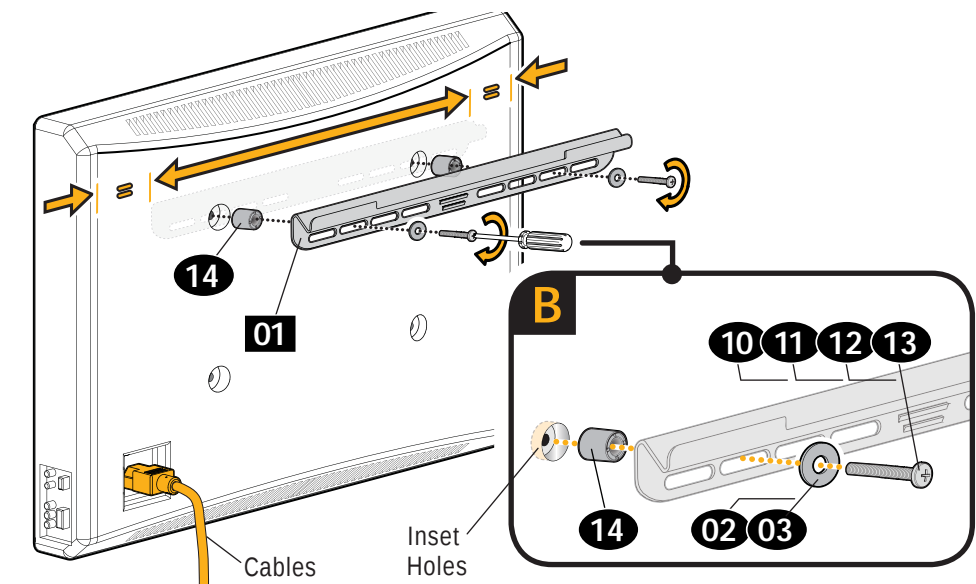
## 1-2 Attach the TV Bracket

Center TV bracket **01** on your TV's hole pattern and securely attach using hardware configuration **A** or **B**, depending on your TV needs.

**A** • Flat Back TV [AND TV closer to the wall]

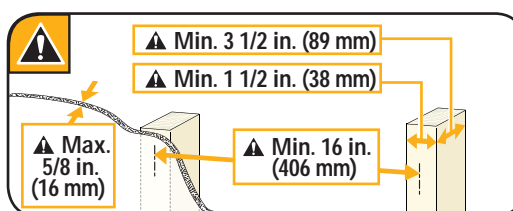


**B** • Rounded Back TV • Extra Space Needed [for cables or inset holes]



# 2 Attach Wall Plate to Wall

## 2-1A Verify Your Wall

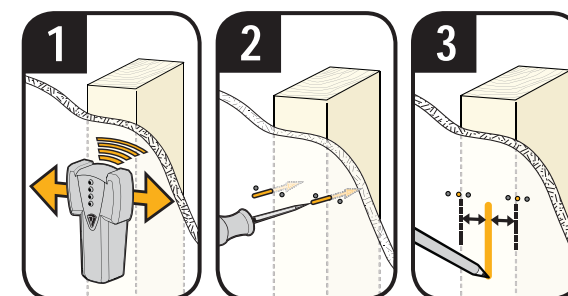


**⚠ CAUTION:** Avoid potential personal injuries and property damage!

- Drywall covering the wall must not exceed 5/8 in. (16 mm).
- Minimum wood stud size: common 2 x 4 in. (51 x 102 mm) nominal 1 1/2 x 3 1/2 in. (38 x 89 mm).
- Minimum horizontal space between fasteners: 16 in. (406 mm).
- Stud centers must be verified – not all walls have conventional 16 in. (406 mm).

WOOD STUD OPTION 2A

## 2-2A Find the Stud Centers

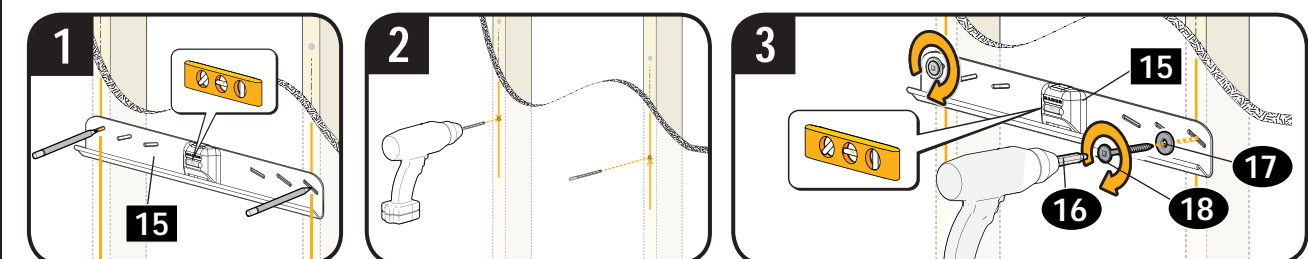


Locate the studs using a stud finder.

Probe the wall with an awl or drill bit to verify the stud edges.

Mark the center of both studs.

## 2-3A Attach the Wall Plate



Position wall plate **15** at your desired height. Level, then mark the two hole locations.

Drill two pilot holes using a 1/8 in. (3.2 mm) drill bit.

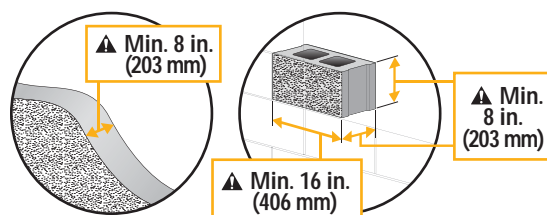
**⚠ IMPORTANT:** Pilot holes must be drilled to a depth of 2.5 in. (63 mm).

Install wall plate **15** with two washers **17** and screws **18**, using bit **16**.

Adjust leveling, if needed, then securely tighten both screws **18**.

**⚠ CAUTION:** Improper use could reduce the holding power of screws **18**. DO NOT over-tighten the screws.

## 2-1B Verify Your Wall

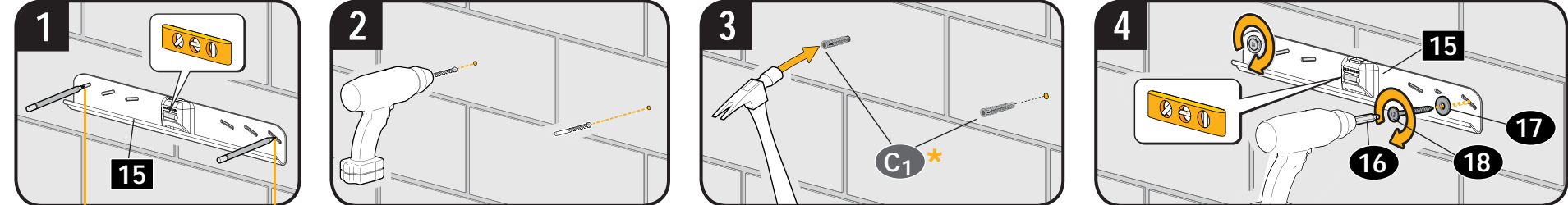


**⚠ CAUTION:** Avoid potential personal injuries and property damage!

- Minimum solid concrete thickness: 8 in. (203 mm).
- Minimum concrete block size: 8 x 8 x 16 in. (203 x 203 x 406 mm).
- Minimum horizontal space between fasteners: 16 in. (406 mm).
- Mount wall plate **15** directly onto the concrete surface.

CONCRETE OPTION 2B

## 2-2B Attach the Wall Plate



Position wall plate **15** at your desired height. Level, then mark the two hole locations.

Drill two pilot holes using a 5/16 in. (8 mm) masonry drill bit.

**⚠ IMPORTANT:** Pilot holes must be drilled to a depth of 2.75 in. (70 mm). Never drill into the mortar between blocks.

Insert two anchors **C1** (Fischer UX8x50R included in Concrete Anchor Kit CMK3 \*).

**⚠ CAUTION:** Be sure the anchors are seated flush with the concrete surface.

Install wall plate **15** with two washers **17** and screws **18**, using bit **16**.

Securely tighten both screws **18**.

**⚠ CAUTION:** Improper use could reduce the holding power of screws **18**. DO NOT over-tighten the screws.