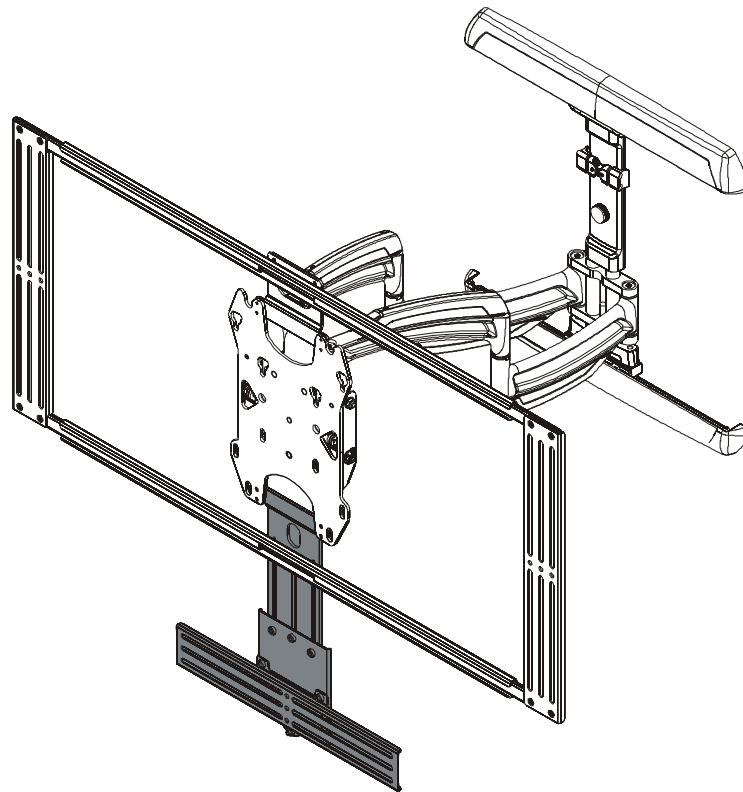

INSTALLATION INSTRUCTIONS



Center Speaker Bracket

DISCLAIMER

Milestone AV Technologies and its affiliated corporations and subsidiaries (collectively "Milestone"), intend to make this manual accurate and complete. However, Milestone makes no claim that the information contained herein covers all details, conditions or variations, nor does it provide for every possible contingency in connection with the installation or use of this product. The information contained in this document is subject to change without notice or obligation of any kind. Milestone makes no representation of warranty, expressed or implied, regarding the information contained herein. Milestone assumes no responsibility for accuracy, completeness or sufficiency of the information contained in this document.

Chief® is a registered trademark of Milestone AV Technologies. All rights reserved.

IMPORTANT WARNINGS AND CAUTIONS!

WARNING: A WARNING alerts you to the possibility of serious injury or death if you do not follow the instructions.

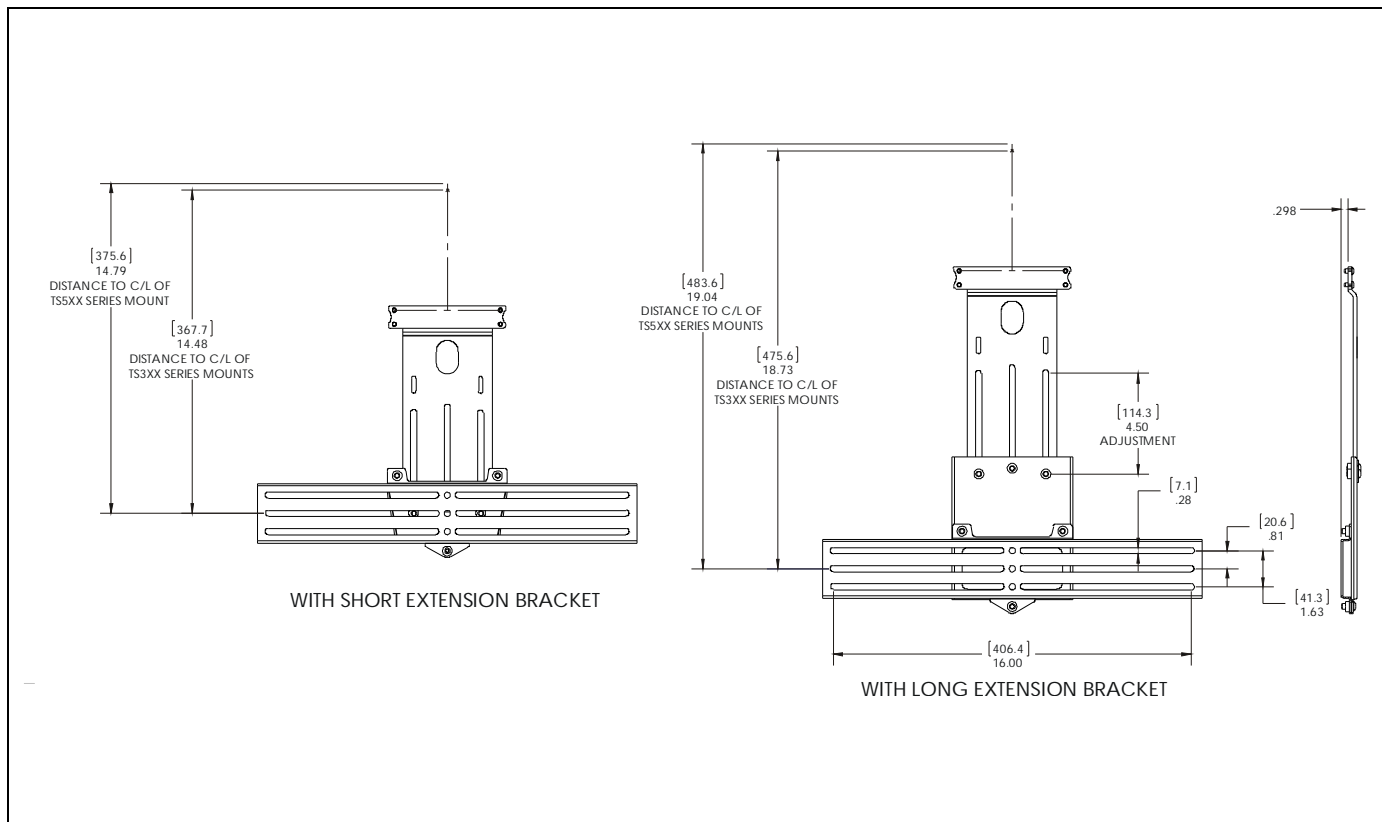
CAUTION: A CAUTION alerts you to the possibility of damage or destruction of equipment if you do not follow the corresponding instructions.

WARNING: Failure to read, thoroughly understand, and follow all instructions can result in serious personal injury, damage to equipment, or voiding of factory warranty! It is the installer's responsibility to make sure all components are properly assembled and installed using the instructions provided.

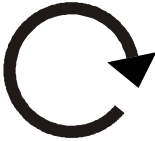

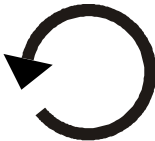









WARNING: Failure to provide adequate structural strength for this component can result in serious personal injury or damage to equipment! It is the installer's responsibility to make sure the structure to which this component is attached can support five times the combined weight of all equipment. Reinforce the structure as required before installing the component.

WARNING: Exceeding the weight capacity can result in serious personal injury or damage to equipment! It is the installer's responsibility to make sure the combined weight of all equipment and accessories mounted on the TA350 bracket does not exceed 10 lbs (4.54 kg).

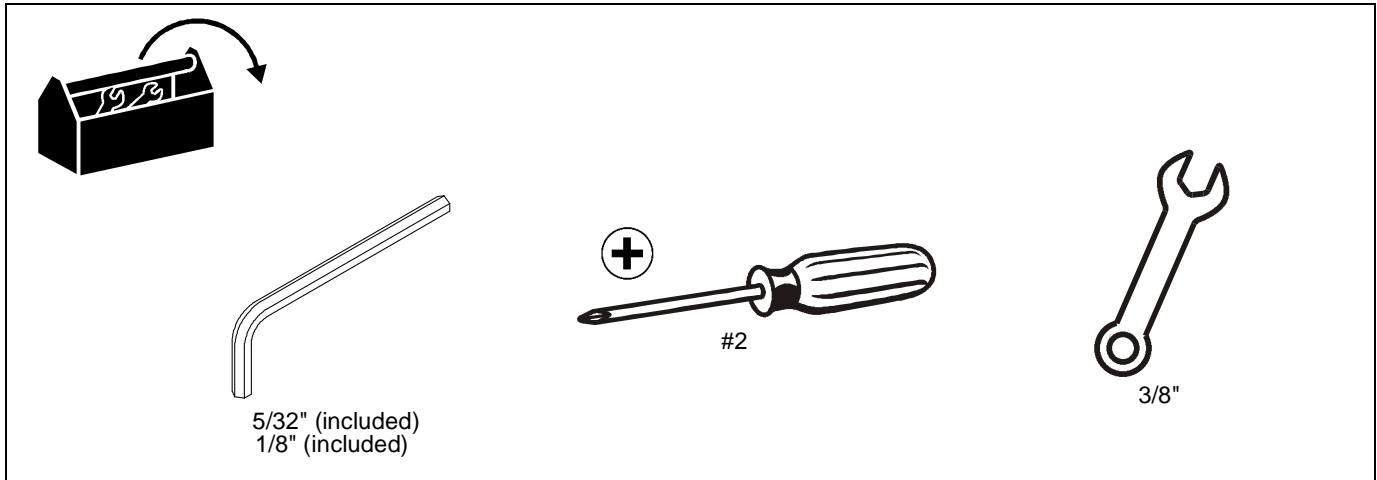
DIMENSIONS



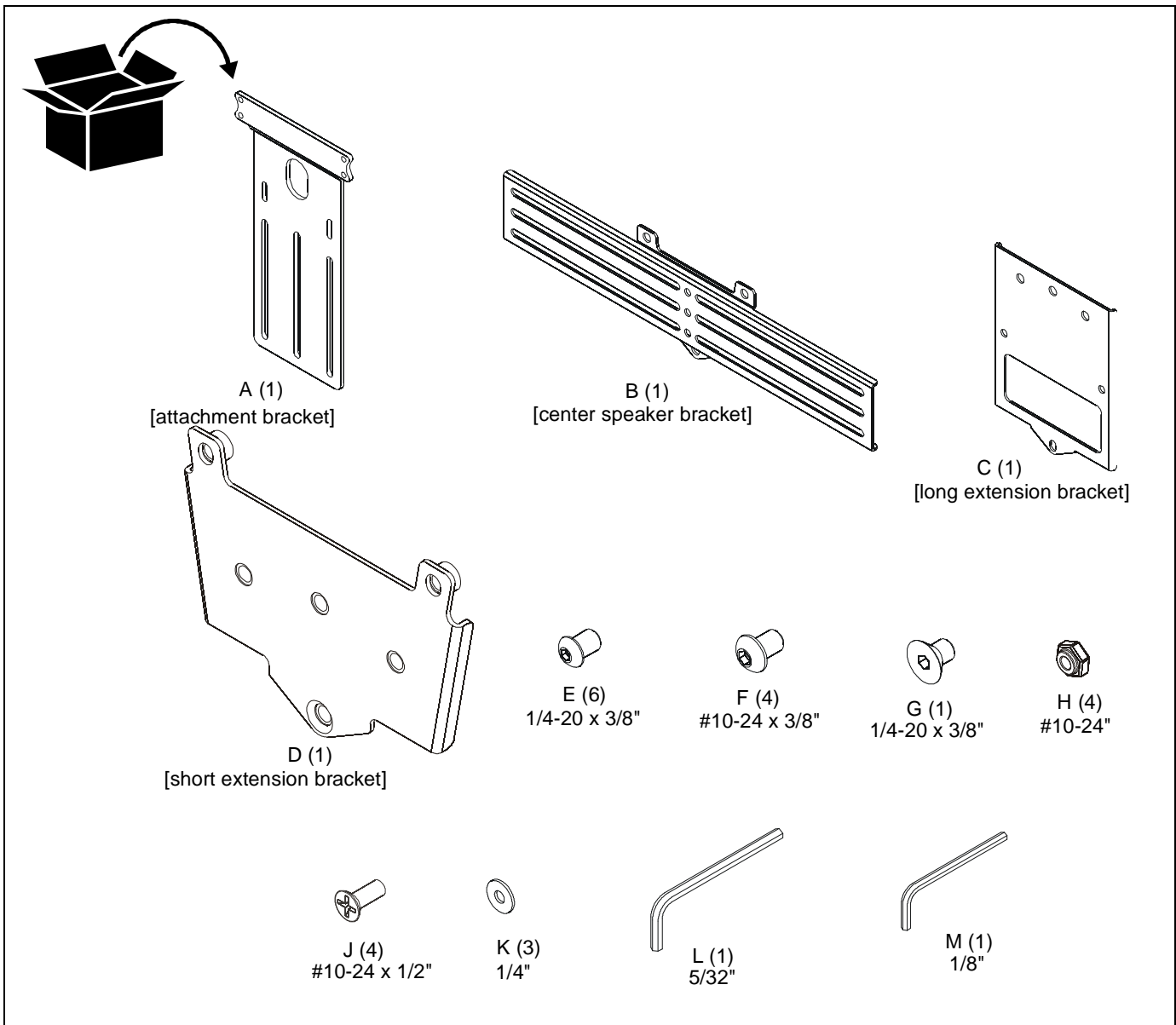
LEGEND

	<p>Tighten Fastener</p> <p>Apretar elemento de fijación</p> <p>Befestigungsteil festziehen</p> <p>Apertar fixador</p> <p>Serrare il fissaggio</p> <p>Bevestiging vastdraaien</p> <p>Serrez les fixations</p>		<p>Pencil Mark</p> <p>Marcar con lápiz</p> <p>Stiftmarkierung</p> <p>Marcar com lápis</p> <p>Segno a matita</p> <p>Potloodmerkteken</p> <p>Marquage au crayon</p>
	<p>Loosen Fastener</p> <p>Aflojar elemento de fijación</p> <p>Befestigungsteil lösen</p> <p>Desapertar fixador</p> <p>Allentare il fissaggio</p> <p>Bevestiging losdraaien</p> <p>Desserrez les fixations</p>		<p>Drill Hole</p> <p>Perforar</p> <p>Bohrloch</p> <p>Fazer furo</p> <p>Praticare un foro</p> <p>Gat boren</p> <p>Percez un trou</p>
	<p>Phillips Screwdriver</p> <p>Destornillador Phillips</p> <p>Kreuzschlitzschraubendreher</p> <p>Chave de fendas Phillips</p> <p>Cacciavite a stella</p> <p>Kruiskopschroevendraaier</p> <p>Tournevis à pointe cruciforme</p>		<p>Adjust</p> <p>Ajustar</p> <p>Einstellen</p> <p>Ajustar</p> <p>Regolare</p> <p>Afstellen</p> <p>Ajuster</p>
	<p>Open-Ended Wrench</p> <p>Llave de boca</p> <p>Gabelschlüssel</p> <p>Chave de bocas</p> <p>Chiave a punte aperte</p> <p>Steeksleutel</p> <p>Clé à fourche</p>		<p>Remove</p> <p>Quitar</p> <p>Entfernen</p> <p>Remover</p> <p>Rimuovere</p> <p>Verwijderen</p> <p>Retirez</p>
	<p>By Hand</p> <p>A mano</p> <p>Von Hand</p> <p>Com a mão</p> <p>A mano</p> <p>Met de hand</p> <p>À la main</p>		<p>Optional</p> <p>Opcional</p> <p>Optional</p> <p>Opcional</p> <p>Opzionale</p> <p>Optie</p> <p>En option</p>
	<p>Hex-Head Wrench</p> <p>Llave de cabeza hexagonal</p> <p>Sechskantschlüssel</p> <p>Chave de cabeça sextavada</p> <p>Chiave esagonale</p> <p>Zeskantsleutel</p> <p>Clé à tête hexagonale</p>		<p>Security Wrench</p> <p>Llave de seguridad</p> <p>Sicherheitsschlüssel</p> <p>Chave de segurança</p> <p>Chiave di sicurezza</p> <p>Veiligheidssleutel</p> <p>Clé de sécurité</p>

TOOLS REQUIRED FOR INSTALLATION



PARTS



Installation

Bracket Assembly

With Short Extension Bracket

1. Use two 1/4-20 x 3/8" button head cap screws (E) and one 1/4-20 x 3/8" flat head cap screw (G) to attach short extension bracket (D) to center speaker bracket (B). (See Figure 1)

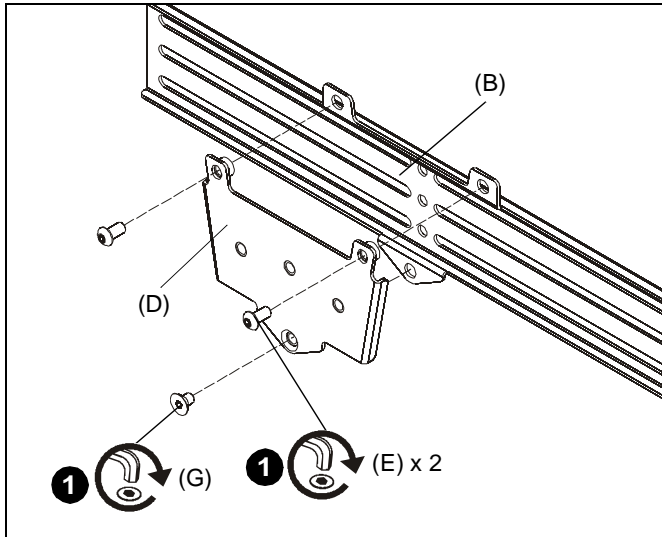


Figure 1

2. Use three 1/4-20 x 3/8" button head cap screws (E) and three 1/4" washers (K) to secure attachment bracket (A) to short extension bracket (D). (See Figure 2)

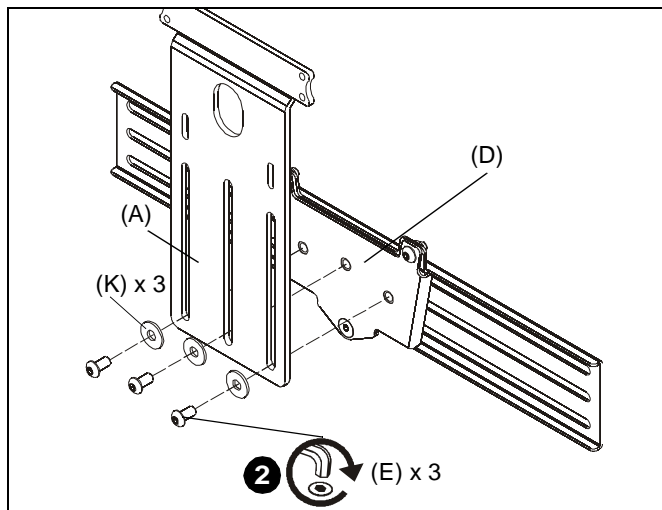


Figure 2

With Long Extension Bracket

1. Use three 1/4-20 x 3/8" button head cap screws (E) to attach long extension bracket (C) to center speaker bracket (B). (See Figure 3)

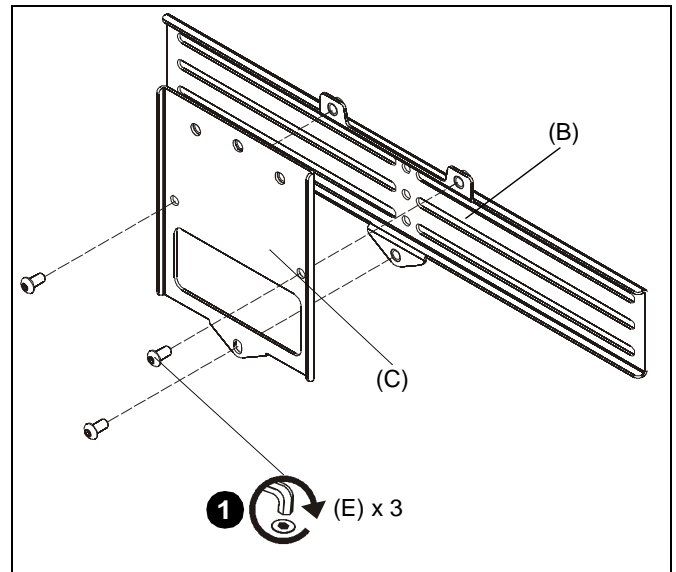


Figure 3

2. Use three 1/4-20 x 3/8" button head cap screws (E) and three 1/4" washers (K) to secure attachment bracket (A) to long extension bracket (C). (See Figure 4)

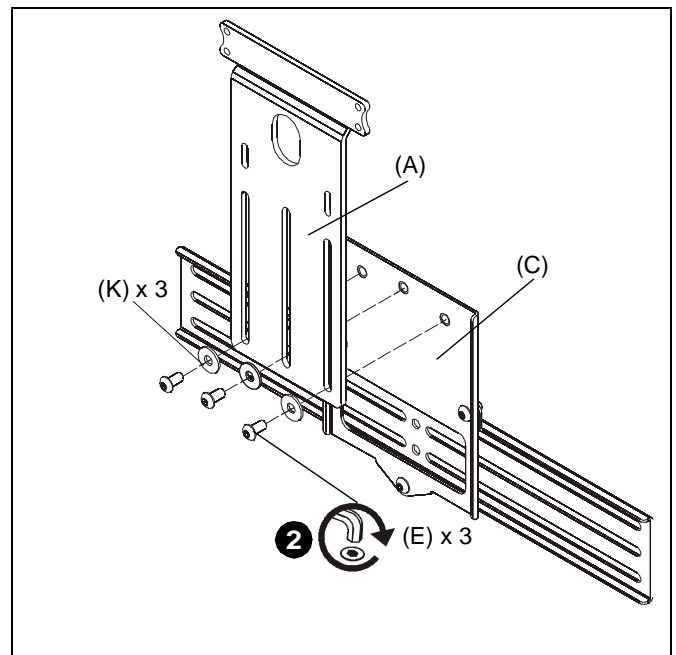


Figure 4

Install Attachment Bracket to Faceplate

NOTE: TA350 center channel speaker brackets may be installed above or below the display.

TS525 or iCF50 Installation

NOTE: Display does NOT have to be removed to attach bracket to TS525 or iCF50 faceplate.

1. Use four #10-24 x 3/8" button head cap screws (F) to connect attachment bracket (A) to upper or lower holes on swing arm faceplate. (See Figure 5) and (See Figure 6)

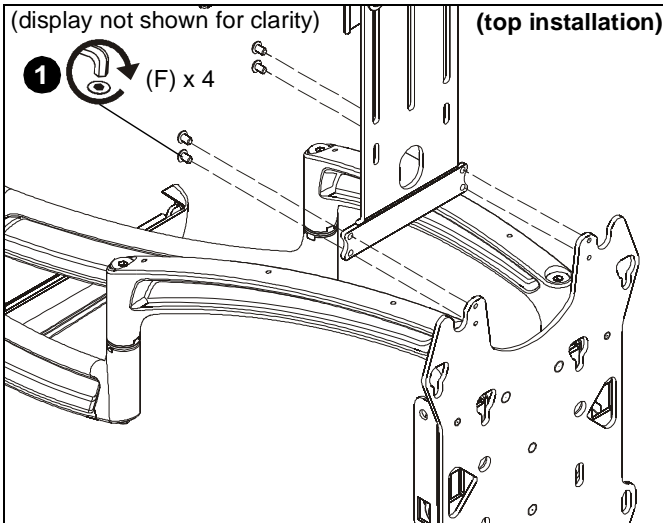


Figure 5

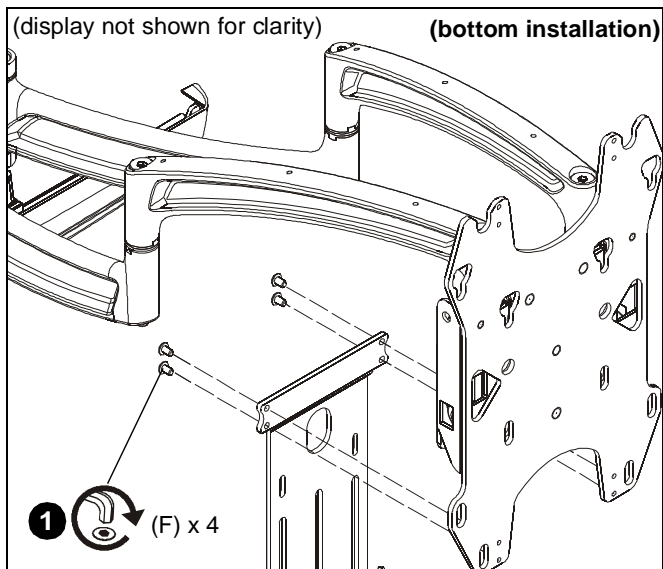


Figure 6

TS3XX or iCF30 Installation

1. If already installed, remove display from faceplate. See swing arm installation instructions for details.
2. Use four #10-24 x 1/2" Phillips flat head cap screws (J) and four #10-24 lock nuts (H) to connect attachment bracket (A) to faceplate. (See Figure 7) and (See Figure 8)

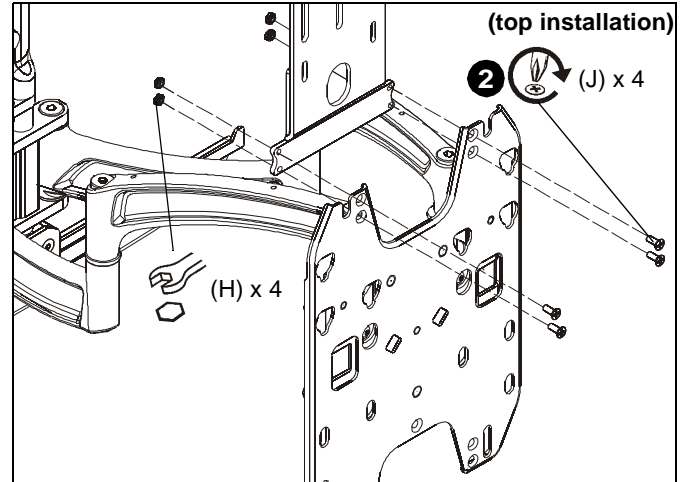


Figure 7

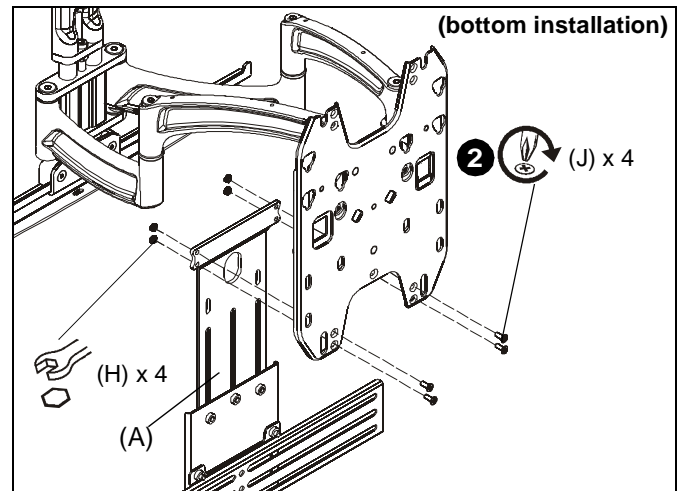


Figure 8

3. Reinstall display to faceplate. See swing arm installation instructions for details.

Attach to Side Speaker Bracket (if applicable)

If side speaker brackets (TA300) have been installed to mount side speakers, the attachment bracket should be attached to the horizontal rail of the side speaker brackets for additional support.

IMPORTANT ! : If installing below display, install both side speaker brackets prior to installing center speaker bracket to ensure an even mount.

1. Use two #10-24 x 1/2" button head cap screws and two #10 washers (provided with TA300) to connect horizontal bracket on side speaker brackets to attachment bracket (A). (See Figure 9)

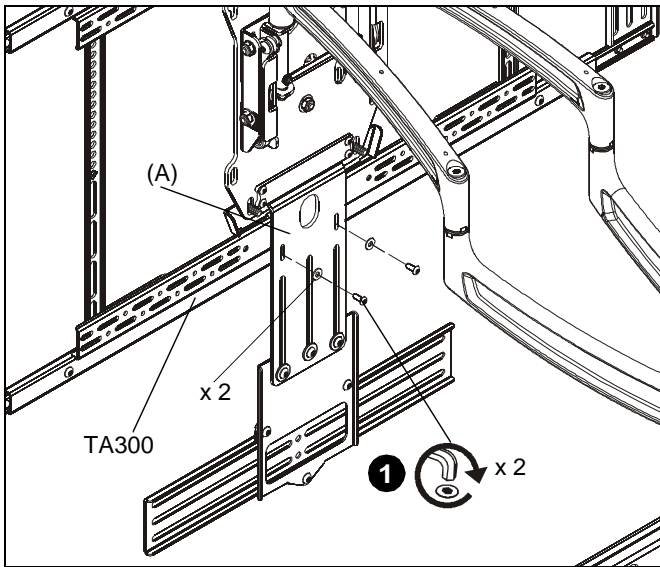


Figure 9

Center Speaker Installation



WARNING: Exceeding the weight capacity can result in serious personal injury or damage to equipment! It is the installer's responsibility to make sure the combined weight of all equipment and accessories mounted on the TA350 bracket does not exceed 10 lbs (4.54 kg).

1. Attach center speaker to center speaker bracket (B) using appropriate hardware (not provided). (See Figure 10)

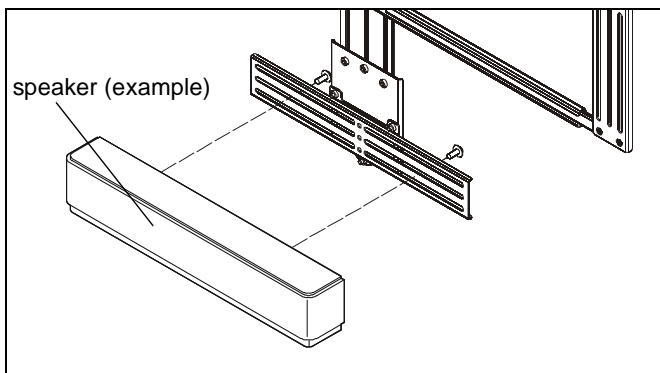


Figure 10

Adjustments

Height Adjustment

1. Loosen three 1/4-20 x 3/8" button head cap screws (E) holding extension bracket (C or D) to attachment bracket (A). (See Figure 11)
2. Adjust height of center speaker bracket (B) as desired. (See Figure 11)
3. Tighten three 1/4-20 x 3/8" button head cap screws (E) holding extension bracket (C or D) to attachment bracket (A). (See Figure 11) or (See Figure 12)

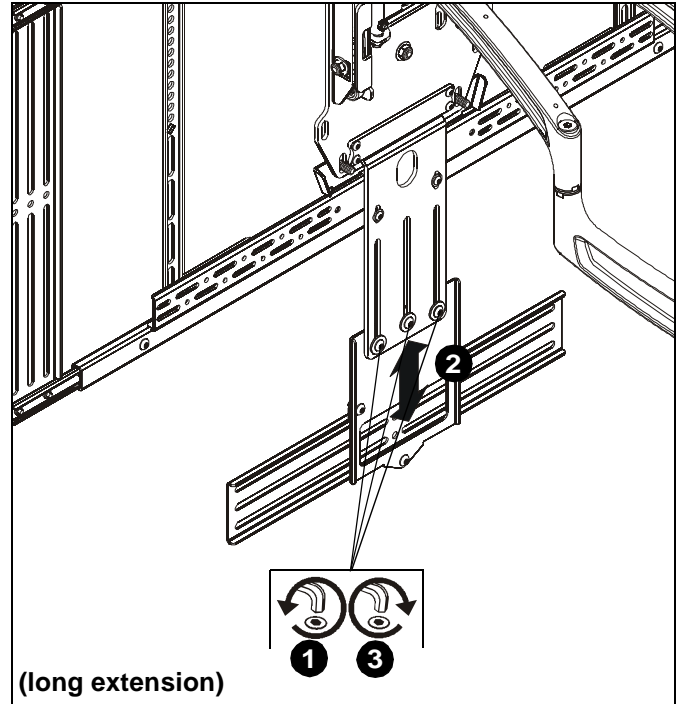


Figure 11

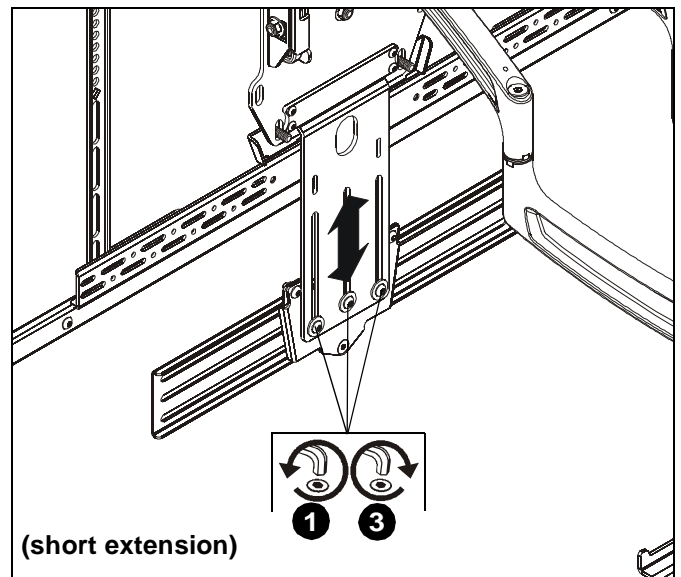


Figure 12



Our Mounts. **Your Vision.**

Chief Manufacturing, a products division
of Milestone AV Technologies

8805-002019 Rev01
©2011 Milestone AV Technologies, a
Duchossois Group Company
www.chiefmfg.com
08/11

USA/International	A 8401 Eagle Creek Parkway, Savage, MN 55378 P 800.582.6480 / 952.894.6280 F 877.894.6918 / 952.894.6918
Europe	A Fellenoord 130 5611 ZB EINDHOVEN, The Netherlands P +31 (0)40 2668620 F +31 (0)40 2668615
Asia Pacific	A Office No. 1 on 12/F, Shatin Galleria 18-24 Shan Mei Street Fotan, Shatin, Hong Kong P 852 2145 4099 F 852 2145 4477

