



Optoma Portable Pull-Up Screen

Installation Guide Manual



Optoma Asia Corporation

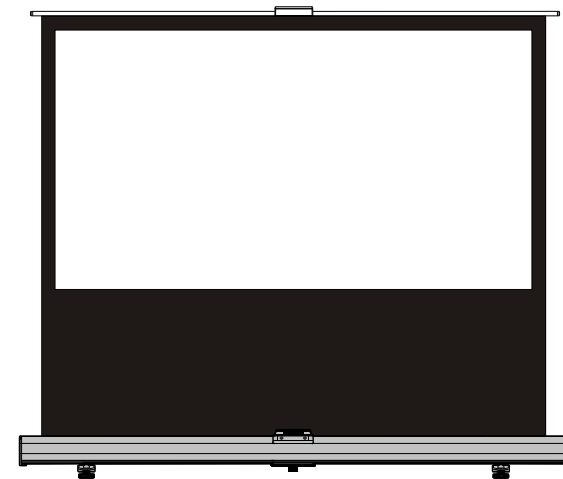
5F., No 108, Minchiuan Rd., Xindian City, Taipei 231
Tel: 886-2-2218-2360
Fax: 886-2-2218-2313
www.optoma.com.tw

Optoma USA

715 Sycamore Drive
Milpitas, CA 95035 USA
Tel: 408-383-3700
Fax: 408-383-3702
www.optomausa.com

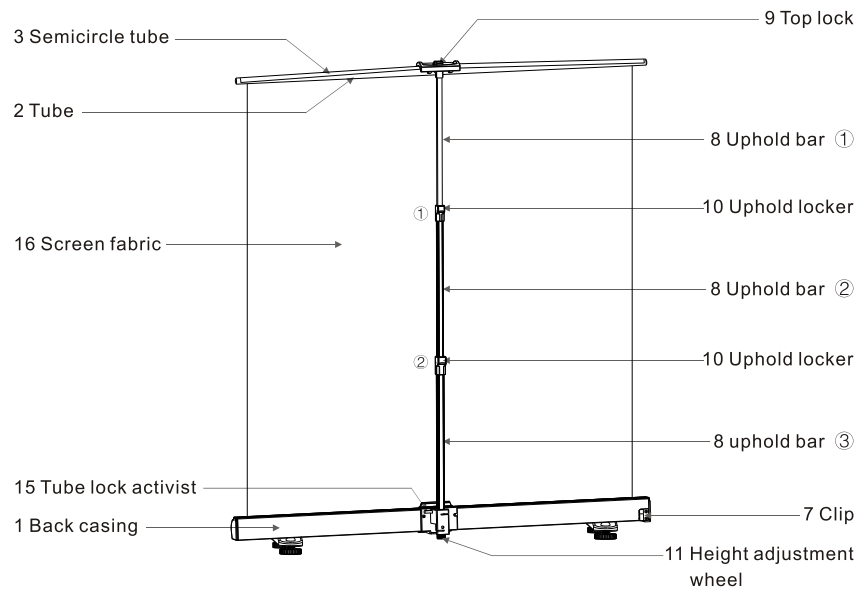
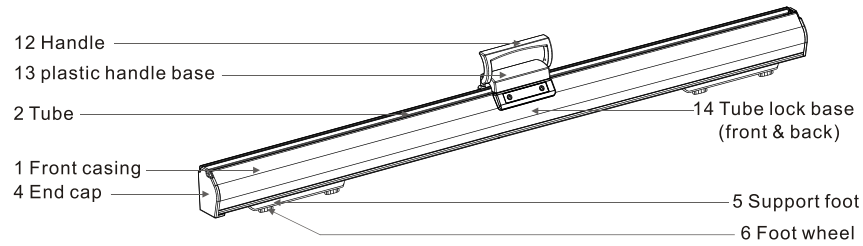
Optoma Europe Ltd.

42 Caxton Way
The Watford Business Park
Watford Hertfordshire WD18 8QZ UK
Tel: +44 (0) 1923 691 800
Fax: +44 (0) 1923 691 888
www.optoma.co.uk



The model is a portable pull-up screen, the design is compact and lightweight. It is suited for various venues such as business, presentation, boardroom, home theatres and other entertainment sites.

Description



Casing Assembly

1. Casing (front & back)
2. Tube
3. Semicircle tube
4. End cap
5. Support foot
6. Foot wheel
7. Clip

Uphold Bar Assembly

8. Uphold bar ① ② ③
9. Top lock
10. Uphold locker
11. Height adjustment wheel

Hook & Lock Assembly

12. Handle
13. Plastic handle base
14. Tube lock base (front & back)
15. Tube lock activist

Screen

16. Screen fabric

Warnings

1. Control the uphold bar simultaneously pushing the uphold locker while pull up or down the screen. Otherwise the screen will be damaged by fast down out of control.
2. Be sure the handle base were locked into the fastener at the top of uphold bar stable, and the handle were fastened on the holder at the top of uphold bar.

Malfunction solutions

1. Screen Fabric is not smooth when screen is unfolded.

- a. Hold and push slightly fixed tube in the middle of position of tube until loose from the semicircle tube. (Figure 14)
- b. Adjust the foot wheel of support and height adjustment wheel. (Figure 15-16)

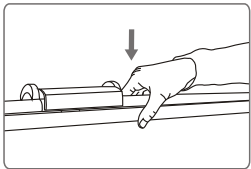


Figure 14

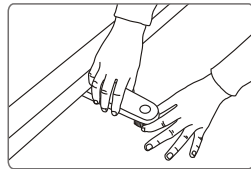


Figure 15

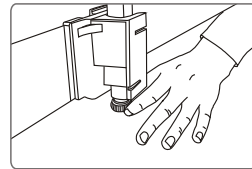


Figure 16

2. The fixed holding bar can not be raised when it is in use.

- a. Check whether the uphold bar is vertical to the outer case or refer to Installation Step 3.

Installation

Open Screen

1. Put the screen on the ground, in a proper position, facing the projector. Turn the support foot (5) out until they are perpendicular to the screen casing (1). (Figure 1)

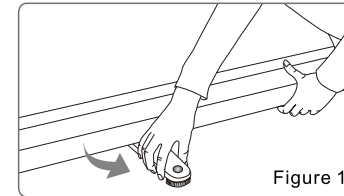


Figure 1

2. Lift the uphold bar (8 ③) 90 degrees vertically until it clicks. Raise the uphold bar (8 ②) while simultaneously pushing the uphold locker (10). (Figure 2-4)

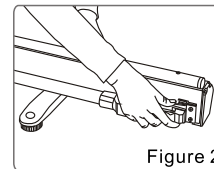


Figure 2

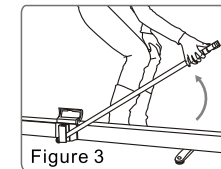


Figure 3

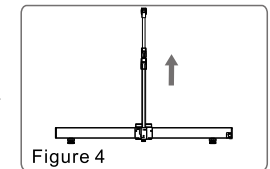


Figure 4

3. Pull up the screen by grasping the handle (12) and lock the handle base on the fastener at the top of uphold bar (8). (Figure 5-7)

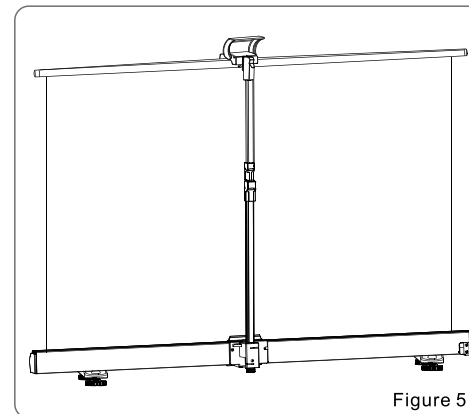


Figure 5

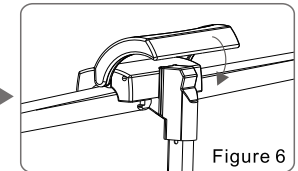


Figure 6

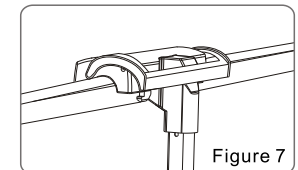
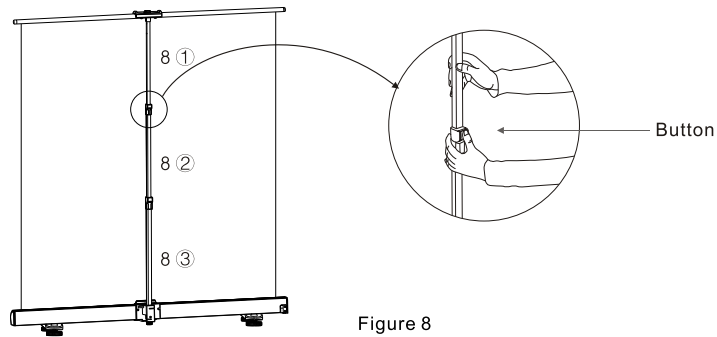


Figure 7

4. Pull up and lock the uphold bar(8) to the desired height . The screen is fully released . The screen height could be adjusted to 6 different levels by adjusting locking position of uphold bar. (Figure 8)

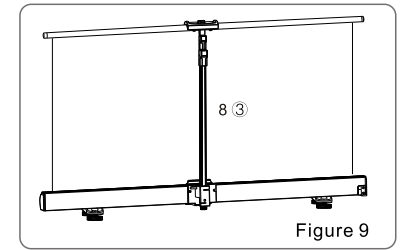


5. To get the flat screen by adjusting foot wheel when it were declined.

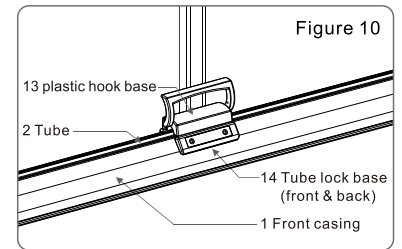
Retract screen

please retract the screen for store.

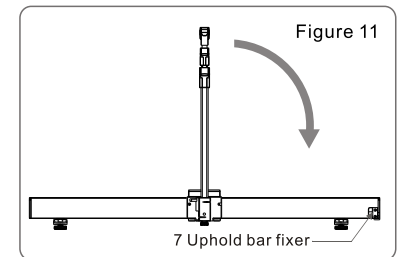
1. Push the uphold locker using one hand simultaneously pull down the uphold bar (8①) with another hand . Repeat the same action to low down the uphold bar (8②). (Figure 9)



2. Remove the handle from the fastener at the top of uphold bar .Grasp the handle, lower the screen to allow it retract into the case . Be sure the handle base connected with tube lock base. (Figure 10)



3. Fold down and lock uphold bar (8 ③) to its clip(7). Return the support foot to original position.(Figure 11)



4. Be sure the screen is completely stowed and locked before carrying the product by handle , even if the screen could be locked automatically while the uphold bar were locked in the clip. (Figure 12)

