



ASRock

X870E TAICHI

LITE

User Manual

Contact Information

If you need to contact ASRock or want to know more about ASRock, you're welcome to visit ASRock's website at <http://www.asrock.com>; or you may contact your dealer for further information. For technical questions, please submit a support request form at <https://event.asrock.com/tsd.asp>

ASRock Incorporation

e-mail: info@asrock.com.tw

ASRock EUROPE B.V.

e-mail: sales@asrock.nl

ASRock America, Inc.

e-mail: sales@asrockamerica.com



Scan the QR code to view more manuals and documents.

Contents

| | |
|---|-----------|
| Chapter 1 Introduction | 1 |
| 1.1 Package Contents | 1 |
| 1.2 Specifications | 2 |
| 1.3 Motherboard Layout | 7 |
| 1.4 I/O Panel | 9 |
| 1.5 Block Diagram | 11 |
| 1.6 802.11be Wi-Fi 7 Module and ASRock WiFi 2.4/5/6 GHz Antenna | 12 |
| Chapter 2 Installation | 13 |
| 2.1 Installing the CPU | 14 |
| 2.2 Installing the CPU Fan and Heatsink | 17 |
| 2.3 Installing Memory Modules (DIMM) | 26 |
| 2.4 Connecting the Front Panel Header | 28 |
| 2.5 Installing the Motherboard | 29 |
| 2.6 Installing SATA Drives | 30 |
| 2.7 Installing a Graphics Card | 32 |
| 2.8 Connecting Peripheral Devices | 34 |
| 2.9 Connecting the Power Connectors | 35 |
| 2.10 Power On | 36 |
| 2.11 Jumpers Setup | 37 |
| 2.12 Onboard Headers and Connectors | 38 |

| | | |
|------|--|----|
| 2.13 | Smart Buttons | 54 |
| 2.14 | Dr. Debug | 58 |
| 2.15 | M.2 SSD Installation Guide (M2_1) | 64 |
| 2.16 | M.2 SSD Installation Guide (M2_2) | 67 |
| 2.17 | M.2 SSD Installation Guide (M2_3 and M2_4) | 70 |

Chapter 1 Introduction

Thank you for purchasing ASRock X870E Taichi Lite motherboard, a reliable motherboard produced under ASRock's consistently stringent quality control. It delivers excellent performance with robust design conforming to ASRock's commitment to quality and endurance.



Because the motherboard specifications and the BIOS software might be updated, the content of this documentation will be subject to change without notice. In case any modifications of this documentation occur, the updated version will be available on ASRock's website without further notice. If you require technical support related to this motherboard, please visit our website for specific information about the model you are using. You may find the latest VGA cards and CPU support list on ASRock's website as well. ASRock website <http://www.asrock.com>.

1.1 Package Contents

- ASRock X870E Taichi Lite Motherboard (EATX Form Factor)
- 4 x Serial ATA (SATA) Data Cables (Optional)
- 1 x ASRock WiFi 2.4/5/6 GHz Antenna (Optional)
- 1 x ARGB Splitter Cable (Optional)
- 3 x Thermistor Cables (Optional)

1.2 Specifications

- Platform**
- EATX Form Factor
 - 8 Layer PCB
 - 2oz Copper PCB

- CPU**
- Supports AMD Socket AM5 Ryzen™ 9000, 8000 and 7000 Series Processors*
 - Supports ASRock Hyper BCLK Engine

* The availability of expansion slots may vary by CPU. Please refer to PCIe/M.2 Bandwidth Table for details. (<http://www.asrock.com/>)

- Chipset**
- AMD X870E

- Memory**
- Dual Channel DDR5 Memory Technology
 - 4 x DDR5 DIMM Slots
 - Supports DDR5 ECC/non-ECC, un-buffered memory up to 8200+(OC)*
 - Max. capacity of system memory: 256GB
 - Supports Extreme Memory Profile (XMP) and EXTended Profiles for Overclocking (EXPO) memory modules

* Please refer to Memory Support List on ASRock's website for more information. (<http://www.asrock.com/>)

Expansion Slot

CPU:

- 2 x PCIe 5.0 x16 Slots (PCIe1 and PCIe2), support x16 or x8/x8 modes*

Chipset:

- 1 x Vertical M.2 Socket (Key E), supports type 2230 WiFi/BT PCIe WiFi module

* PCIe1 will run at Gen5x16 with 9000 and 7000 series processors, Gen4x8 with 8000 (Phoenix 1) series processors and Gen4x4 with 8000 (Phoenix 2) series processors.

* Supports NVMe SSD as boot disks

- Supports AMD CrossFire™

Graphics

- Integrated AMD RDNA™ graphics (Actual support may vary by CPU)
- 1 x HDMI 2.1 TMDS/FRL 8G Compatible, supports HDR, HDCP 2.3 and max. resolution up to 4K 120Hz
- 2 x USB4, support HDCP 2.3 and max. resolution up to 8K 30Hz*

* Only the CPU's embedded graphics can be displayed through USB4 ports. If you want to display to a Type-C monitor, please use AM5 Ryzen™ 9000, 8000 and 7000 processors with embedded graphics.

Audio

- 5.1 CH HD Audio with Content Protection (Realtek ALC4082 Audio Codec)
- WIMA Audio Capacitors (For Rear Outputs)
- ESS SABRE9219 DAC for Rear Panel Audio (130dB SNR)
- Individual PCB Layers for R/L Audio Channel
- Direct Drive Technology on Front headphone port (Supports up to 600 Ohm headsets)
- Nahimic Audio

LAN

- 5 Gigabit LAN 10/100/1000/2500/5000 Mb/s
- Realtek RTL8126

Wireless**LAN**

- 802.11be 2x2 Wi-Fi 7 Module
- Supports IEEE 802.11a/b/g/n/ac/ax/axe/be
- Supports 2.4GHz/5GHz/6GHz* frequency band
- Supports 160MHz channel bandwidth with 6GHz* frequency band

* Wi-Fi 7 (6GHz band) will be supported by Microsoft® Windows® 11. The availability will depend on the different regulation status of each country and region. It will be activated (for supported countries) through Windows Update and software updates once available.

- 1 antenna to support 2 (Transmit) x 2 (Receive) diversity technology
- Supports Bluetooth 5.4
- Supports MU-MIMO

USB

CPU:

- 2 x USB4 Type-C (Rear)
- 2 x USB 3.2 Gen2 Type-A (Rear)

Chipset:

- 1 x USB 3.2 Gen2x2 Type-C (Front)
- 3 x USB 3.2 Gen2 Type-A (Rear)
- 7 x USB 3.2 Gen1 Type-A (3 Rear, 4 Front)
- 6 x USB 2.0 (2 Rear, 4 Front)

* All USB ports support ESD Protection

Rear Panel I/O

- 2 x Antenna Ports
- 1 x HDMI Port
- 1 x Optical SPDIF Out Port
- 2 x USB4 Type-C Ports (40 Gb/s)*
- 5 x USB 3.2 Gen2 Type-A Ports (10 Gb/s) (USB32_12 are Lightning Gaming Ports.)
- 3 x USB 3.2 Gen1 Type-A Ports (USB32_34 supports Ultra USB Power.)
- 2 x USB 2.0 Ports
- 1 x RJ-45 LAN Port
- 1 x Clear CMOS Button
- 1 x BIOS Flashback Button
- 1 x Line Out Jack (Gold Audio Jack)
- 1 x Microphone Input Jack (Gold Audio Jack)

* Supports USB PD 3.0 up to 5V@3A (15W) charging

Storage

CPU:

- 1 x Blazing M.2 Socket (M2_1, Key M), supports type 2280 PCIe Gen5x4 (128 Gb/s) mode*

Chipset:

- 1 x Hyper M.2 Socket (M2_2, Key M), supports type 2280 PCIe Gen4x4 (64 Gb/s) mode*
- 1 x Hyper M.2 Socket (M2_3, Key M), supports type 2280 PCIe Gen4x4 (64 Gb/s) mode*
- 1 x Hyper M.2 Socket (M2_4, Key M), supports type 2280 PCIe Gen4x4 (64 Gb/s) mode*
- 6 x SATA3 6.0 Gb/s Connectors

* Supports NVMe SSD as boot disks

* M2_1 is the first priority for M.2 installation.

* M2_1 will run at Gen5x4 with 9000 and 7000 series processors and Gen4x4 with 8000 (Phoenix 1 and Phoenix 2) series processors.

RAID

- Supports RAID 0, RAID 1 and RAID 10 for SATA storage devices
- Supports RAID 0, RAID 1 and RAID 10 for M.2 NVMe storage devices

Connector

- 3 x Thermistor Cable Headers
- 1 x Power LED and Speaker Header
- 1 x RGB LED Header*
- 3 x Addressable LED Headers**
- 2 x CPU Fan Connector (4-pin) (Smart Fan Speed Control)***
- 4 x Chassis Fan Connectors (4-pin) (Smart Fan Speed Control)***
- 1 x AIO Pump Fan Connector (4-pin) (Smart Fan Speed Control)***
- 1 x Water Pump Fan Connector (4-pin) (Smart Fan Speed Control)***
- 1 x 24 pin ATX Power Connector (Hi-Density Power Connector)
- 2 x 8 pin 12V Power Connectors (Hi-Density Power Connector)
- 1 x Front Panel Audio Connector (15 μ Gold Audio Connector)
- 2 x USB 2.0 Headers (Support 4 USB 2.0 ports)
- 2 x USB 3.2 Gen1 Headers (Support 4 USB 3.2 Gen1 ports)
- 1 x Front Panel Type C USB 3.2 Gen2x2 Header (20 Gb/s)
- 1 x Dr. Debug with LED
- 1 x Power Button with LED
- 1 x Reset Button with LED

* Supports in total up to 12V/3A, 36W LED Strip

** Support in total up to 5V/3A, 15W LED Strip

*** CPU_FAN1 supports the fan power up to 1A (12W).

*** CPU_FAN2, CHA_FAN1~4, AIO_PUMP and W_PUMP support the fan power up to 3A (36W).

*** CPU_FAN2, CHA_FAN1~4, AIO_PUMP and W_PUMP can auto detect if 3-pin or 4-pin fan is in use.

**BIOS
Feature**

- AMI UEFI Legal BIOS with GUI support

OS

- Microsoft® Windows® 10 64-bit / 11 64-bit

**Certifica-
tions**

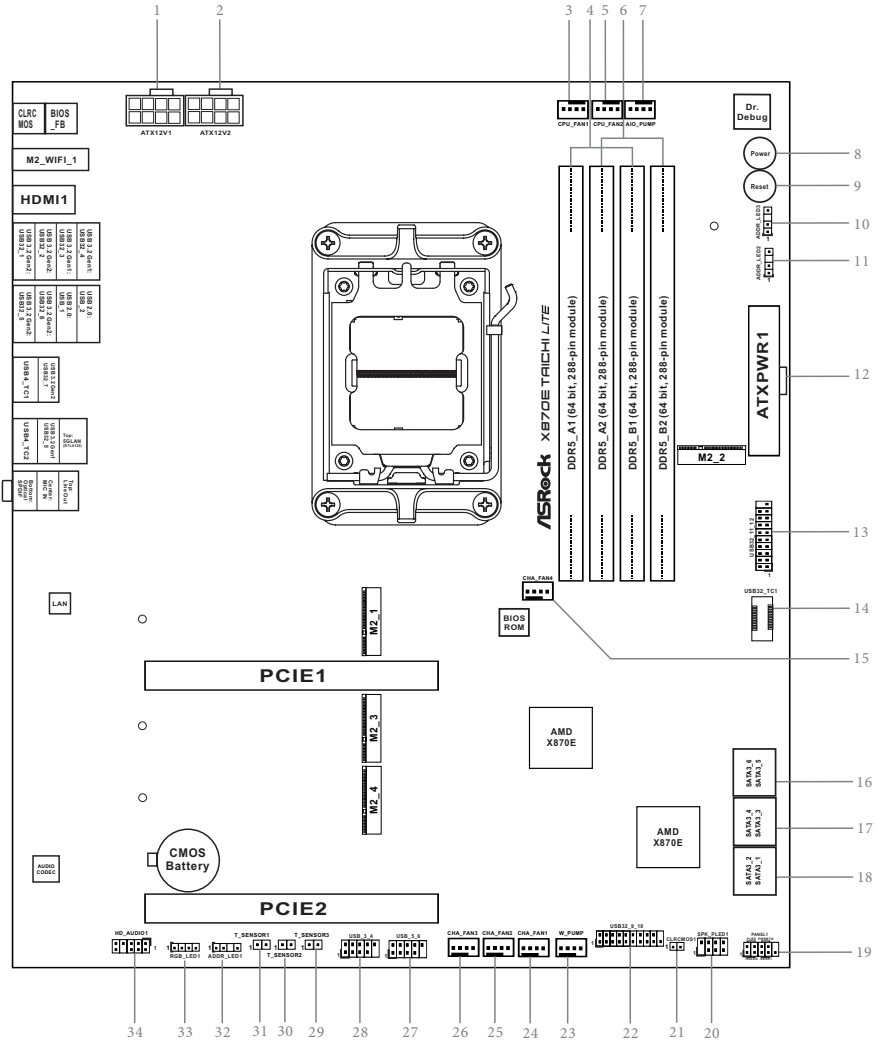
- FCC, CE
- ErP/EuP ready (ErP/EuP ready power supply is required)

* For detailed product information, please visit our website: <http://www.asrock.com>



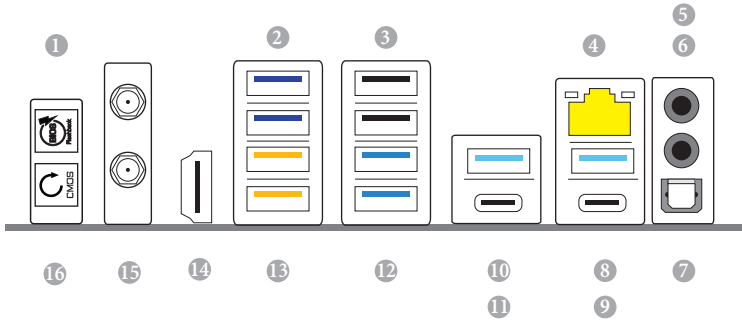
Please realize that there is a certain risk involved with overclocking, including adjusting the setting in the BIOS, applying Untied Overclocking Technology, or using third-party overclocking tools. Overclocking may affect your system's stability, or even cause damage to the components and devices of your system. It should be done at your own risk and expense. We are not responsible for possible damage caused by overclocking.

1.3 Motherboard Layout



| No. | Description |
|-----|--|
| 1 | 8 pin 12V Power Connector (ATX12V1) |
| 2 | 8 pin 12V Power Connector (ATX12V2) |
| 3 | CPU Fan Connector (CPU_FAN1) |
| 4 | 2 x 288-pin DDR5 DIMM Slots (DDR5_A1, DDR5_B1) |
| 5 | CPU Fan Connector (CPU_FAN2) |
| 6 | 2 x 288-pin DDR5 DIMM Slots (DDR5_A2, DDR5_B2) |
| 7 | AIO Pump Fan Connector (AIO_PUMP) |
| 8 | Power Button (PWRBTN1) |
| 9 | Reset Button (RSTBTN1) |
| 10 | Addressable LED Header (ADDR_LED3) |
| 11 | Addressable LED Header (ADDR_LED2) |
| 12 | ATX Power Connector (ATXPWR1) |
| 13 | USB 3.2 Gen1 Header (USB32_11_12) |
| 14 | Front Panel Type C USB 3.2 Gen2x2 Header (USB32_TC1) |
| 15 | Chassis Fan Connector (CHA_FAN4) |
| 16 | SATA3 Connectors (SATA3_6)(Upper), (SATA3_5)(Lower) |
| 17 | SATA3 Connectors (SATA3_4)(Upper), (SATA3_3)(Lower) |
| 18 | SATA3 Connectors (SATA3_2)(Upper), (SATA3_1)(Lower) |
| 19 | System Panel Header (PANEL1) |
| 20 | Power LED and Speaker Header (SPK_PLED1) |
| 21 | Clear CMOS Jumper (CLRCMOS1) |
| 22 | USB 3.2 Gen1 Header (USB32_9_10) |
| 23 | Water Pump Fan Connector (W_PUMP) |
| 24 | Chassis Fan Connector (CHA_FAN1) |
| 25 | Chassis Fan Connector (CHA_FAN2) |
| 26 | Chassis Fan Connector (CHA_FAN3) |
| 27 | USB 2.0 Header (USB_5_6) |
| 28 | USB 2.0 Header (USB_3_4) |
| 29 | Thermistor Cable Header (T_SENSOR3) |
| 30 | Thermistor Cable Header (T_SENSOR2) |
| 31 | Thermistor Cable Header (T_SENSOR1) |
| 32 | Addressable LED Header (ADDR_LED1) |
| 33 | RGB LED Header (RGB_LED1) |
| 34 | Front Panel Audio Header (HD_AUDIO1) |

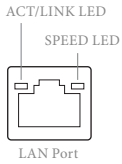
1.4 I/O Panel



| No. | Description | No. | Description |
|-----|--|-----|---------------------------|
| 1 | BIOS Flashback Button | 10 | USB 3.2 Gen2 Type-A Port |
| 2 | USB 3.2 Gen1 Type-A Ports (USB32_34)* | | (USB32_7) |
| 3 | USB 2.0 Ports (USB_12) | 11 | USB4 Type-C Port |
| 4 | 5G LAN RJ-45 Port** | | (USB4_TC1) |
| 5 | Line Out Jack*** | 12 | USB 3.2 Gen2 Type-A Ports |
| 6 | Microphone Input Jack*** | | (USB32_56) |
| 7 | Optical SPDIF Out Port | 13 | USB 3.2 Gen2 Type-A Ports |
| 8 | USB 3.2 Gen1 Type-A Port (USB32_8) | | (USB32_12)**** |
| 9 | USB4 Type-C Port (USB4_TC2) | 14 | HDMI Port |
| | | 15 | Antenna Ports |
| | | 16 | Clear CMOS button |

* Ultra USB Power is supported on USB32_34 ports. ACPI wake-up function is not supported on USB32_34 ports.

**There are two LEDs on each LAN port. Please refer to the table below for the LAN port LED indications.



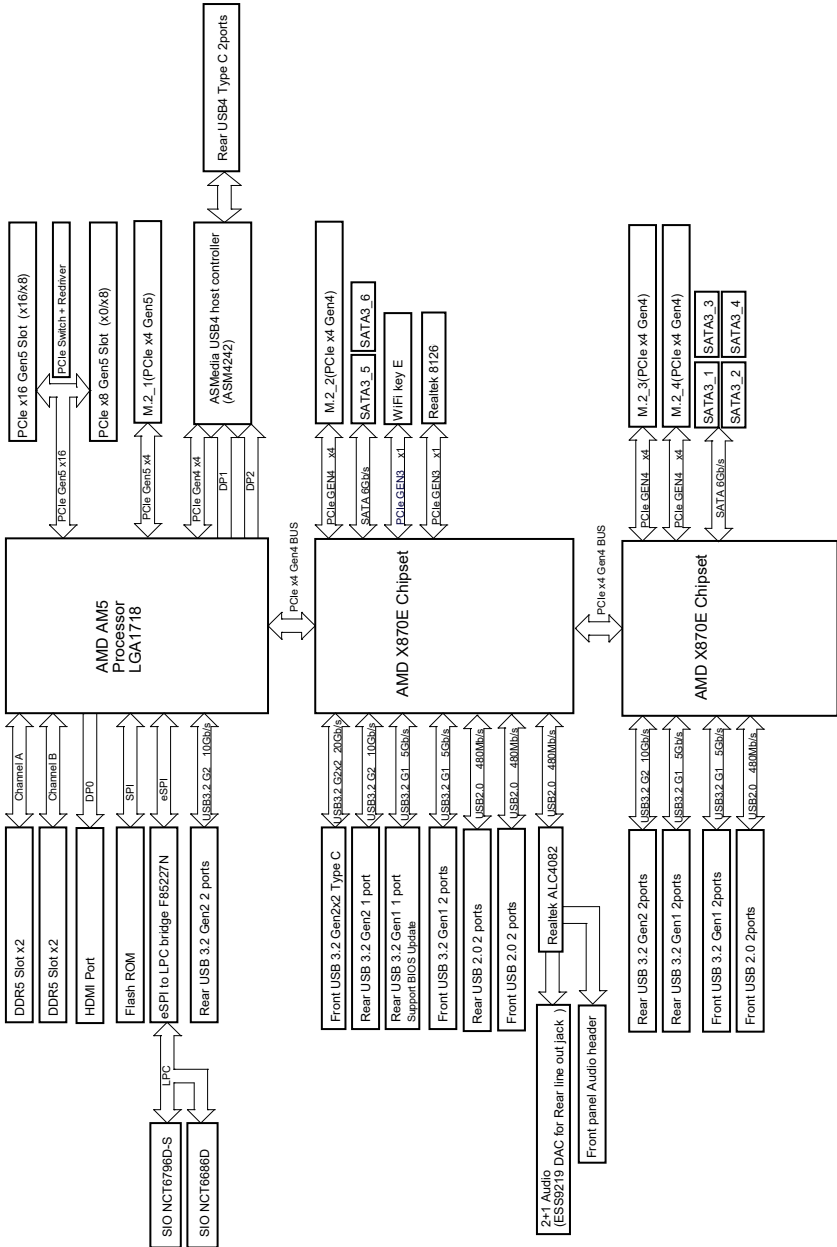
| Activity / Link LED | | Speed LED | |
|---------------------|---------------|-----------|------------------------------|
| Status | Description | Status | Description |
| Off | No Link | Off | 10Mbps connection |
| Blinking | Data Activity | Orange | 100Mbps/1Gbps/2.5 connection |
| On | Link | Green | 5Gbps connection connection |

*** Function of the Audio Ports in 2, 4 or 5.1-channel Configuration:

| Channel | Port | Function |
|---------|---------------------------------------|-------------------------------|
| 2ch | Line Out Jack (Rear Panel) | Front speaker out |
| 4ch | Pink-Mic (Front Panel) | Rear speaker out |
| 5.1ch | Microphone Input Jack (Rear Panel) | Central/Subwoofer speaker out |

**** USB32_12 are the Lightning Gaming Ports.

1.5 Block Diagram



1.6 802.11be Wi-Fi 7 Module and ASRock WiFi 2.4/5/6 GHz Antenna

802.11be Wi-Fi 7 + BT Module

This motherboard comes with an exclusive 802.11 a/b/g/n/ac/ax/axe/be Wi-Fi 7 + BT v5.4 module that offers support for 802.11 a/b/g/n/ac/ax/axe/be Wi-Fi 7 connectivity standards and Bluetooth v5.4. Wi-Fi 7 + BT module is an easy-to-use wireless local area network (WLAN) adapter to support Wi-Fi 7 + BT. Bluetooth v5.4 standard features Smart Ready technology that adds a whole new class of functionality into the mobile devices.

* The transmission speed may vary according to the environment.

* Wi-Fi 7 (6GHz band) will be supported by Microsoft® Windows® 11. The availability will depend on the different regulation status of each country and region. It will be activated (for supported countries) through Windows Update and software updates once available.

Chapter 2 Installation

This is an EATX form factor motherboard. Before you install the motherboard, study the configuration of your chassis to ensure that the motherboard fits into it.

Pre-installation Precautions

Take note of the following precautions before you install motherboard components or change any motherboard settings.

- Make sure to unplug the power cord before installing or removing the motherboard components. Failure to do so may cause physical injuries and damages to motherboard components.
- In order to avoid damage from static electricity to the motherboard's components, NEVER place your motherboard directly on a carpet. Also remember to use a grounded wrist strap or touch a safety grounded object before you handle the components.
- Hold components by the edges and do not touch the ICs.
- Whenever you uninstall any components, place them on a grounded anti-static pad or in the bag that comes with the components.
- When placing screws to secure the motherboard to the chassis, please do not over-tighten the screws! Doing so may damage the motherboard.

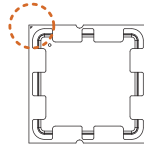
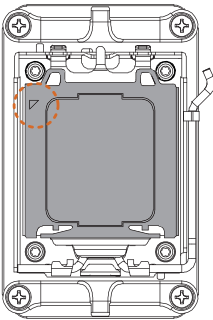
2.1 Installing the CPU



1. Before you insert the 1718-Pin CPU into the socket, please check if the **PnP cap** is on the socket, if the CPU surface is unclean, or if there are any **bent pins** in the socket. Do not force to insert the CPU into the socket if above situation is found. Otherwise, the CPU will be seriously damaged.
2. Unplug all power cables before installing the CPU.

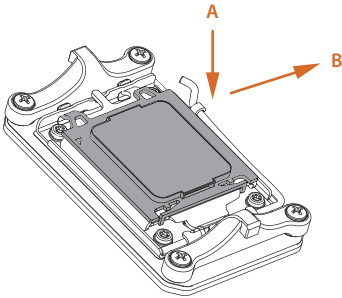


Tutorial Video

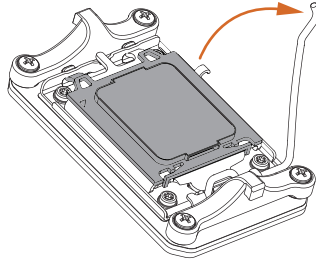


Turn your CPU to the correct orientation before opening the CPU socket cover.

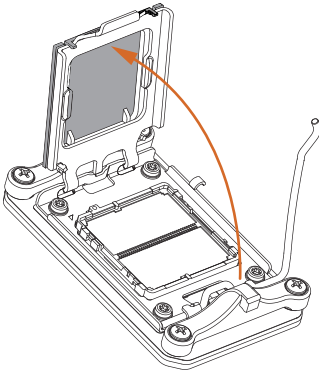
1



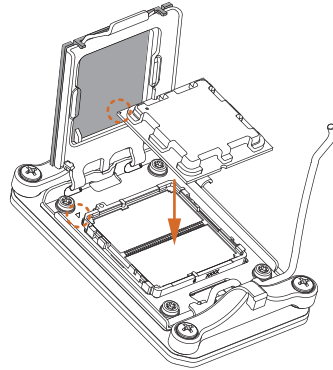
2



3

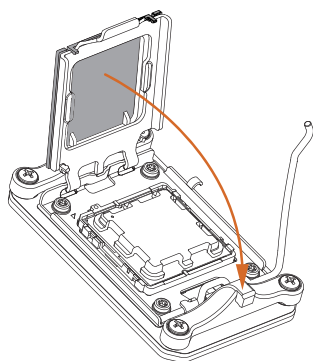


4

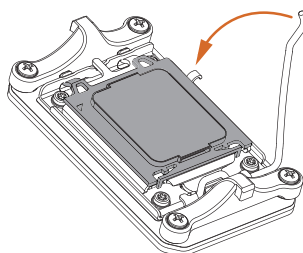



Carefully place the CPU in as flat as possible. Do not drop it.

5

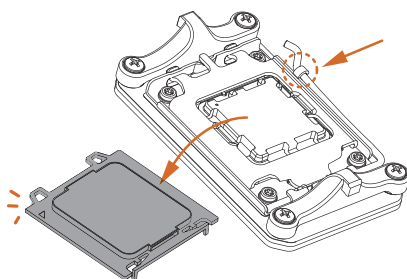



6



 Make sure the CPU is aligned with the socket before locking it into place.

7



 Make sure the black cover plate is always in place until it pops off when closing the socket lever.



Please save the cover if the processor is removed. The cover must be placed if you wish to return the motherboard for after service.

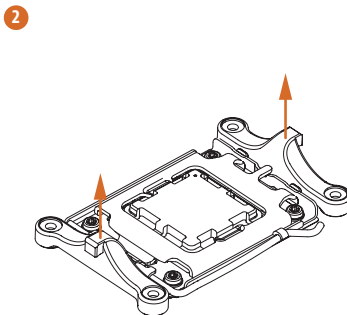
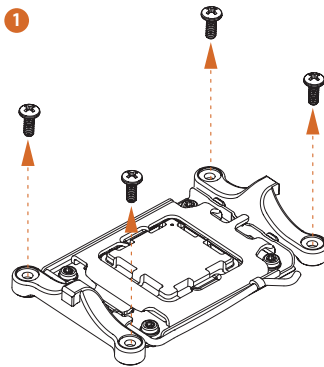
2.2 Installing the CPU Fan and Heatsink

After you install the CPU into this motherboard, it is necessary to install a larger heatsink and cooling fan to dissipate heat. You also need to spray thermal grease between the CPU and the heatsink to improve heat dissipation. Make sure that the CPU and the heatsink are securely fastened and in good contact with each other.

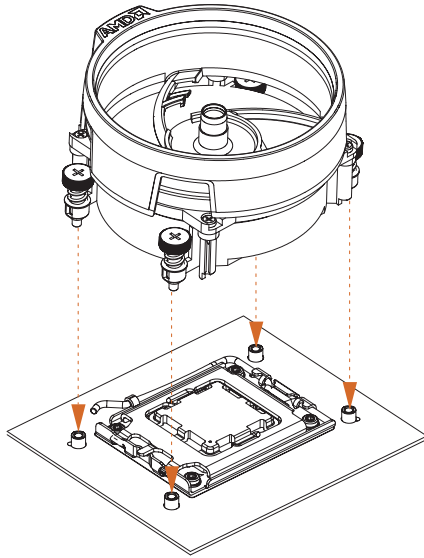


Please turn off the power or remove the power cord before changing a CPU or heatsink.

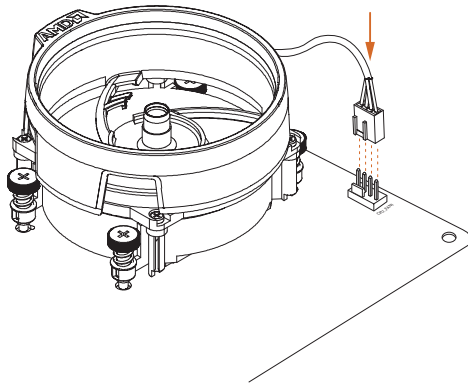
Installing the CPU Cooler (Type 1)



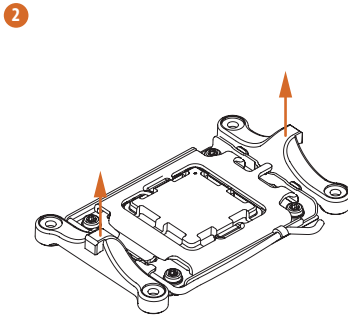
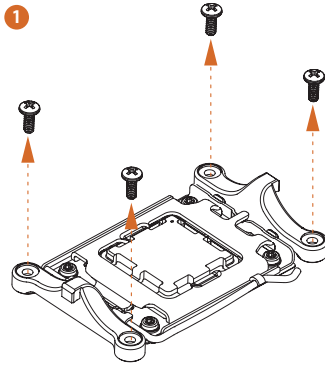
3



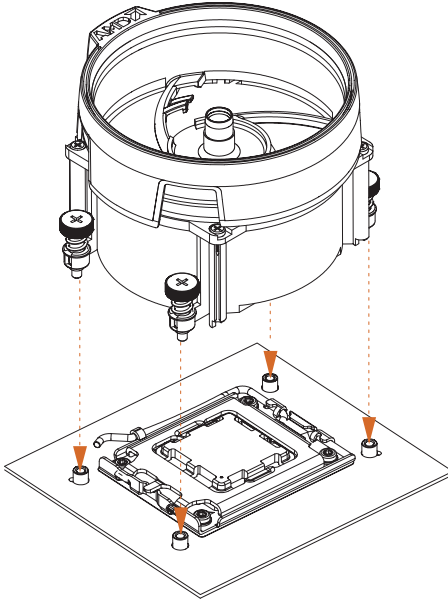
4



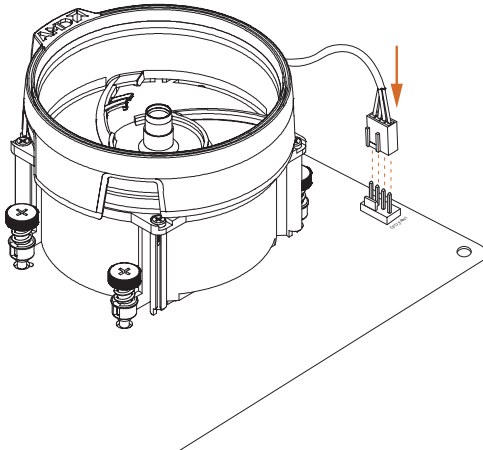
Installing the CPU Cooler (Type 2)

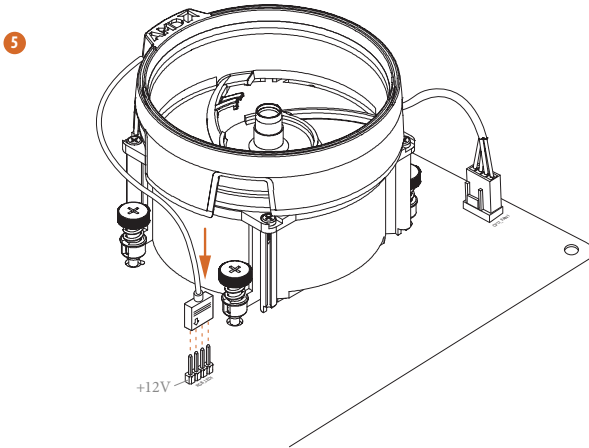


3



4

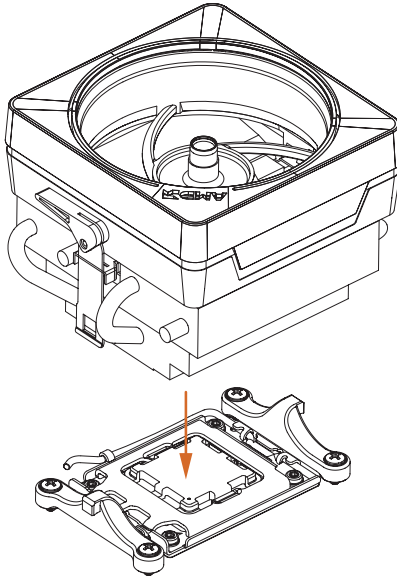




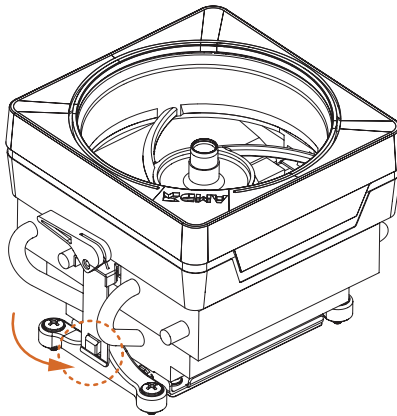
*The illustrations shown here are for reference purposes only and may not exactly match the model you purchase.

Installing the CPU Cooler (Type 3)

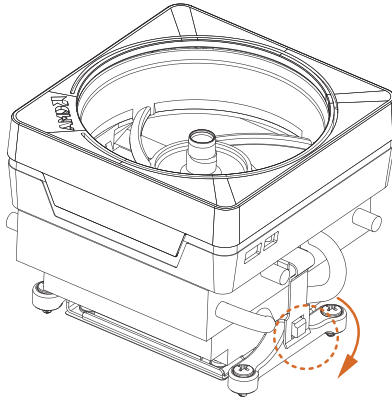
1



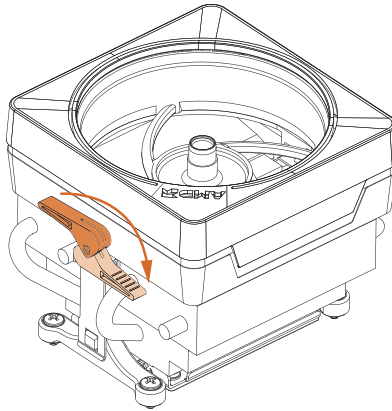
2



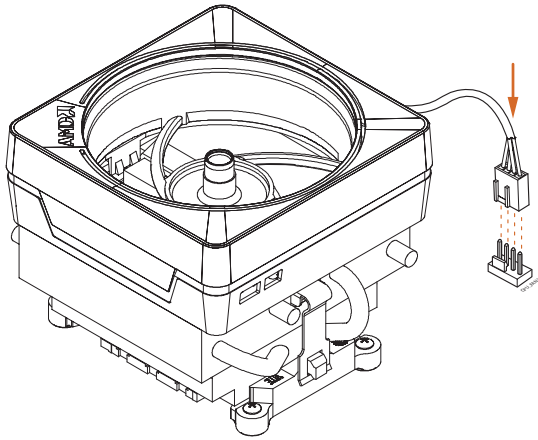
3



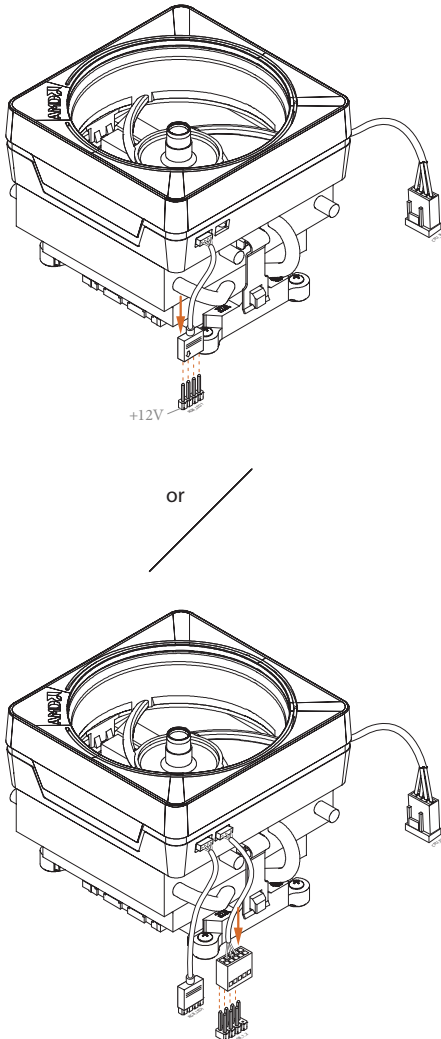
4



5



6



Please note that only one cable should be used at a time in this step.

If you select RGB_LED1, please install ASRock utility "ASRock Polychrome SYNC".

If you select USB connector, please install AMD utility "SR3 Settings Software".

*The illustrations shown here are for reference purposes only and may not exactly match the model you purchase.

2.3 Installing Memory Modules (DIMM)

This motherboard provides four 288-pin DDR5 (Double Data Rate 5) DIMM slots, and supports Dual Channel Memory Technology.



1. For dual channel configuration, you always need to install identical (the same brand, speed, size and chip-type) DDR5 DIMM pairs.
2. It is unable to activate Dual Channel Memory Technology with only one or three memory module installed.
3. It is not allowed to install a DDR, DDR2, DDR3 or DDR4 memory module into a DDR5 slot; otherwise, this motherboard and DIMM may be damaged.
4. The DIMM only fits in one correct orientation. It will cause permanent damage to the motherboard and the DIMM if you force the DIMM into the slot at incorrect orientation.

Recommended Memory Configuration

1 DIMM



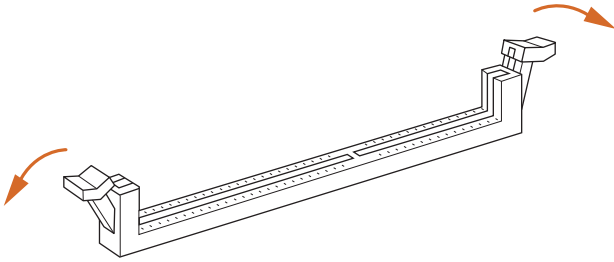
2 DIMMs



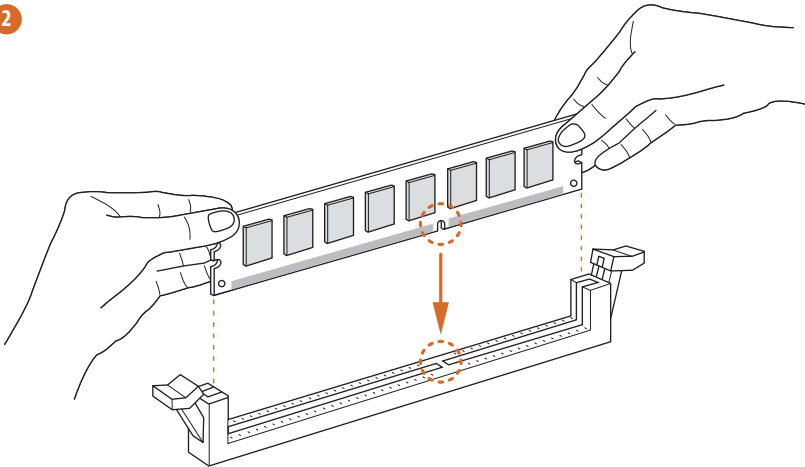
4 DIMMs



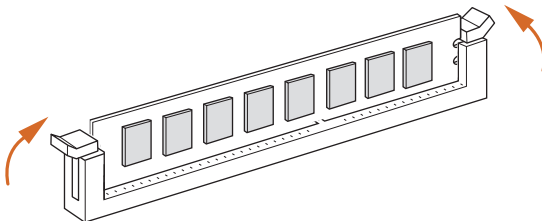
1



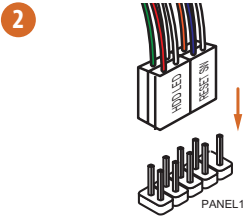
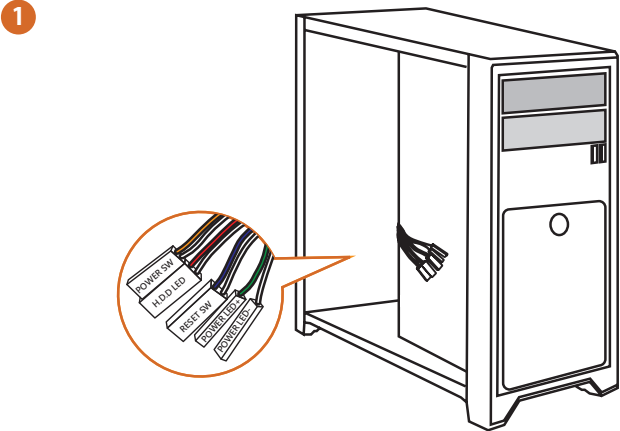
2



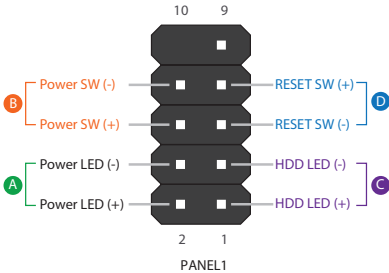
3



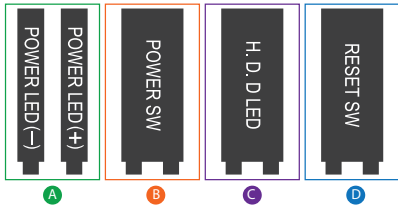
2.4 Connecting the Front Panel Header



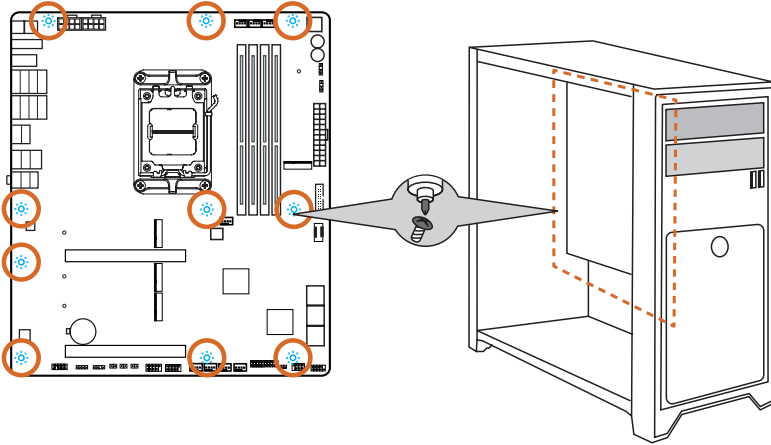
System Panel Header



Front Panel Wires

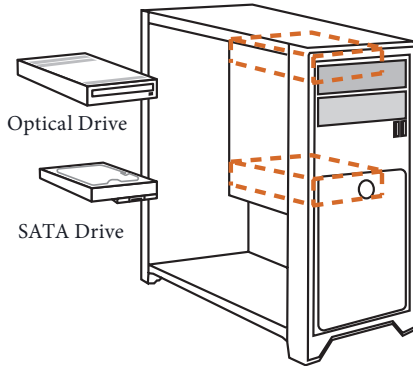


2.5 Installing the Motherboard

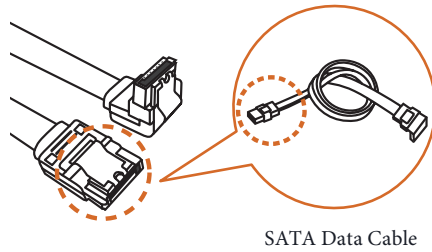


2.6 Installing SATA Drives

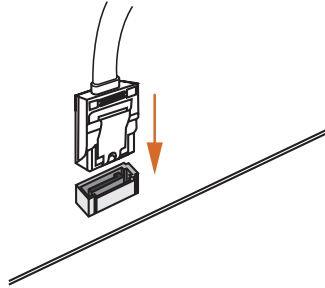
1



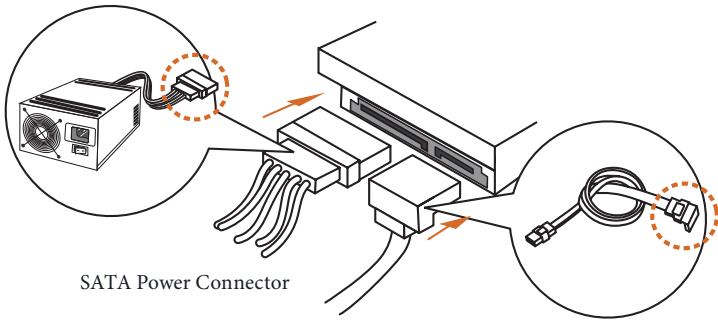
2



3



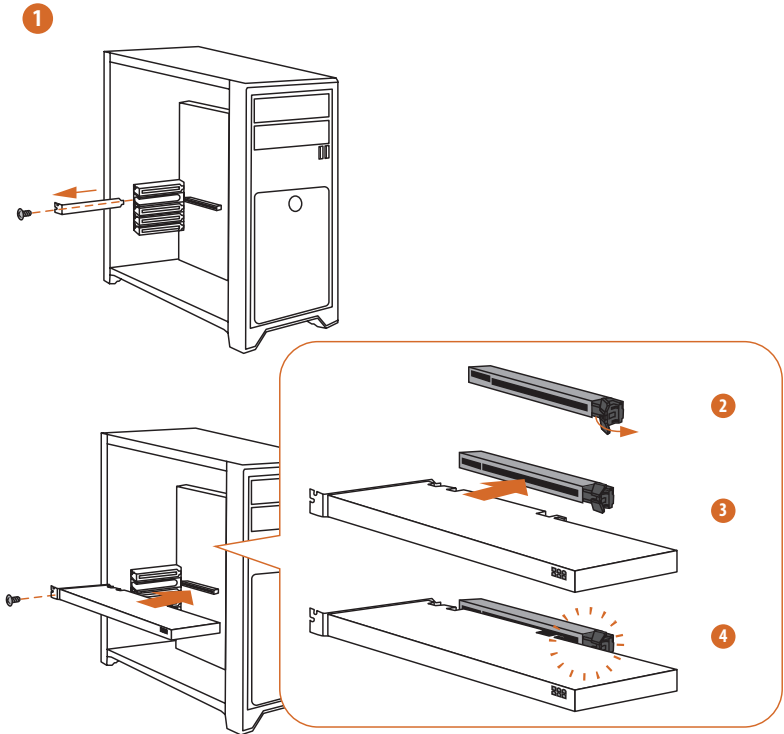
4



SATA Power Connector

SATA Data Connector

2.7 Installing a Graphics Card



Expansion Slots (PCIe Slots)

There are 2 PCI Express slots on the motherboard.



Before installing an expansion card, please make sure that the power supply is switched off or the power cord is unplugged. Please read the documentation of the expansion card and make necessary hardware settings for the card before you start the installation.

PCIe slots:

PCIe1 (PCIe 5.0 x16 slot) is used for PCIe x16 lane width graphics cards.

PCIe2 (PCIe 5.0 x16 slot) is used for PCIe x8 lane width graphics cards.

* PCIe1 will run at Gen5x16 with 9000 and 7000 series processors, Gen4x8 with 8000 (Phoenix 1) series processors and Gen4x4 with 8000 (Phoenix 2) series processors.

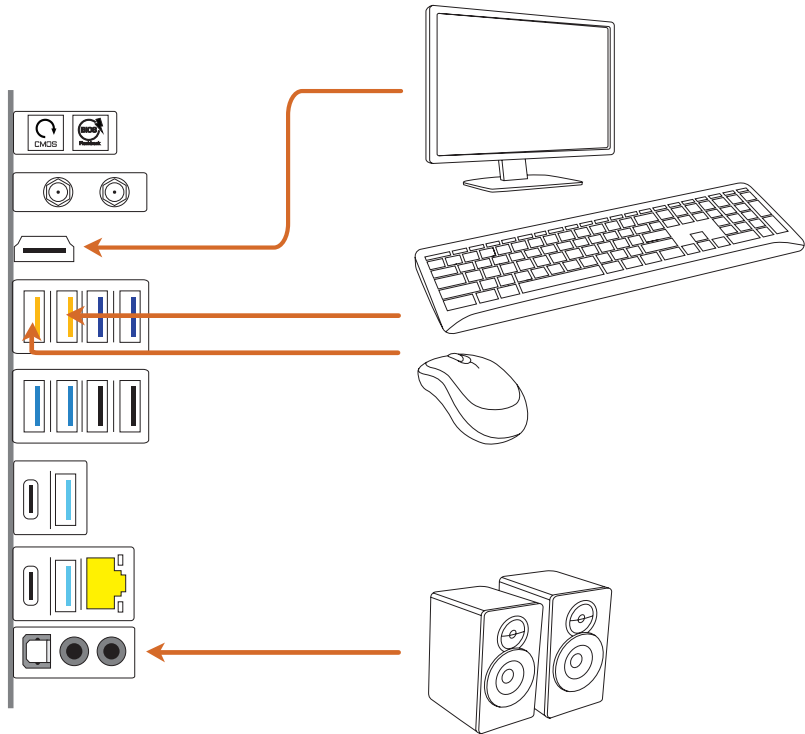
PCIe Slot Configurations

| | PCIe1 | PCIe2 |
|--|---------|--------|
| Single Graphics Card | Gen5x16 | N/A |
| Two Graphics Cards in CrossFire™ Mode | Gen5x8 | Gen5x8 |

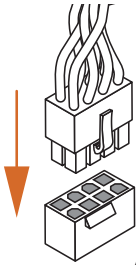
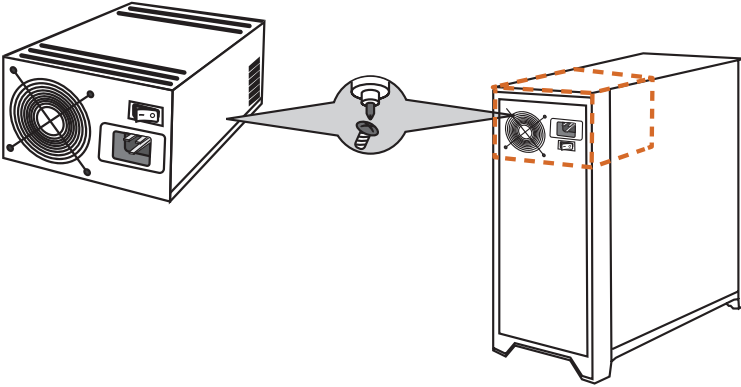


For a better thermal environment, please connect a chassis fan to the motherboard's chassis fan connector (CHA_FAN1~4, AIO_PUMP and W_PUMP) when using multiple graphics cards.

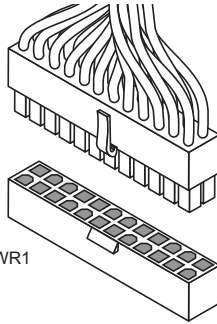
2.8 Connecting Peripheral Devices



2.9 Connecting the Power Connectors

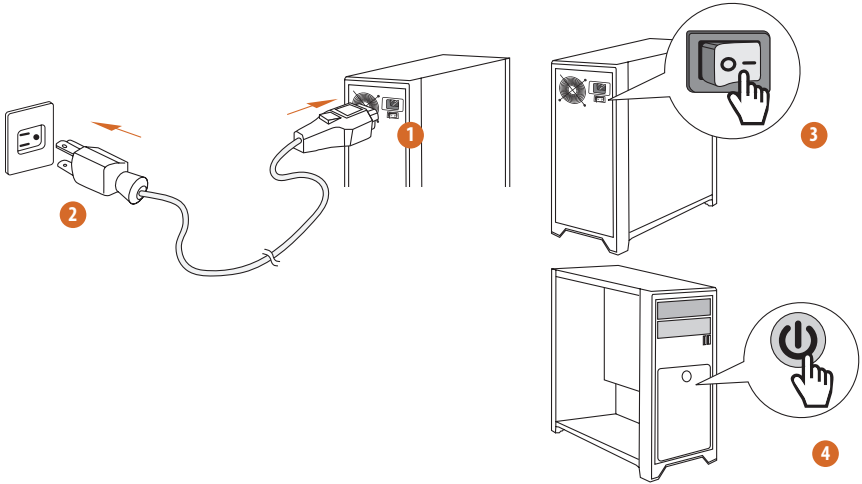


ATX12V1



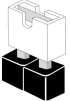
ATXPWR1

2.10 Power On



2.1 Jumpers Setup

The illustration shows how jumpers are setup. When the jumper cap is placed on the pins, the jumper is “Short”. If no jumper cap is placed on the pins, the jumper is “Open”.



Short

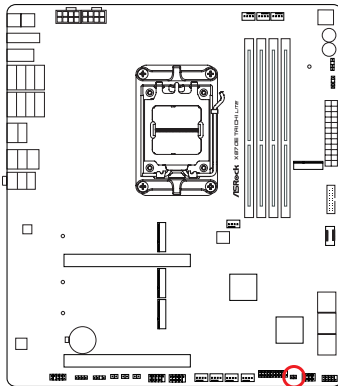


Open

Clear CMOS Jumper

(CLR CMOS1) (see p.7, No. 21)

CLR CMOS1 allows you to clear the data in CMOS. The data in CMOS includes system setup information such as system password, date, time, and system setup parameters. To clear and reset the system parameters to default setup, please turn off the computer and unplug the power cord, then use a jumper cap to short the pins on CLR CMOS1 for 3 seconds. Please remember to remove the jumper cap after clearing the CMOS. If you need to clear the CMOS when you just finish updating the BIOS, you must boot up the system first, and then shut it down before you do the clear-CMOS action.



CLR CMOS1



2-pin Jumper

Short: Clear CMOS

Open: Default

2.12 Onboard Headers and Connectors

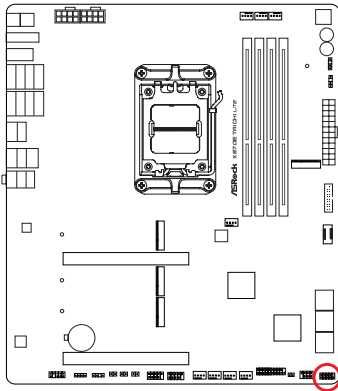


Onboard headers and connectors are NOT jumpers. Do NOT place jumper caps over these headers and connectors. Placing jumper caps over the headers and connectors will cause permanent damage to the motherboard.

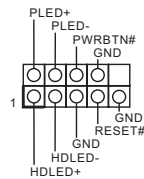
System Panel Header

(9-pin PANEL1) (see p.7, No. 19)

Connect the power button, reset button and system status indicator on the chassis to this header according to the pin assignments below. Note the positive and negative pins before connecting the cables.



PANEL1



PWRBTN (Power Button):

Connect to the power button on the chassis front panel. You may configure the way to turn off your system using the power button.

RESET (Reset Button):

Connect to the reset button on the chassis front panel. Press the reset button to restart the computer if the computer freezes and fails to perform a normal restart.

PLED (System Power LED):

Connect to the power status indicator on the chassis front panel. The LED is on when the system is operating. The LED keeps blinking when the system is in S1/S3 sleep state. The LED is off when the system is in S4 sleep state or powered off (S5).

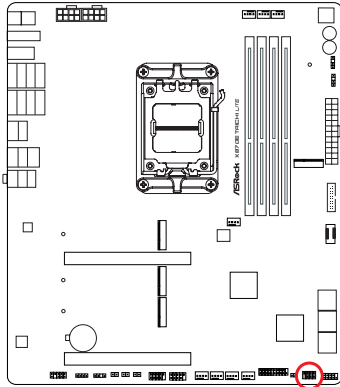
HDLED (Hard Drive Activity LED):

Connect to the hard drive activity LED on the chassis front panel. The LED is on when the hard drive is reading or writing data.

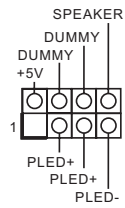
The front panel design may differ by chassis. A front panel module mainly consists of power button, reset button, power LED, hard drive activity LED, speaker and etc. When connecting your chassis front panel module to this header, make sure the wire assignments and the pin assignments are matched correctly.

Power LED and Speaker Header
(7-pin SPK_PLED1) (see p.7, No. 20)

Please connect the chassis power LED and the chassis speaker to this header.



SPK_PLED1



Serial ATA3 Connectors

Right Angle:

(SATA3_1) (see p.7, No. 18)(Lower)

(SATA3_2) (see p.7, No. 18)(Upper)

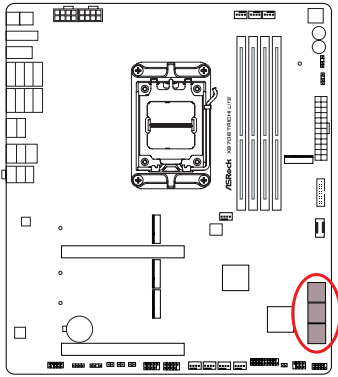
(SATA3_3) (see p.7, No. 17)(Lower)

(SATA3_4) (see p.7, No. 17)(Upper)

(SATA3_5) (see p.7, No. 16)(Lower)

(SATA3_6) (see p.7, No. 16)(Upper)

These six SATA3 connectors support SATA data cables for internal storage devices with up to 6.0 Gb/s data transfer rate.



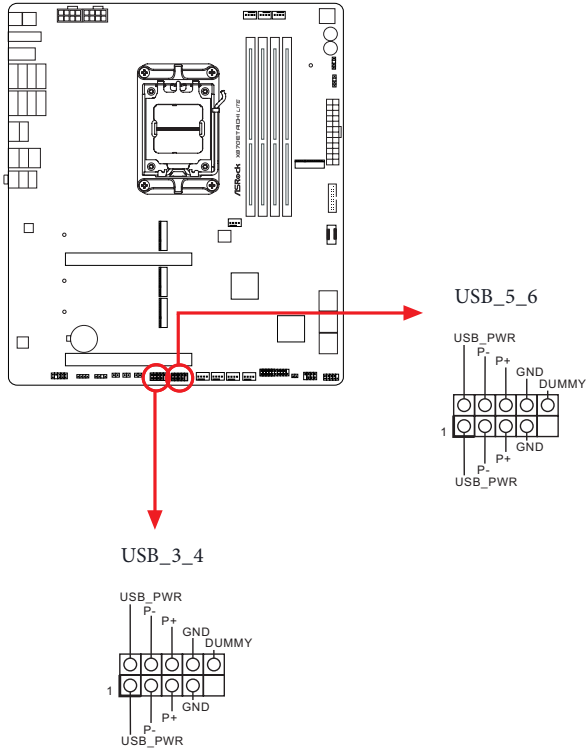
SATA3_2 SATA3_4 SATA3_6
SATA3_1 SATA3_3 SATA3_5

USB 2.0 Headers

(9-pin USB_3_4) (see p.7, No. 28)

(9-pin USB_5_6) (see p.7, No. 27)

There are two headers on this motherboard. Each USB 2.0 header can support two ports.

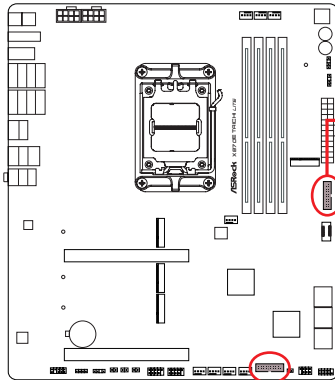


USB 3.2 Gen1 Headers

(19-pin USB32_9_10) (see p.7, No. 22)

(19-pin USB32_11_12) (see p.7, No. 13)

There are two headers on this motherboard. Each USB 3.2 Gen1 header can support two ports.



USB32_11_12

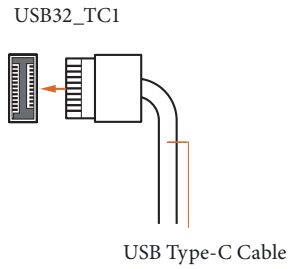
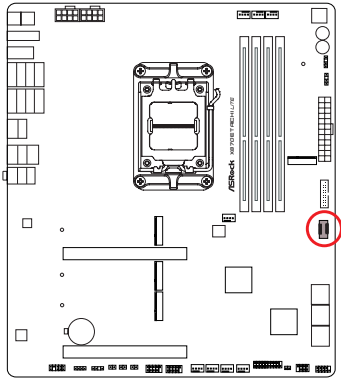
| | |
|----|---------------|
| 1 | Vbus |
| 2 | IntA_PB_SSRX- |
| 3 | IntA_PB_SSRX+ |
| 4 | GND |
| 5 | IntA_PB_SSTX- |
| 6 | IntA_PB_SSTX+ |
| 7 | GND |
| 8 | IntA_PB_D- |
| 9 | IntA_PB_D+ |
| 10 | Dummy |

USB32_9_10

| | |
|----|--------------|
| 1 | IntA_P_D+ |
| 2 | IntA_P_D- |
| 3 | GND |
| 4 | IntA_P_SSTX+ |
| 5 | IntA_P_SSTX- |
| 6 | GND |
| 7 | IntA_P_SSRX+ |
| 8 | IntA_P_SSRX- |
| 9 | Vbus |
| 10 | Vbus |
| 11 | GND |
| 12 | IntA_P_SSTX- |
| 13 | IntA_P_SSTX+ |
| 14 | GND |
| 15 | IntA_P_D- |
| 16 | IntA_P_D+ |
| 17 | ID |

Front Panel Type C USB 3.2 Gen2x2 Header
(20-pin USB32_TC1) (see p.7, No. 14)

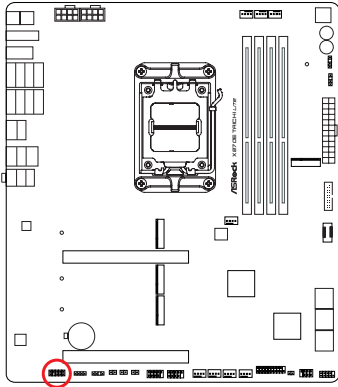
There is one Front Panel Type C USB 3.2 Gen2x2 Header on this motherboard.
This header is used for connecting a USB 3.2 Gen2x2 module for additional USB 3.2 Gen2x2 ports.



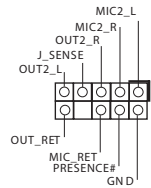
Front Panel Audio Header

(9-pin HD_AUDIO1) (see p.7, No. 34)

This header is for connecting audio devices to the front audio panel.



HD_AUDIO1



High Definition Audio supports Jack Sensing, but the panel wire on the chassis must support HDA to function correctly. Please follow the instructions in our manual and chassis manual to install your system.

Chassis Fan Connectors

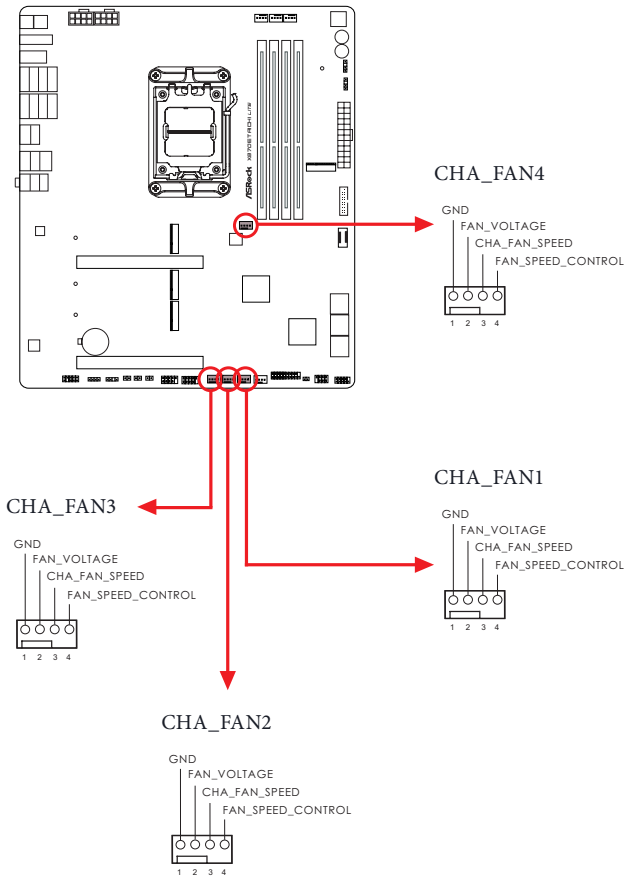
(4-pin CHA_FAN1) (see p.7, No. 24)

(4-pin CHA_FAN2) (see p.7, No. 25)

(4-pin CHA_FAN3) (see p.7, No. 26)

(4-pin CHA_FAN4) (see p.7, No. 15)

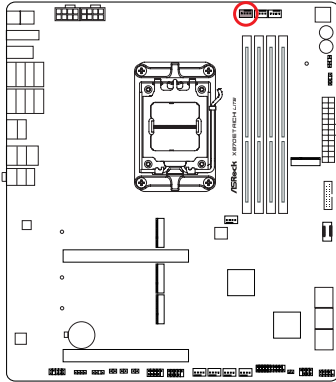
This header allows you to connect Case or Radiator fan. If you plan to connect a 3-pin fan, please connect it to Pin 1-3.



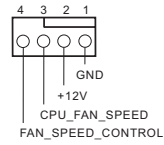
CPU Fan Connector

(4-pin CPU_FAN1) (see p.7, No. 3)

This header allows you to connect CPU fan. If you plan to connect a 3-pin fan, please connect it to Pin 1-3.



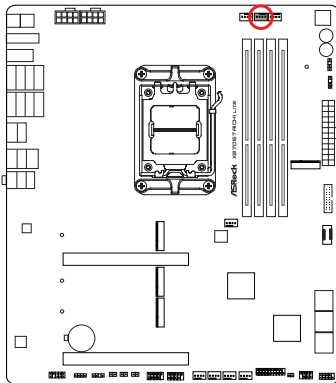
CPU_FAN1



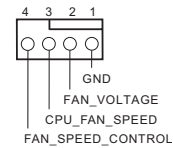
CPU Fan Connector

(4-pin CPU_FAN2) (see p.7, No. 5)

This header allows you to connect CPU fan or Water Pump. If you plan to connect a 3-pin fan, please connect it to Pin 1-3.



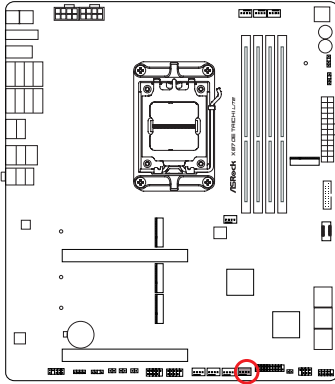
CPU_FAN2



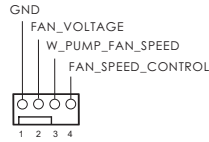
Water Pump Fan Connector

(4-pin W_PUMP) (see p.7, No. 23)

This header allows you to connect Water Pump or fan. If you plan to connect a 3-pin fan, please connect it to Pin 1-3.



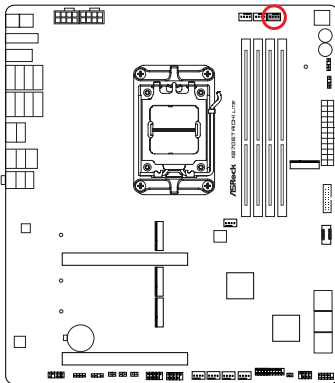
W_PUMP



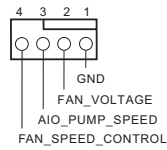
AIO Pump Fan Connector

(4-pin AIO_PUMP) (see p.7, No. 7)

This header allows you to connect AIO (All-in-One) pump or fan. If you plan to connect a 3-pin AIO cooler fan, please connect it to Pin 1-3.



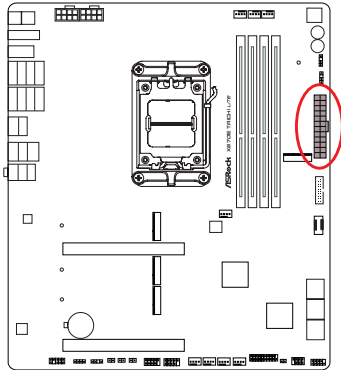
AIO_PUMP



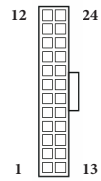
ATX Power Connector

(24-pin ATXPWR1) (see p.7, No. 12)

This motherboard provides a 24-pin ATX power connector. To use a 20-pin ATX power supply, please plug it along Pin 1 and Pin 13.



ATXPWR1



ATX 12V Power Connectors

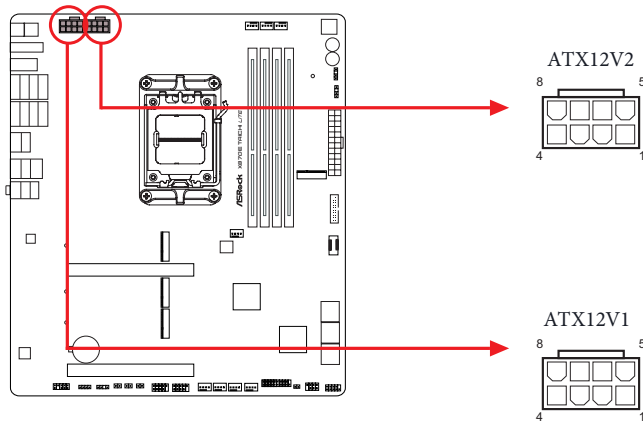
(8-pin ATX12V1) (see p.7, No. 1)

(8-pin ATX12V2) (see p.7, No. 2)

This motherboard provides two 8-pin ATX 12V power connectors. To use a 4-pin ATX power supply, please plug it along Pin 1 and Pin 5.

*Connecting an ATX 12V 8-pin cable to ATX12V2 is optional.

***Warning: Please make sure that the power cable connected is for the CPU and not the graphics card. Do not plug the PCIe power cable to this connector.**



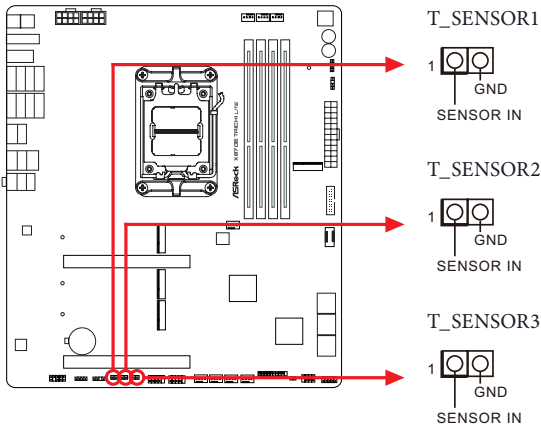
Thermistor Cable Headers

(2-pin T_SENSOR1) (see p.7, No. 31)

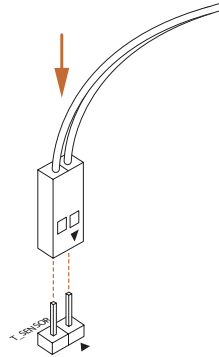
(2-pin T_SENSOR2) (see p.7, No. 30)

(2-pin T_SENSOR3) (see p.7, No. 29)

The Thermistor Cable Headers are used to connect thermistor cables to monitor the temperature of the critical components. Plug the thermistor cables that come with the package to these headers, and then attach the sensor ends to the components to detect their temperature.



Connect your Thermistor Cables to the **Thermistor Cable Headers (T_SENSOR1 / T_SENSOR2 / T_SENSOR3)** on the motherboard.

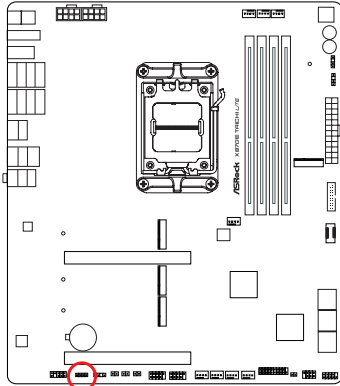


RGB LED Header

(4-pin RGB_LED1) (see p.7, No. 33)

This RGB header is used to connect RGB LED extension cable which allow users to choose from various LED lighting effects.

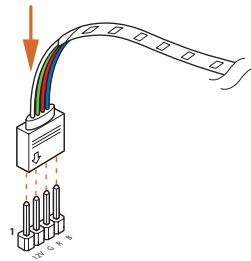
Caution: Never install the RGB LED cable in the wrong orientation; otherwise, the cable may be damaged.



RGB_LED1



Connect your RGB LED strip to the **RGB LED Header (RGB_LED1)** on the motherboard.



1. Never install the RGB LED cable in the wrong orientation; otherwise, the cable may be damaged.
2. Before installing or removing your RGB LED cable, please power off your system and unplug the power cord from the power supply. Failure to do so may cause damages to motherboard components.



1. Please note that the RGB LED strips do not come with the package.
2. The RGB LED header supports standard 5050 RGB LED strip (12V/G/R/B), with a maximum power rating of 3A (12V) and length within 2 meters.

Addressable LED Headers

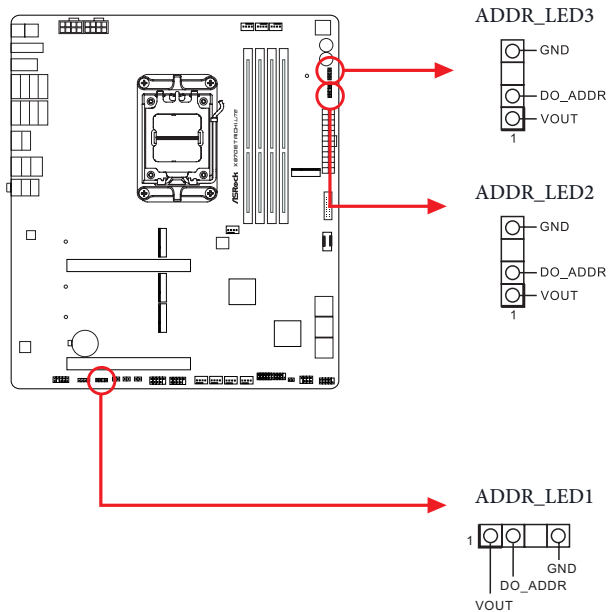
(3-pin ADDR_LED1) (see p.7, No. 32)

(3-pin ADDR_LED2) (see p.7, No. 11)

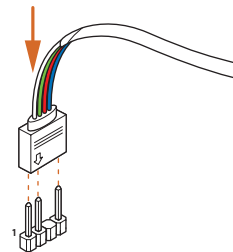
(3-pin ADDR_LED3) (see p.7, No. 10)

These headers are used to connect Addressable LED extension cables which allow users to choose from various LED lighting effects.

Caution: Never install the Addressable LED cable in the wrong orientation; otherwise, the cable may be damaged.



Connect your Addressable RGB LED strips to the **Addressable LED Headers (ADDR_LED1 / ADDR_LED2 / ADDR_LED3)** on the motherboard.



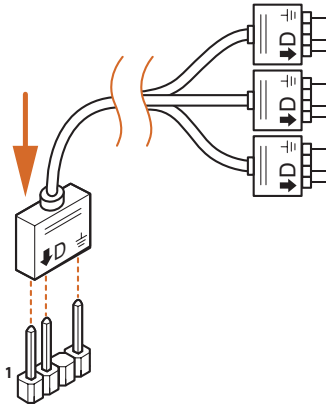


1. Never install the Addressable LED cable in the wrong orientation; otherwise, the cable may be damaged.
2. Before installing or removing your Addressable LED cable, please power off your system and unplug the power cord from the power supply. Failure to do so may cause damages to motherboard components.



1. Please note that the Addressable LED strips do not come with the package.
2. The Addressable LED header supports WS2812B addressable RGB LED strip (5V/Data/GND), with a maximum power rating of 3A (5V) and length within 2 meters.

The ARGB Splitter Cable that comes with the package allows you to extend and connect various addressable RGB LED strips or devices through a single 3-pin Addressable LED Header on the motherboard.



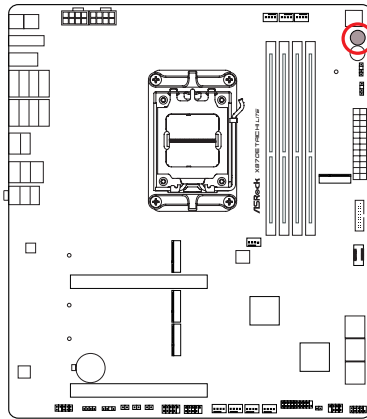
2.13 Smart Buttons

The motherboard has four smart switches: Power Button, Reset Button, Clear CMOS Buttons and BIOS Flashback Button, allowing users to quickly turn on/off the system, reset the system, clear the CMOS values or flash the BIOS.

Power Button

(PWRBTN1) (see p.7, No. 8)

Power Button allows users to quickly turn on/off the system.



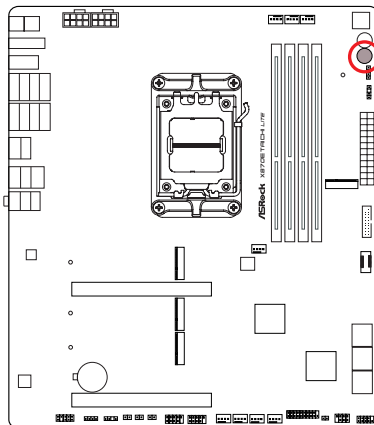
PWRBTN1



Reset Button

(RSTBTN1) (see p.7, No. 9)

Reset Button allows users to quickly reset the system.



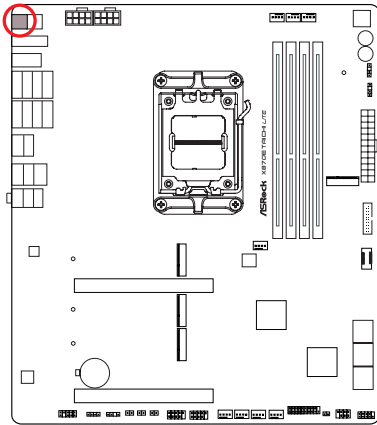
RSTBTN1



Clear CMOS Button

(CLR_CMOS) (see p.9, No. 16)

Clear CMOS Button allows users to quickly clear the CMOS values.



CLR_CMOS

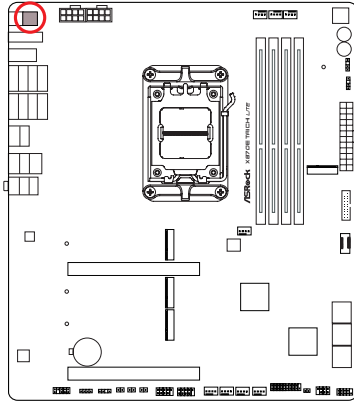


This function is workable only when you power off your computer and unplug the power supply.

BIOS Flashback Button

(BIOS_FB) (see p.9, No. 1)

BIOS Flashback Button allows users to flash the BIOS.



BIOS_FB



USB BIOS Flashback port

ASRock BIOS Flashback feature allows you to update BIOS without powering on the system, even without CPU.



Before using the BIOS Flashback function, please suspend BitLocker and any encryption or security relying on the TPM. Make sure that you have already stored and backup-ed the recovery key. If the recovery key is missing while encryption is active, the data will stay encrypted and the system will not boot into the operating system. It is recommended to disable fTPM before updating the BIOS. Otherwise an unpredictable failure may occur.

To use the USB BIOS Flashback function, Please follow the steps below.

1. Download the latest BIOS file from ASRock's website : <http://www.asrock.com>.
2. Copy the BIOS file to your USB flash drive. Please make sure the file system of your USB flash drive must be FAT32.
3. Extract BIOS file from the zip file.
4. Rename the file to "**creative.rom**" and save it to the root directory of X: USB flash drive.
5. Plug the 24 pin power connector to the motherboard. Then turn on the power supply's AC switch.
*There is no need to power on the system.
6. Then plug your USB drive to the USB BIOS Flashback port.
7. Press the BIOS Flashback Switch for about three seconds. Then the LED starts to blink.
8. Wait until the LED stops blinking, indicating that BIOS flashing has been completed.
*If the LED light turns solid green, this means that the BIOS Flashback is not operating properly. Please make sure that you plug the USB drive to the USB BIOS Flashback port.
**If the LED does not light up at all then please disconnect power from the system and remove/ disconnect the CMOS battery from the motherboard for several minutes. Reconnect power and battery and try again.

2.14 Dr. Debug

Dr. Debug is used to provide code information, which makes troubleshooting even easier. Please see the diagrams below for reading the Dr. Debug codes.

| Code | Description |
|------|----------------------|
| 0x10 | PEI_CORE_STARTED |
| 0x11 | PEI_CAR_CPU_INIT |
| 0x15 | PEI_CAR_NB_INIT |
| 0x19 | PEI_CAR_SB_INIT |
| 0x31 | PEI_MEMORY_INSTALLED |
| 0x32 | PEI_CPU_INIT |
| 0x33 | PEI_CPU_CACHE_INIT |
| 0x34 | PEI_CPU_AP_INIT |
| 0x35 | PEI_CPU_BSP_SELECT |
| 0x36 | PEI_CPU_SMM_INIT |
| 0x37 | PEI_MEM_NB_INIT |
| 0x3B | PEI_MEM_SB_INIT |
| 0x4F | PEI_DXE_IPL_STARTED |
| 0x60 | DXE_CORE_STARTED |
| 0x61 | DXE_NVRAM_INIT |
| 0x62 | DXE_SBRUN_INIT |

| | |
|------|-------------------------------|
| 0x63 | DXE_CPU_INIT |
| 0x68 | DXE_NB_HB_INIT |
| 0x69 | DXE_NB_INIT |
| 0x6A | DXE_NB_SMM_INIT |
| 0x70 | DXE_SB_INIT |
| 0x71 | DXE_SB_SMM_INIT |
| 0x72 | DXE_SB_DEVICES_INIT |
| 0x78 | DXE_ACPI_INIT |
| 0x79 | DXE_CSM_INIT |
| 0x90 | DXE_BDS_STARTED |
| 0x91 | DXE_BDS_CONNECT_DRIVERS |
| 0x92 | DXE_PCI_BUS_BEGIN |
| 0x93 | DXE_PCI_BUS_HPC_INIT |
| 0x94 | DXE_PCI_BUS_ENUM |
| 0x95 | DXE_PCI_BUS_REQUEST_RESOURCES |
| 0x96 | DXE_PCI_BUS_ASSIGN_RESOURCES |
| 0x97 | DXE_CON_OUT_CONNECT |
| 0x98 | DXE_CON_IN_CONNECT |

| | |
|------|------------------------------|
| 0x99 | DXE_SIO_INIT |
| 0x9A | DXE_USB_BEGIN |
| 0x9B | DXE_USB_RESET |
| 0x9C | DXE_USB_DETECT |
| 0x9D | DXE_USB_ENABLE |
| 0xA0 | DXE_IDE_BEGIN |
| 0xA1 | DXE_IDE_RESET |
| 0xA2 | DXE_IDE_DETECT |
| 0xA3 | DXE_IDE_ENABLE |
| 0xA4 | DXE_SCSI_BEGIN |
| 0xA5 | DXE_SCSI_RESET |
| 0xA6 | DXE_SCSI_DETECT |
| 0xA7 | DXE_SCSI_ENABLE |
| 0xA8 | DXE_SETUP_VERIFYING_PASSWORD |
| 0xA9 | DXE_SETUP_START |
| 0xAB | DXE_SETUP_INPUT_WAIT |
| 0xAD | DXE_READY_TO_BOOT |
| 0xAE | DXE_LEGACY_BOOT |

| | |
|------|----------------------------------|
| 0xAF | DXE_EXIT_BOOT_SERVICES |
| 0xB0 | RT_SET_VIRTUAL_ADDRESS_MAP_BEGIN |
| 0xB1 | RT_SET_VIRTUAL_ADDRESS_MAP_END |
| 0xB2 | DXE_LEGACY_OPROM_INIT |
| 0xB3 | DXE_RESET_SYSTEM |
| 0xB4 | DXE_USB_HOTPLUG |
| 0xB5 | DXE_PCI_BUS_HOTPLUG |
| 0xB6 | DXE_NVRAM_CLEANUP |
| 0xB7 | DXE_CONFIGURATION_RESET |
| 0xF0 | PEI_RECOVERY_AUTO |
| 0xF1 | PEI_RECOVERY_USER |
| 0xF2 | PEI_RECOVERY_STARTED |
| 0xF3 | PEI_RECOVERY_CAPSULE_FOUND |
| 0xF4 | PEI_RECOVERY_CAPSULE_LOADED |
| 0xE0 | PEI_S3_STARTED |
| 0xE1 | PEI_S3_BOOT_SCRIPT |
| 0xE2 | PEI_S3_VIDEO_REPOST |

| | |
|------|---------------------------------|
| 0xE3 | PEI_S3_OS_WAKE |
| 0x50 | PEI_MEMORY_INVALID_TYPE |
| 0x53 | PEI_MEMORY_NOT_DETECTED |
| 0x55 | PEI_MEMORY_NOT_INSTALLED |
| 0x57 | PEI_CPU_MISMATCH |
| 0x58 | PEI_CPU_SELF_TEST_FAILED |
| 0x59 | PEI_CPU_NO_MICROCODE |
| 0x5A | PEI_CPU_ERROR |
| 0x5B | PEI_RESET_NOT_AVAILABLE |
| 0xD0 | DXE_CPU_ERROR |
| 0xD1 | DXE_NB_ERROR |
| 0xD2 | DXE_SB_ERROR |
| 0xD3 | DXE_ARCH_PROTOCOL_NOT_AVAILABLE |
| 0xD4 | DXE_PCI_BUS_OUT_OF_RESOURCES |
| 0xD5 | DXE_LEGACY_OPROM_NO_SPACE |
| 0xD6 | DXE_NO_CON_OUT |
| 0xD7 | DXE_NO_CON_IN |

| | |
|------|-----------------------------|
| 0xD8 | DXE_INVALID_PASSWORD |
| 0xD9 | DXE_BOOT_OPTION_LOAD_ERROR |
| 0xDA | DXE_BOOT_OPTION_FAILED |
| 0xDB | DXE_FLASH_UPDATE_FAILED |
| 0xDC | DXE_RESET_NOT_AVAILABLE |
| 0xE8 | PEI_MEMORY_S3_RESUME_FAILED |
| 0xE9 | PEI_S3_RESUME_PPI_NOT_FOUND |
| 0xEA | PEI_S3_BOOT_SCRIPT_ERROR |
| 0xEB | PEI_S3_OS_WAKE_ERROR |

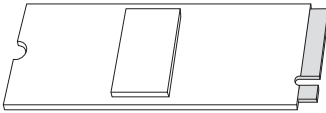
2.15 M.2 SSD Installation Guide (M2_1)

The M.2 is a small size and versatile card edge connector that aims to replace mPCIe and mSATA. The Blazing M.2 Socket (M2_1, Key M) supports type 2280 PCIe Gen5x4 (128 Gb/s) mode.

* M2_1 is the first priority for M.2 installation.

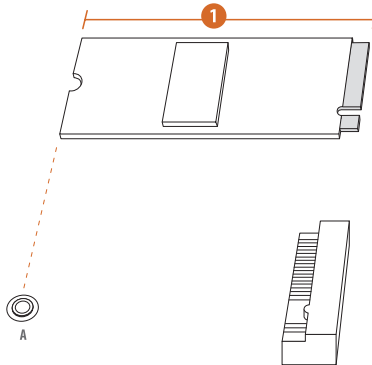
* M2_1 will run at Gen5x4 with 9000 and 7000 series processors and Gen4x4 with 8000 (Phoenix 1 and Phoenix 2) series processors.

Installing the M.2 SSD



Step 1

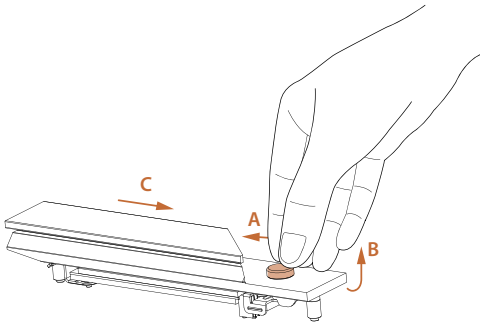
Prepare a M.2 SSD.



Step 2

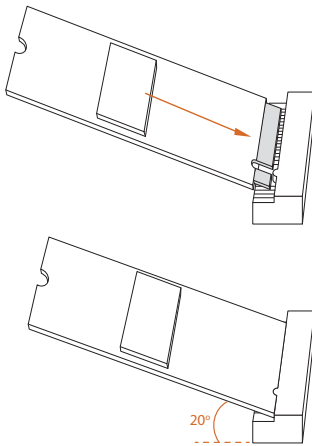
Depending on the PCB type and length of your M.2 SSD, find the corresponding nut location to be used.

| | |
|--------------|----------|
| No. | 1 |
| Nut Location | A |
| PCB Length | 8cm |
| Module Type | Type2280 |

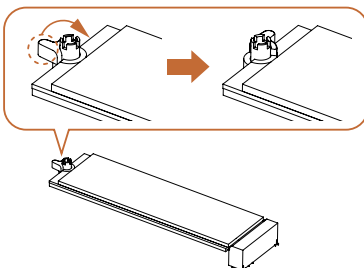
**Step 3**

Push and hold the button on the M.2 heatsink (A). Then lift up the heatsink (B) and move it in the direction shown (C).

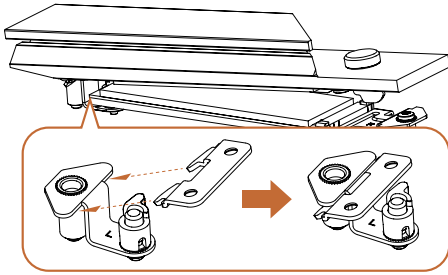
*Please remove the protective films on the bottom side of the M.2 heatsink before you install a M.2 SSD.

**Step 4**

Align and gently insert the M.2 SSD into the M.2 slot. Please be aware that the M.2 SSD only fits in one orientation.

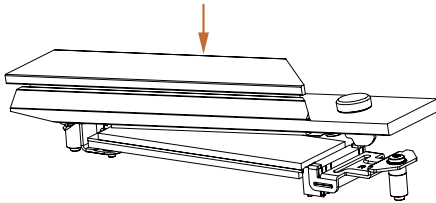
**Step 5**

Ensure that the notch at the end of the M.2 SSD aligns with the nut. Then secure the M.2 SSD by turning the nut lock clockwise to its locked position.



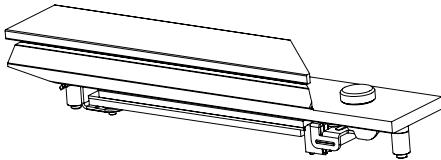
Step 6

Hook the tab of the M.2 heatsink back onto the standoff.



Step 7

Press the M.2 heatsink down into place.
*Be sure not to press down the button on the M.2 heatsink.



Step 8

Complete.

For the latest updates of M.2 SSD support list, please visit our website for details: <http://www.asrock.com>

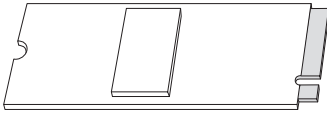
2.16 M.2 SSD Installation Guide (M2_2)

The M.2 is a small size and versatile card edge connector that aims to replace mPCIe and mSATA. The Hyper M.2 Socket (M2_2, Key M) supports type 2280 PCIe Gen4x4 (64 Gb/s) mode.

Installing the M.2 SSD

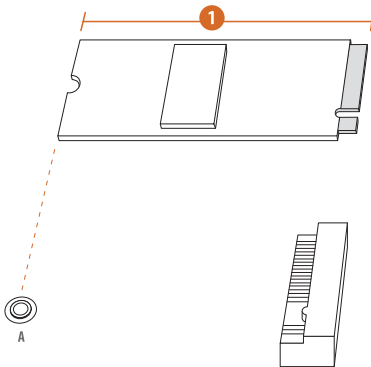
Step 1

Prepare a M.2 SSD.



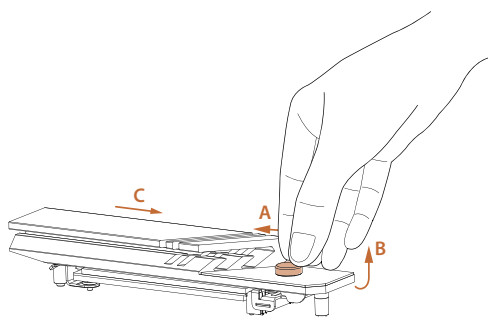
Step 2

Depending on the PCB type and length of your M.2 SSD, find the corresponding nut location to be used.



| No. | 1 |
|--------------|----------|
| Nut Location | A |
| PCB Length | 8cm |
| Module Type | Type2280 |

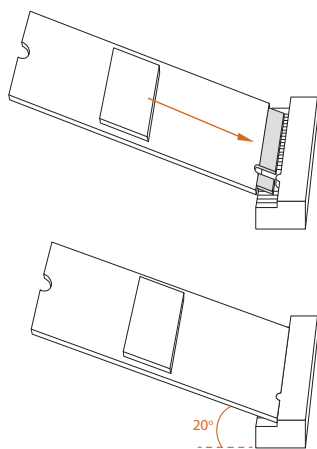
Step 3



Push and hold the button on the M.2 heatsink (A). Then lift up the heatsink (B) and move it in the direction shown (C).

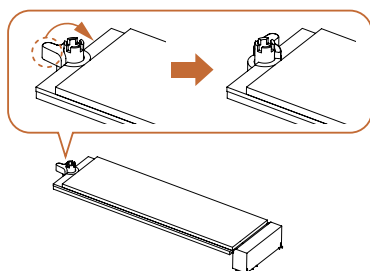
*Please remove the protective films on the bottom side of the M.2 heatsink before you install a M.2 SSD.

Step 4

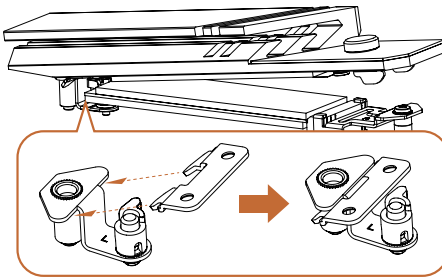


Align and gently insert the M.2 SSD into the M.2 slot. Please be aware that the M.2 SSD only fits in one orientation.

Step 5

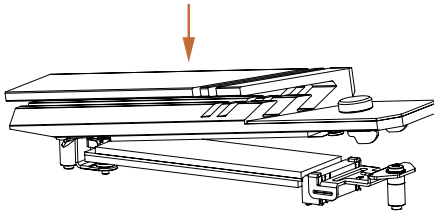


Ensure that the notch at the end of the M.2 SSD aligns with the nut. Then secure the M.2 SSD by turning the nut lock clockwise to its locked position.



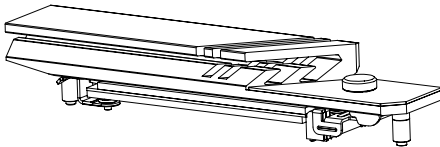
Step 6

Hook the tab of the M.2 heatsink back onto the standoff.



Step 7

Press the M.2 heatsink down into place.
*Be sure not to press down the button on the M.2 heatsink.



Step 8

Complete.

For the latest updates of M.2 SSD support list, please visit our website for details: <http://www.asrock.com>

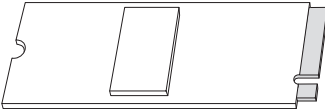
2.17 M.2 SSD Installation Guide (M2_3 and M2_4)

The M.2 is a small size and versatile card edge connector that aims to replace mPCIe and mSATA. The Hyper M.2 Sockets (M2_3 and M2_4, Key M) support type 2280 PCIe Gen4x4 (64 Gb/s) mode.

Installing the M.2 SSD

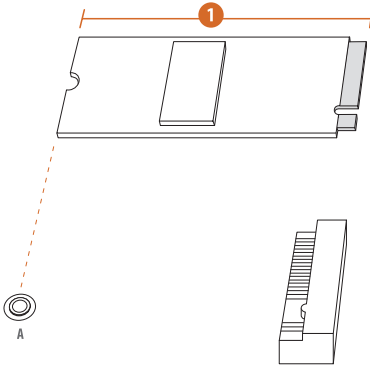
Step 1

Prepare a M.2 SSD.

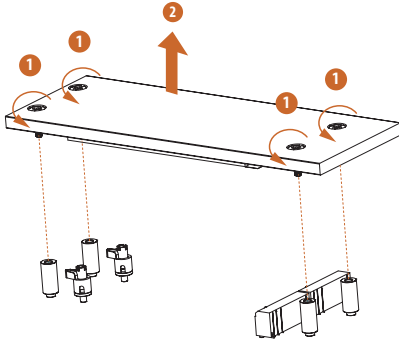


Step 2

Depending on the PCB type and length of your M.2 SSD, find the corresponding nut location to be used.

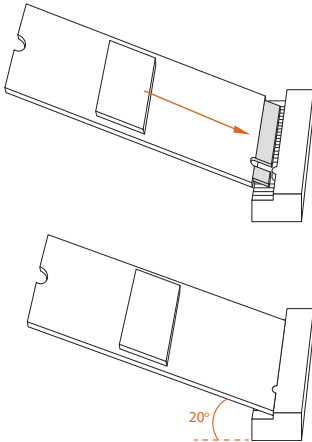


| No. | 1 |
|--------------|----------|
| Nut Location | A |
| PCB Length | 8cm |
| Module Type | Type2280 |

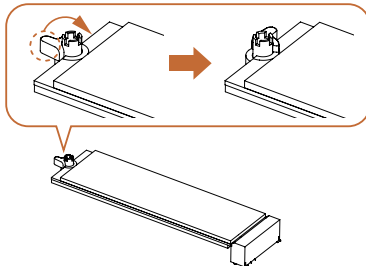
**Step 3**

Before installing a M.2 SSD, please loosen the screws to remove the M.2 heatsink.

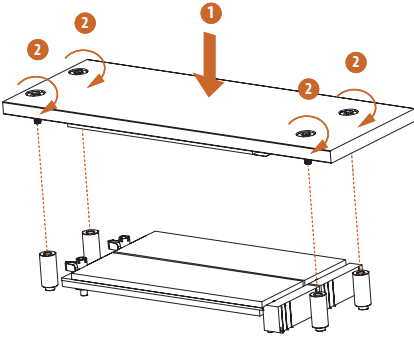
*Please remove the protective films on the bottom side of the M.2 heatsink before you install a M.2 SSD.

**Step 4**

Align and gently insert the M.2 SSD into the M.2 slot. Please be aware that the M.2 SSD only fits in one orientation.

**Step 5**

Ensure that the notch at the end of the M.2 SSD aligns with the nut. Then secure the M.2 SSD by turning the nut lock clockwise to its locked position.



Step 6

Tighten the screw with a screwdriver to secure the M.2 heatsink into place. Please do not overtighten the screw as this might damage the M.2 heatsink.

For the latest updates of M.2 SSD support list, please visit our website for details: <http://www.asrock.com>

Version 1.0

Published August 2024

Copyright©2024 ASRock INC. All rights reserved.

Copyright Notice:

No part of this documentation may be reproduced, transcribed, transmitted, or translated in any language, in any form or by any means, except duplication of documentation by the purchaser for backup purpose, without written consent of ASRock Inc.

Products and corporate names appearing in this documentation may or may not be registered trademarks or copyrights of their respective companies, and are used only for identification or explanation and to the owners' benefit, without intent to infringe.

Disclaimer:

Specifications and information contained in this documentation are furnished for informational use only and subject to change without notice, and should not be constructed as a commitment by ASRock. ASRock assumes no responsibility for any errors or omissions that may appear in this documentation.

To the extent permitted by law, with respect to the contents of this documentation, ASRock does not provide warranty of any kind, either expressed or implied, including but not limited to the implied warranties or conditions of merchantability or fitness for a particular purpose. In no event shall ASRock, its directors, officers, employees, or agents be liable for any indirect, special, incidental, or consequential damages (including damages for loss of profits, loss of business, loss of data, interruption of business and the like), even if ASRock has been advised of the possibility of such damages arising from any defect or error in the documentation or product.

FCC Compliance Statement



This device complies with Part 15 of the FCC Rules. Operation is subject to the following two conditions:

- (1) this device may not cause harmful interference, and
- (2) this device must accept any interference received, including interference that may cause undesired operation.

This equipment has been tested and found to comply with the limits for a Class B digital device, pursuant to part 15 of the FCC Rules. These limits are designed to provide reasonable protection against harmful interference in a residential installation. This equipment generates, uses and can radiate radio frequency energy and, if not installed and used in accordance with the instructions, may cause harmful interference to radio communications. However, there is no guarantee that interference will not occur in a particular installation. If this equipment does cause harmful interference to radio or television reception, which can be determined by turning the equipment off and on, the user is encouraged to try to correct the interference by one or more of the following measures:

- Reorient or relocate the receiving antenna.
- Increase the separation between the equipment and receiver.
- Connect the equipment into an outlet on a circuit different from that to which the receiver is connected.
- Consult the dealer or an experienced radio/TV technician for help.

Button Battery Safety Notice

WARNING

- **INGESTION HAZARD:** This product contains a button cell or coin battery.
- **DEATH** or serious injury can occur if ingested.
- A swallowed button cell or coin battery can cause **Internal Chemical Burns** in as little as **2 hours**.
- **KEEP** new and used batteries **OUT OF REACH OF CHILDREN**
- **Seek immediate medical attention** if a battery is suspected to be swallowed or inserted inside any part of the body.



- Remove and immediately recycle or dispose of used batteries according to local regulations and keep away from children. Do NOT dispose of batteries in household trash or incinerate.
- Even used batteries may cause severe injury or death.
- Call a local poison control center for treatment information.
- Battery type: CR2032
- Battery voltage: 3V
- Non-rechargeable batteries are not to be recharged.
- Do not force discharge, recharge, disassemble, heat above (manufacturer's specified temperature rating) or incinerate. Doing so may result in injury due to venting, leakage or explosion resulting in chemical burns.
- This product contains an irreplaceable battery.
- This icon indicates that a swallowed button battery can cause serious injury or death. Please keep batteries out of sight or reach of children.

CALIFORNIA, USA ONLY

The Lithium battery adopted on this motherboard contains Perchlorate, a toxic substance controlled in Perchlorate Best Management Practices (BMP) regulations passed by the California Legislature. When you discard the Lithium battery in California, USA, please follow the related regulations in advance.

“Perchlorate Material-special handling may apply, see www.dtsc.ca.gov/hazardouswaste/perchlorate”

CALIFORNIA, USA ONLY



WARNING: Cancer and Reproductive Harm
www.P65Warnings.ca.gov

CE Conformity



ASRock INC. hereby declares that this device is in compliance with the essential requirements and other relevant provisions of related Directives. Full text of EU declaration of conformity is available at: <http://www.asrock.com>

ASRock follows the green design concept to design and manufacture our products, and makes sure that each stage of the product life cycle of ASRock product is in line with global environmental regulations. In addition, ASRock disclose the relevant information based on regulation requirements.

Please refer to <https://www.asrock.com/general/about.asp?cat=Responsibility> for information disclosure based on regulation requirements ASRock is complied with.

UKCA Conformity



ASRock INC. hereby declares that this device is in compliance with the essential requirements and other relevant provisions of related UKCA Directives. Full text of UKCA declaration of conformity is available at: <http://www.asrock.com>

Consumer Limited Warranty - Australia

Our goods come with guarantees that cannot be excluded under the Australian Consumer Law. You are entitled to a replacement or refund for a major failure and compensation for any other reasonably foreseeable loss or damage caused by our goods. You are also entitled to have the goods repaired or replaced if the goods fail to be of acceptable quality and the failure does not amount to a major failure. If you require assistance please call ASRock Tel : +886-2-28965588 ext.123 (Standard International call charges apply)



WARNING

THIS PRODUCT CONTAINS A BUTTOON BATTERY

If swallowed, a button battery can cause serious injury or death.
Please keep batteries out of sight or reach of children.

Proper Disposal



DO NOT throw the motherboard in municipal waste. This product has been designed to enable proper reuse of parts and recycling. This symbol of the crossed out wheeled bin indicates that the product (electrical and electronic equipment) should not be placed in municipal waste. Check local regulations for disposal of electronic products.

Class B ITE

この装置は、クラス B 情報技術装置です。この装置は、家庭環境で使用することを目的としていますが、この装置がラジオやテレビジョン受信機に近接して使用されると、受信障害を引き起こすことがあります。取扱説明書に従って正しい取り扱いをして下さい。

Trademark Information

The terms HDMI® and HDMI High-Definition Multimedia Interface, and the HDMI logo are trademarks or registered trademarks of HDMI Licensing LLC in the United States and other countries.


HDMI®
HIGH-DEFINITION MULTIMEDIA INTERFACE

European Community Radio Equipment Directive Compliance Statement

This device complies with directive 2014/53/EU issued by the Commission of the European Community. This equipment complies with EU radiation exposure limits set forth for an uncontrolled environment.

This equipment should be installed and operated with minimum distance 20cm between the radiator & your body.

Operations in the 5.15-5.35/6GHz band are restricted to indoor usage only.

| | | | | | | | |
|---|----|----|----|----|----|----|----|
|  | AT | BE | BG | CH | CY | CZ | DE |
| | DK | EE | EL | ES | FI | FR | HR |
| | HU | IE | IS | IT | LI | LT | LU |
| | LV | MT | NL | NO | PL | PT | RO |
| | SE | SI | SK | TR | | | |



Radio Frequency Bands and Maximum Power Levels

- Features : Wi-Fi 6E, BT, Wi-Fi 7
- Frequency Range : 2.4 GHz: 2400-2485MHz; 5 GHz: 5150-5350MHz, 5470-5725MHz, 5725-5850MHz; 6 GHz: 5955-6415MHz
- Max Power Level : 2.4 GHz: 20dBm; 5 GHz: 23dBm; 6 GHz: 23dBm

Compliance Statement of Innovation, Science and Economic Development Canada (ISED)

This device complies with with Innovation, Science and Economic Development Canada's licence-exempt RSS(s). Operation is subject to the following two conditions: (1) this device may not cause interference, and (2) this device must accept any interference, including interference that may cause undesired operation of the device. Operation in the band 5150-5250 MHz is only for indoor use to reduce the potential for harmful interference to co-channel mobile satellite systems. CAN ICES-003(B)/NMB-003(B)

NCC 無線設備警告聲明

經型式認證合格之低功率射頻電機，非經許可，公司、商號或使用者均不得擅自變更頻率、加大功率或變更原設計之特性及功能。低功率射頻電機之使用不得影響飛航安全及干擾合法通信；經發現有干擾現象時，應立即停用，並改善至無干擾時方得繼續使用。前項合法通信，指依電信法規定作業之無線電通信。低功率射頻電機須忍受合法通信或工業、科學及醫療用電波輻射性電機設備之干擾。

ASRock Incorporation

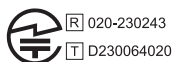
Contains Wi-Fi 7 module with Bluetooth

AMD® Wi-Fi 7 RZ717

Model: MT7925B22M

FCC ID: RAS-MT7925B22M

IC: 7542A-MT7925B22M



R 020-230243

T D230064020



CCAI23Y10100T7

5GHz band(W52,W53)&6GHz(LPI):indoor use only

BSMI 限用物質及元素清單

| 單元 | 限用物質及其化學符號 | | | | | |
|---|------------|--------|--------|-------------------------|------------|--------------|
| | 鉛 (Pb) | 鎘 (Cd) | 汞 (Hg) | 六價鉻 (Cr ⁺⁶) | 多溴聯苯 (PBB) | 多溴聯苯醚 (PBDE) |
| 電路板 | ○ | ○ | ○ | ○ | ○ | ○ |
| 電子元件 | - | ○ | ○ | ○ | ○ | ○ |
| 線材 | - | ○ | ○ | ○ | ○ | ○ |
| 配件 | - | ○ | ○ | ○ | ○ | ○ |
| <p>備考 1. “超出 0.1 wt %” 及 “超出 0.01 wt %” 係指限用物質之百分比含量超出百分比含量基準值。</p> <p>備考 2. “○” 係指該項限用物質之百分比含量未超出百分比含量基準值。</p> <p>備考 3. “-” 係指該項限用物質為排除項目。</p> | | | | | | |

China RoHS

电子信息产品污染控制标示

依据中国发布的「电子信息产品污染控制管理办法」及 SJ/T 11364-2014 「电子信息产品污染控制标示要求」，电子信息产品应进行标示，藉以向消费者揭露产品中含有的有毒有害物质或元素不致发生外泄或突变从而对环境造成污染或对人身、财产造成严重损害的期限。依上述规定，您可于本产品之印刷电路板上看见图一之标示。图一中之数字为产品之环保使用期限。由此可知此主板之环保使用期限为 10 年。



图一

有毒有害物质或元素的名称及含量说明

若您欲了解此产品的有毒有害物质或元素的名称及含量说明，请参照以下表格及说明。

| 部件名称 | 有害物质或元素 | | | | | |
|------------|---------|--------|--------|--------------|------------|--------------|
| | 铅 (Pb) | 镉 (Cd) | 汞 (Hg) | 六价铬 (Cr(VI)) | 多溴联苯 (PBB) | 多溴二苯醚 (PBDE) |
| 印刷电路板及电子组件 | X | O | O | O | O | O |
| 外部信号连接头及线材 | X | O | O | O | O | O |

以上表格依据 SJ/T 11364-2014 的规定编制。
O: 表示该有害物质在该部件所有均质材料中的含量均在 GB/T 26572 规定的限量要求以下。
X: 表示该有害物质至少在该部件的某一均质材料中的含量超出 GB/T 26572 规定的限量要求。
备注：此产品所标示之环保使用年限，系指在一般正常使用状况下。