



# Wi-Fi Battery-Powered Security Camera

4K HD for Wi-Fi NVRs

---

Instruction Manual

# 1 Introduction

Congratulations on the purchase of your Swann Wi-Fi Battery-Powered Security Camera.

- 4K Ultra HD video with sensor spotlight plus siren
- Microphone & Speaker allows you to talk to visitors & warn intruders
- True Detect™ Heat & Motion sensing plus Person Detection video analytics for reliable alerts
- Powerful Night2Day™ color night vision
- Works in rain & snow all year round

## Important instructions

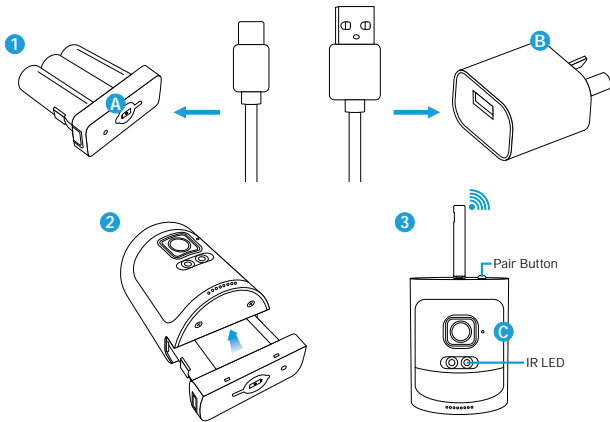
1. Make sure the camera is fixed correctly and stable if fastened in place.
2. Never place strain of any kind on the power connection and/or power adapter (if applicable).
3. Do not operate if wires and terminals are exposed.

**Important Note:** All jurisdictions have specific laws and regulations relating to the use of cameras. Before using any camera for any purpose, it is the buyer's responsibility to be aware of all applicable laws and regulations that limit the use of cameras.

**About this Manual:** The content in this manual is for information purposes only and is subject to change without notice. While every effort is made to ensure that this manual is accurate at the time of printing, no liability is assumed for any errors that occurred.

For instructions on how to configure your camera for motion detection, changing image settings, and other functions available, please consult the manual for your NVR. Go to [support.swann.com](http://support.swann.com), search for your model, then download.

## 2 Charging the Battery



**A.** Remove the battery cover to access the USB-C connection.

**B.** Charge the battery using a power adapter included with your mobile device.

**C.** Remove the plastic film from the camera's lens.

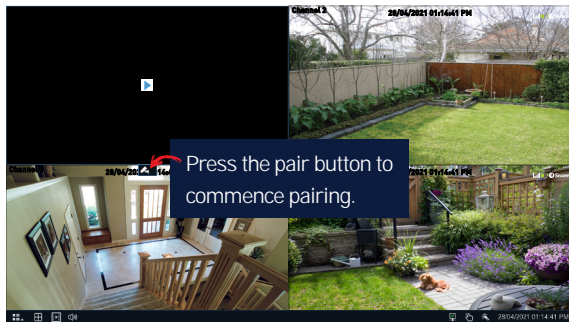
**1.** Charge the battery with the included USB cable. Follow the illustration on the left for connection (power adapter not included). Charge the battery for about 30 mins, then disconnect.

**2.** Insert the battery into the camera (it will click into place). After a short moment, you will hear a beep sound.

**3.** Leave the antenna in a vertical position for the best reception. Remove the plastic film from the camera's lens.

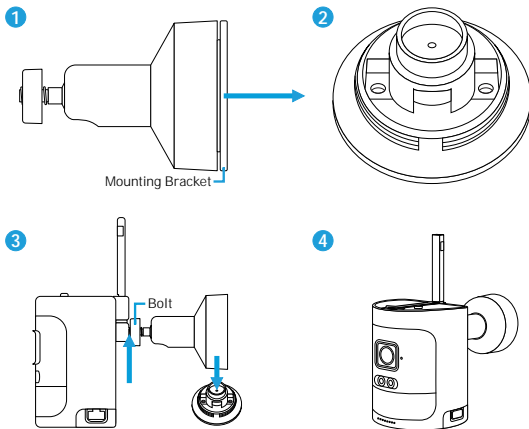
**4.** Follow the instructions in step 3 to pair the camera to your NVR.

### 3 Pairing the Camera



1. In Live View mode, click a channel to pair the camera to.
2. A pair button appears (a blue pair button may also appear in the top-right hand corner of each channel). Press this button to commence pairing. A message will appear on-screen.
3. Press and hold the pair button on the camera for 5 seconds, then release. The camera will commence pairing, and the camera's IR LED will start flashing.
4. After a short moment the camera will be paired, and you will see the camera's image on-screen. If the camera fails to pair, repeat the above instructions and try again.

## 4 Mounting the Camera



The camera can be mounted onto a flat surface using the screws and wall plugs provided. The surface must have sufficient strength to hold the camera.

- 1.** Unscrew the mounting plate anti-clockwise to remove it from the mounting bracket.
- 2.** Position the mounting plate in the location you want to mount it. Then, using the appropriate screws for the surface you are mounting to, secure the mounting plate in place.
- 3.** Screw the mounting bracket to the rear of the camera (as illustrated). Don't overtighten the bolt, as you will need to adjust the viewing angle. Screw the mounting bracket onto the mounting plate.
- 4.** Adjust the camera to the desired viewing angle, then tighten the bolt to secure it in place.

## 5 Camera Location Tips

1. Take into consideration what you want to monitor and where you'll get the best view of it.
2. How you're going to connect the camera to your monitoring system; remember that cables and connections should be kept out of the weather.
3. How to keep the camera out of harm's way. It's recommended to mount your camera at an elevated position.
4. Place your camera as close to the area of interest as practicable. The best position is from about 13ft/4m above looking slightly down, keeping in mind the details you are looking for.
5. Although the sky looks nice when you look at the live view from your camera, it is an unlikely direction for an offender to approach. Make sure your camera has minimal sky in it as the light in daylight can make the foreground of the image darker.
6. Think about the most likely way a potential offender may approach your home, use your camera to give you the best coverage of these areas.
7. The camera's casing is resistant to different weather conditions and tampering. It would take an overwhelming event to damage the housing.
8. Even though the camera is weather and water-resistant, prolonged exposure to adverse weather conditions such as sunlight or excessive moisture, may eventually damage the internal components of the camera and adversely affect its performance.
9. Run cables inside a wall cavity or other protected enclosure, and ensure that all wiring and connectors are insulated and protected from moisture.
10. Don't put your cable near live electrical wiring. AC electricity generates radio "noise" which can interfere with the signal from your camera.

# Helpdesk & Resources

Visit Swann Support Center at [support.swann.com](https://support.swann.com). You can register your product for dedicated customer support, download guides, find answers to commonly asked questions, and more.



Product Registration



Customer Support



Product Manuals



Frequently Asked Questions



Support Community