

EPSON

Expression 13000XL **User's Guide**

Copyright

No part of this publication may be reproduced, stored in a retrieval system, or transmitted in any form or by any means, electronic, mechanical, photocopying, recording, or otherwise, without the prior written permission of Seiko Epson Corporation. No patent liability is assumed with respect to the use of the information contained herein. Neither is any liability assumed for damages resulting from the use of the information herein. The information contained herein is designed only for use with this Epson product. Epson is not responsible for any use of this information as applied to other products.

Neither Seiko Epson Corporation nor its affiliates shall be liable to the purchaser of this product or third parties for damages, losses, costs, or expenses incurred by the purchaser or third parties as a result of accident, misuse, or abuse of this product or unauthorized modifications, repairs, or alterations to this product, or (excluding the U.S.) failure to strictly comply with Seiko Epson Corporation's operating and maintenance instructions.

Seiko Epson Corporation and its affiliates shall not be liable for any damages or problems arising from the use of any options or any consumable products other than those designated as Original Epson Products or Epson Approved Products by Seiko Epson Corporation.

Seiko Epson Corporation shall not be held liable for any damage resulting from electromagnetic interference that occurs from the use of any interface cables other than those designated as Epson Approved Products by Seiko Epson Corporation.

© 2023 Seiko Epson Corporation

The contents of this manual and the specifications of this product are subject to change without notice.

Trademarks

- ❑ EPSON, EPSON EXCEED YOUR VISION, EXCEED YOUR VISION and their logos are registered trademarks or trademarks of Seiko Epson.
- ❑ Microsoft®, Windows® and Windows Server® are either registered trademarks or trademarks of Microsoft Corporation in the United States and/or other countries.
- ❑ Apple, Mac, macOS, and OS X are trademarks of Apple Inc., registered in the U.S. and other countries.
- ❑ General Notice: Other product names used herein are for identification purposes only and may be trademarks of their respective owners. Epson disclaims any and all rights in those marks.

Contents

Copyright

Trademarks

About This Manual

Introduction to the Manuals.	6
Marks and Symbols.	6
Descriptions Used in this Manual.	6
Operating System References.	7

Important Instructions

Safety Instructions.	8
Restrictions on Copying.	9

Scanner Basics

Part Names.	10
Buttons and Lights.	11
Information on Applications.	13
Epson Scan 2.	13
Application for Updating Software and Firmware (EPSON Software Updater).	13

Placing Originals on the Product

Placing Originals.	14
Placing Large or Thick Originals.	15

Basic Scanning

Scanning Using Epson Scan 2.	18
Scanning Photos or Pictures (Photo Mode).	18
Scanning Documents (Document Mode).	22
Setting a Resolution That Suits the Scanning Purpose.	25
Scanning Using a Scanner Button.	26

Advanced Scanning

Image Adjustment Features for Photo Mode.	27
Brightness.	27
Contrast.	28
Saturation.	28
Detailed Adjustments Button.	28
Unsharp Mask.	31
Color Restoration.	31

Backlight Correction.	31
Descreening.	32
Dust Removal.	32
Grain Reduction.	32
Image Adjustment Features for Document Mode.	33
Image Option.	33
Brightness.	35
Contrast.	35
Gamma.	36
Threshold.	36
Unsharp Mask.	36
Descreening.	37
Edge Fill.	37
Dual Image Output (for Windows Only).	37
Watermark (for Windows only).	37
Saving as a Searchable PDF.	38

Using the Transparency Unit

Unpacking the Transparency Unit.	39
Unlocking the transportation lock.	39
Installing the Transparency Unit.	40
Setting and Placing Films.	42
35 mm film strips.	43
Mounted slides.	44
Medium format (120/220).	45
4×5 inch film.	46
Non-standard film sizes.	47
Using the Transparency Unit to Scan.	48
Scanning films with suitable settings.	48
Scanning reflective (non-film) originals.	48

Maintenance

Cleaning the Scanner.	50
Energy Saving.	50
Transporting the Scanner.	52
Updating Applications and Firmware.	52

Solving Problems

Scanner Problems.	54
Scanner Lights Indicate an Error.	54
Problems Starting Scanning.	54
Cannot Start Epson Scan 2.	55
Cannot Scan Using the Button.	55
Cannot Scan Using the Transparency Unit.	55

Cannot Scan Using Scanning Software Other Than Epson Scan 2.	55
Scanned Image Problems.	56
Uneven Colors, Dirt, Spots, and so on Appear when Scanning from the Scanner Glass.	56
The Image Quality is Rough.	56
Offset Appears in the Background of Images.	56
Text is Blurred.	57
Moiré Patterns (Web-Like Shadows) Appear.	57
Cannot Scan the Correct Area on the Scanner Glass.	57
Cannot Preview in Thumbnail.	58
Cannot Achieve the Results Intended in Auto Photo Orientation.	58
Text is Not Recognized Correctly when Saving as a Searchable PDF.	58
Binding Margins of a Booklet are Distorted or Blurred.	58
Cannot Solve Problems in the Scanned Image.	59
Striped Rings Appear in Scanned Images of Film or Slides.	59
Colors Differ From the Original Colors for Film or Slide Images.	59
Negative Film Preview Images Look Strange.	60
Problems With Scanning Time.	60
Uninstalling and Installing Applications.	60
Uninstalling Your Applications.	60
Installing Your Applications.	61

Technical Specifications

General Scanner Specifications.	63
Dimensional Specifications.	63
Electrical Specifications.	63
Environmental Specifications.	64
Interface Specifications.	64
System Requirements.	64

Standards and Approvals

Standards and Approvals for U.S. Model.	66
Standards and Approvals for European Model.	66
Standards and Approvals for Australian Model.	66
ZICTA Type Approval for Users in Zambia.	66
OPEN SOURCE SOFTWARE LICENSE.	66
SHA1 license.	67
Info-ZIP license.	67
lua license.	68

Where to Get Help

Technical Support Web Site.	69
Contacting Epson Support.	69
Before Contacting Epson.	69
Help for Users in Europe.	69
Help for Users in Taiwan.	70
Help for Users in Australia.	70
Help for Users in Singapore.	71
Help for Users in Thailand.	71
Help for Users in Vietnam.	71
Help for Users in Indonesia.	72
Help for Users in Hong Kong.	72
Help for Users in Malaysia.	72
Help for Users in India.	73
Help for Users in the Philippines.	73

About This Manual

Introduction to the Manuals

The latest versions of the following manuals are available from the Epson support website.

<http://www.epson.eu/support> (Europe)

<http://support.epson.net/> (outside Europe)

Start Here (paper manual)

Provides you with information on setting up the product and installing the application.

User's Guide (digital manual)

Provides instructions on using the product, maintenance, and solving problems.

As well as the manuals above, see the help included in the various Epson applications.

Marks and Symbols



Caution:

Instructions that must be followed carefully to avoid bodily injury.



Important:

Instructions that must be observed to avoid damage to your equipment.

Note:

Provides complementary and reference information.

Related Information

➔ Links to related sections.

Descriptions Used in this Manual

Screenshots for the applications are from Windows 11 or macOS Monterey. The content displayed on the screens varies depending on the model and situation.

Illustrations used in this manual are for reference only. Although they may differ slightly from the actual product, the operating methods are the same.

Operating System References

Windows

In this manual, terms such as "Windows 11", "Windows 10", "Windows 8.1", "Windows 8", "Windows 7", "Windows Server 2022", "Windows Server 2019", "Windows Server 2016", "Windows Server 2012 R2", "Windows Server 2012", "Windows Server 2008", and "Windows Server 2008 R2" refer to the following operating systems.

Additionally, "Windows" is used to refer to all versions and "Windows Server" is used to refer to "Windows Server 2022", "Windows Server 2019", "Windows Server 2016", "Windows Server 2012 R2", "Windows Server 2012", "Windows Server 2008", and "Windows Server 2008 R2".

- Microsoft® Windows® 11 operating system
- Microsoft® Windows® 10 operating system
- Microsoft® Windows® 8.1 operating system
- Microsoft® Windows® 8 operating system
- Microsoft® Windows® 7 operating system
- Microsoft® Windows Server® 2022 operating system
- Microsoft® Windows Server® 2019 operating system
- Microsoft® Windows Server® 2016 operating system
- Microsoft® Windows Server® 2012 R2 operating system
- Microsoft® Windows Server® 2012 operating system
- Microsoft® Windows Server® 2008 operating system
- Microsoft® Windows Server® 2008 R2 operating system

Mac OS

In this manual, "Mac OS" is used to refer to macOS Monterey, macOS Big Sur, macOS Catalina, macOS Mojave, macOS High Sierra, macOS Sierra, and OS X El Capitan.

Important Instructions

Safety Instructions

Read all these instructions, and follow all warnings and instructions marked on the product.

- Some of the symbols used on your product are to ensure safety and proper use of the product. Visit the following Web site to learn the meaning of the symbols.
<http://support.epson.net/symbols>
- Place the product on a flat, stable surface that extends beyond the base of the product in all directions. If you place the product by the wall, leave more than 10 cm between the back of the product and the wall. The product will not operate properly if it is tilted at an angle.
- Avoid places subject to dust, shocks, or vibrations.
- Place the product close enough to the computer for the interface cable to reach it easily. Do not place or store the product or the power cord outdoors, near excessive dirt or dust, water, heat sources, or in locations subject to shocks, vibrations, high temperature or humidity, direct sunlight, strong light sources, or rapid changes in temperature or humidity.
- Do not use with wet hands.
- Place the product near an electrical outlet where the power cord plug can be easily unplugged.
- The power cord should be placed to avoid abrasions, cuts, fraying, crimping, and kinking. Do not place objects on top of the cord and do not allow the power cord to be stepped on or run over. Be particularly careful to keep the cord straight at the end.
- Use only the power cord supplied with the product and do not use the cord with any other equipment. Use of other cords with this product or the use of the supplied power cord with other equipment may result in fire or electric shock.
- Use only the type of power source indicated on the product's label, and always supply power directly from a standard domestic electrical outlet.
- When connecting this product to a computer or other device with a cable, ensure the correct orientation of the connectors. Each connector has only one correct orientation. Inserting a connector in the wrong orientation may damage both devices connected by the cable.
- Avoid using outlets on the same circuit as photocopiers or air control systems that regularly switch on and off.
- If you use an extension cord with the product, make sure the total ampere rating of the devices plugged into the extension cord does not exceed the cord's ampere rating. Also, make sure the total ampere rating of all devices plugged into the wall outlet does not exceed the wall outlet's ampere rating.
- Never disassemble, modify, or attempt to repair the product, or product option by yourself except as specifically explained in the product's guides.
- Do not insert objects into any opening as they may touch dangerous voltage points or short out parts. Beware of electrical shock hazards.
- If damage occurs to the plug, replace the cord set or consult a qualified electrician. If there are fuses in the plug, make sure you replace them with fuses of the correct size and rating.
- Unplug the product and the power cord, and refer servicing to qualified service personnel under the following conditions: The power cord or plug is damaged; liquid has entered the product; the product or the power cord has been dropped or the case has been damaged; the product or the power cord does not operate normally or exhibits a distinct change in performance. (Do not adjust controls that are not covered by the operating instructions.)

- Unplug the product and the power cord before cleaning. Clean with a damp cloth only. Do not use liquid or aerosol cleaners.
- If you are not going to use the product or options for a long period, be sure to unplug the power cord from the electrical outlet.
- After replacing consumable parts, dispose of them correctly following the rules of your local authority. Do not disassemble them.
- Because the product is heavy, one person should never attempt to lift or carry it alone. Two people should lift and carry the product.
- Do not place heavy objects on the scanner glass and do not press the glass with too much force.

Restrictions on Copying

Observe the following restrictions to ensure the responsible and legal use of your product.

Copying of the following items is prohibited by law:

- Bank bills, coins, government-issued marketable securities, government bond securities, and municipal securities
- Unused postage stamps, pre-stamped postcards, and other official postal items bearing valid postage
- Government-issued revenue stamps, and securities issued according to legal procedure

Exercise caution when copying the following items:

- Private marketable securities (stock certificates, negotiable notes, checks, etc.), monthly passes, concession tickets, etc.
- Passports, driver's licenses, warrants of fitness, road passes, food stamps, tickets, etc.

Note:

Copying these items may also be prohibited by law.

Responsible use of copyrighted materials:

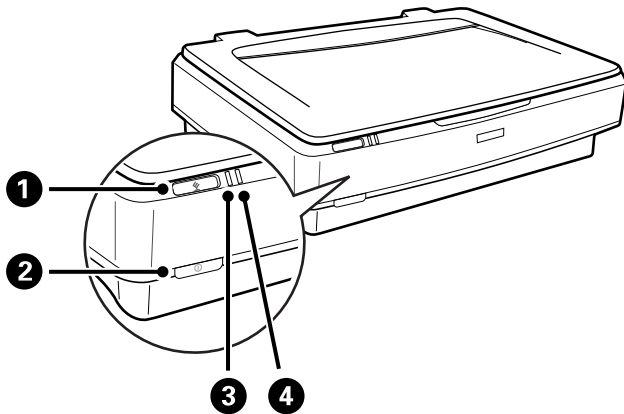
Products can be misused by improperly copying copyrighted materials. Unless acting on the advice of a knowledgeable attorney, be responsible and respectful by obtaining the permission of the copyright holder before copying published material.

Scanner Basics

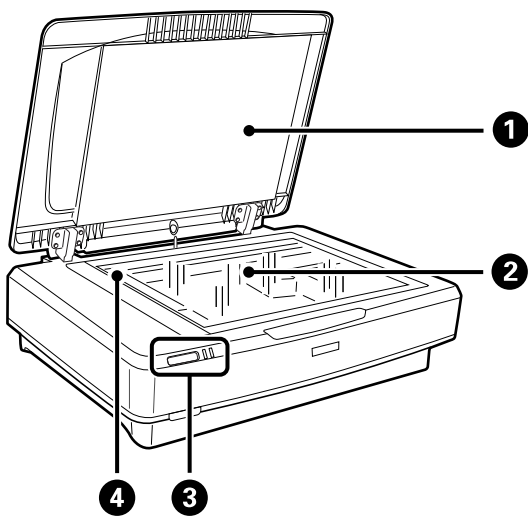
Part Names

Note:

Check all of the items that came with your product.

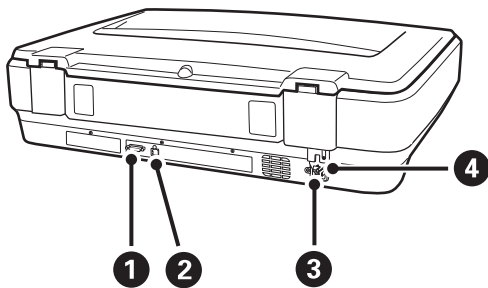


1	▶ start button
2	Ⓚ power button
3	Ready light
4	Error light

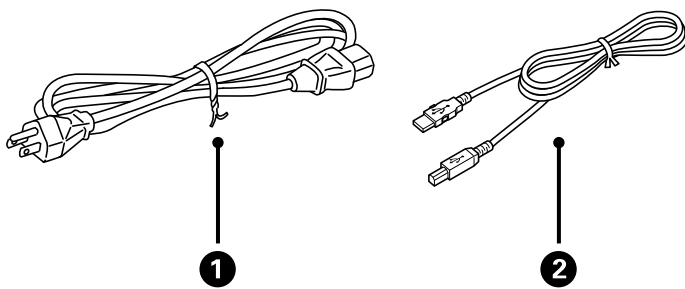


1	Document cover
2	Scanner glass
3	Control panel

4	Carriage (in the scanner glass)
---	---------------------------------



1	Option connector
2	USB port
3	AC inlet
4	Transportation lock lever



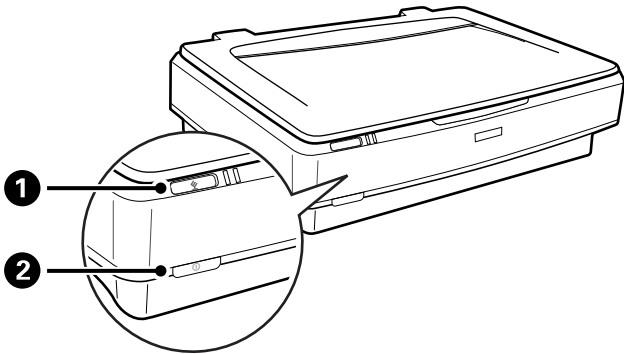
1	Power cord
2	USB cable



Buttons and Lights

Buttons

The product has two buttons for scanning operations.

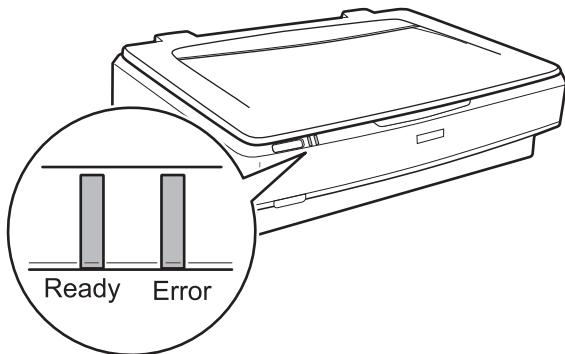
Before using the product buttons, make sure you have installed your scanning software.



1	 button	Starts scanning.
2	 button	Turns the product on if pressed once. Press again to turn the product off.

Lights

The status light indicates whether the product is operating normally.



Light	Indicator Status	Meaning
Ready	On	Ready to scan images. If you cannot scan images, an error may have occurred. Make sure the optional Transparency Unit is completely closed.
	Flashing	Initializing, scanning, or sleeping.
Ready, Error	On	An error has occurred.
	Flashing	An error has occurred.
	Off	The product is off.
Error	Flashing	An error has occurred.

Related Information

- ➔ [“Scanning Using a Scanner Button” on page 26](#)
- ➔ [“Scanner Lights Indicate an Error” on page 54](#)

Information on Applications

This section introduces the application products available for your scanner. The latest application can be installed at the Epson Web site.

Epson Scan 2

Epson Scan 2 is a driver for controlling your scanner, enabling a variety of scan settings. This also allows you to start either as a standalone application or by using TWAIN-compliant application software.

See the Epson Scan 2 help for details on using the application.

Related Information

- ➔ [“Scanning Using Epson Scan 2” on page 18](#)

Application for Updating Software and Firmware (EPSON Software Updater)

EPSON Software Updater is an application that installs new software, and updates firmware and manuals over the Internet. If you want to check for update information regularly, you can set the interval for checking for updates in EPSON Software Updater's auto update settings.

Note:

Windows Server operating systems are not supported.

Starting on Windows

Windows 11

Click the start button, and then select **All apps > Epson Software > EPSON Software Updater**.

Windows 10

Click the start button, and then select **Epson Software > EPSON Software Updater**.

Windows 8.1/Windows 8

Enter the application name in the search charm, and then select the displayed icon.

Windows 7

Click the start button, and then select **All Programs > Epson Software > EPSON Software Updater**.

Starting on Mac OS

Select **Go > Applications > Epson Software > EPSON Software Updater**.

Related Information

- ➔ [“Updating Applications and Firmware” on page 52](#)

Placing Originals on the Product

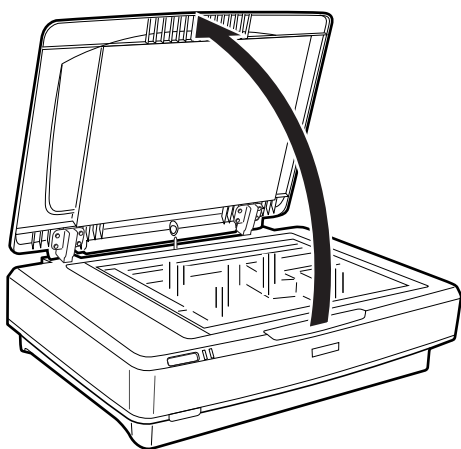


Important:

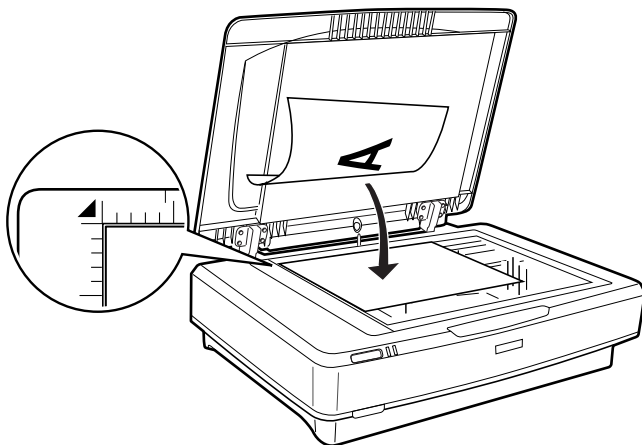
Do not place heavy objects on the scanner glass and do not press the glass with too much force.

Placing Originals

1. Open the document cover.



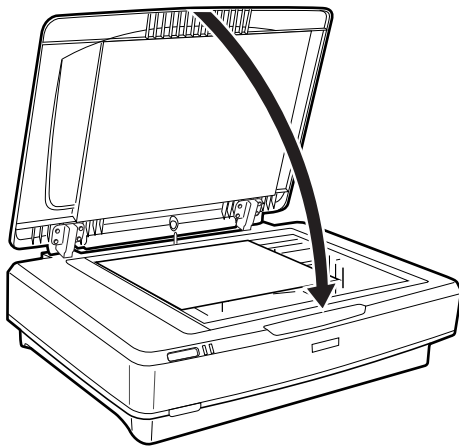
2. Place your original face down on the scanner glass making sure the top corner of the side you want to scan is aligned with the ▼ mark.



Note:

If you are scanning multiple originals at once, position each original at least 20 mm (0.8 inch) apart from the others.

3. Close the document cover gently so that your original does not move.



Note:

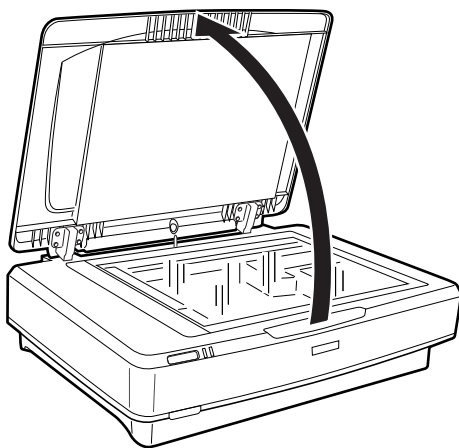
- Always keep the scanner glass clean.
- Do not leave originals on the scanner glass for an extended period of time as they may stick to the glass.

Related Information

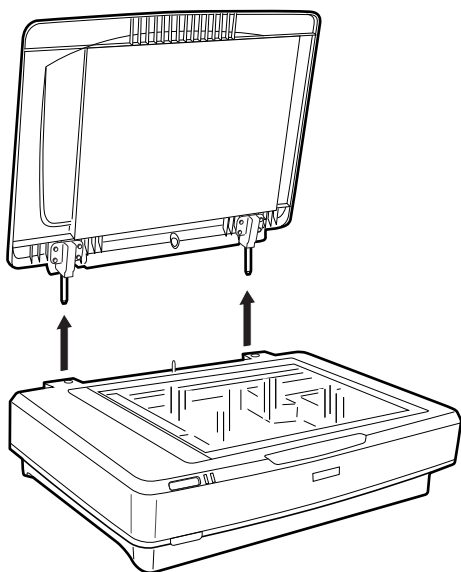
➔ [“Basic Scanning” on page 18](#)

Placing Large or Thick Originals

1. Open the document cover.



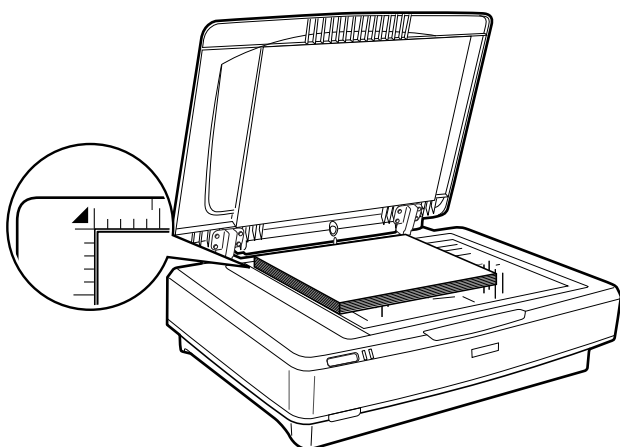
If the size of the original exceeds the size of the document cover, you can lift the document cover straight up and remove it to make it easier to align the original. When you have finished scanning, replace the document cover in the reverse order that you removed it.



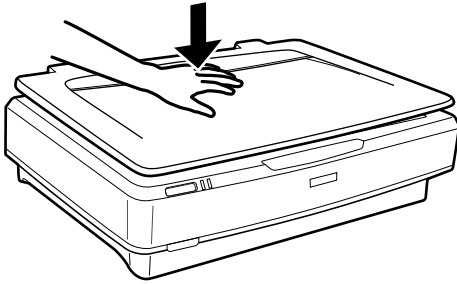
! Important:

- ❑ Before removing the document cover, make sure you raise it to the upright position to prevent the hinges from snapping back on the springs.
- ❑ Do not force the cover off the scanner or lift the cover from in front of the cover hinge; otherwise, the cover may be damaged.

2. Place a large or thick original face-down on the scanner glass. Make sure the top corner of the original is aligned with the ▼ mark.



3. Close the document cover and hold it down firmly as you scan.



Note:

- When scanning without the document cover, gently press down on your original to flatten it.
- If your original is very thick or curled at the edges, cover the edges with paper to block external light as you scan.

Related Information

- ➔ [“Basic Scanning” on page 18](#)

Basic Scanning

Scanning Using Epson Scan 2

Scanning Photos or Pictures (Photo Mode)

Using **Photo Mode** in Epson Scan 2, you can scan the originals using a wide variety of image adjustment features that are suitable for photos or pictures.

1. Place the originals.

When placing multiple originals on the scanner glass, you can scan them all at the same time. Make sure there is a gap of at least 20 mm (0.79 in.) between the originals.

2. Start Epson Scan 2.

- Windows 11/Windows Server 2022

Click the start button, and then select **All apps > EPSON > Epson Scan 2**.

- Windows 10/Windows Server 2016/Windows Server 2019

Click the start button and select **EPSON > Epson Scan 2**.

- Windows 8.1/Windows 8/Windows Server 2012 R2/Windows Server 2012

Enter the application name in the search charm, and then select the displayed icon.

- Windows 7/Windows Server 2008/Windows Server 2008 R2

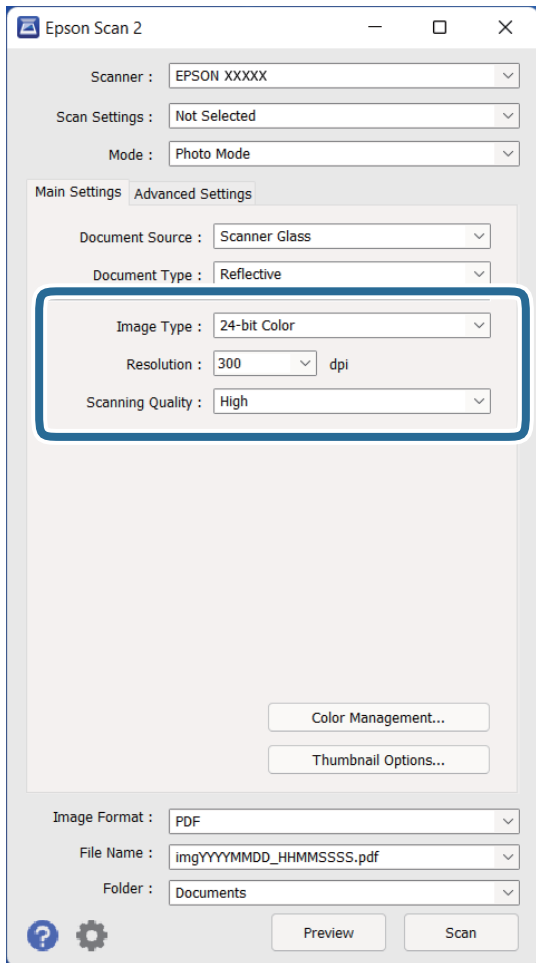
Click the start button, and select **All Programs** or **Programs > EPSON > Epson Scan 2 > Epson Scan 2**.

- Mac OS

Select **Go > Applications > Epson Software > Epson Scan 2**.

3. Select **Photo Mode** from the **Mode** list.

4. Make the following settings on the **Main Settings** tab.



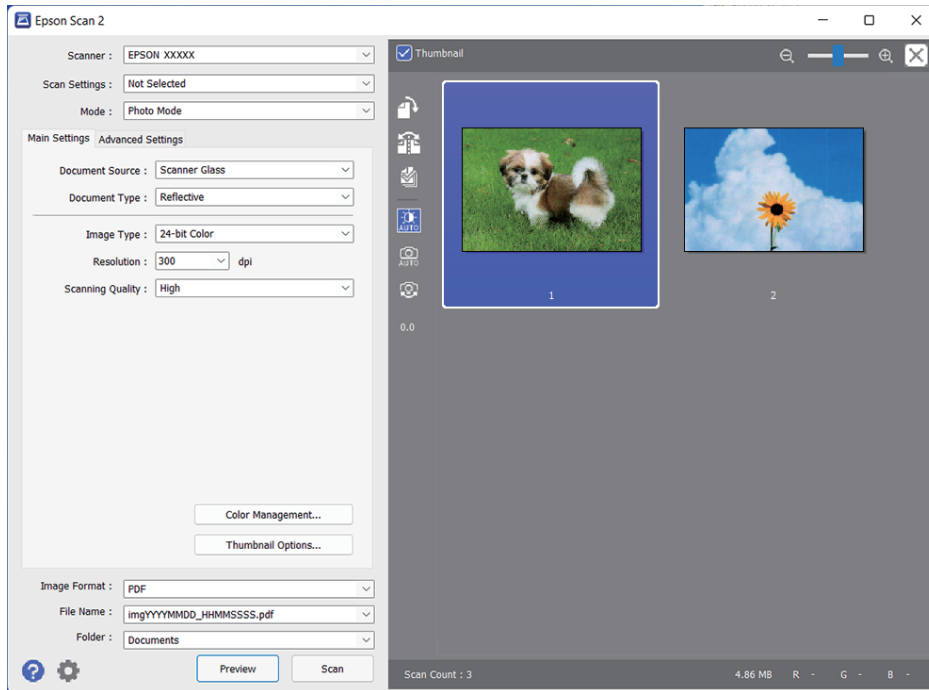
- ❑ **Image Type:** Select the color for saving the scanned image.
- ❑ **Resolution:** Select the resolution.
- ❑ **Scanning Quality:** Select the quality.

Note:

- ❑ When scanning films using the Transparency Unit, set the **Document Source** and **Document Type** as well.
- ❑ Scanning in monochrome (black and white binary) is unavailable in **Photo Mode**. To scan in monochrome, select **Document Mode**.

5. Click **Preview**.

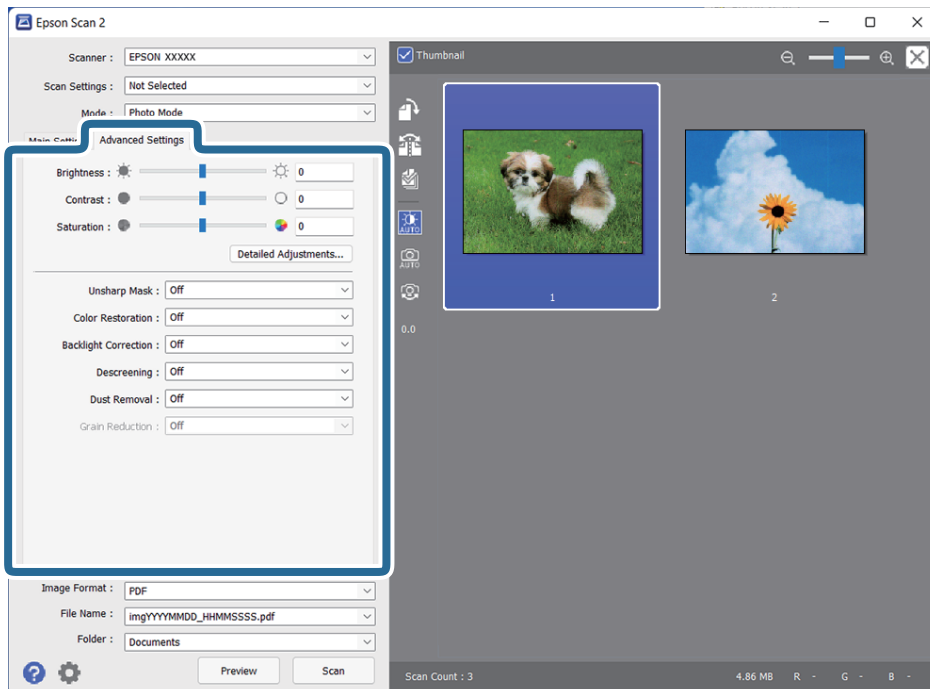
The preview window opens, and the previewed image is displayed as thumbnails.



Note:

To preview the entire scanned area, clear the **Thumbnail** checkbox on the top of the preview window.

6. Check the preview, and make image adjustment settings on the **Advanced Settings** tab if necessary.



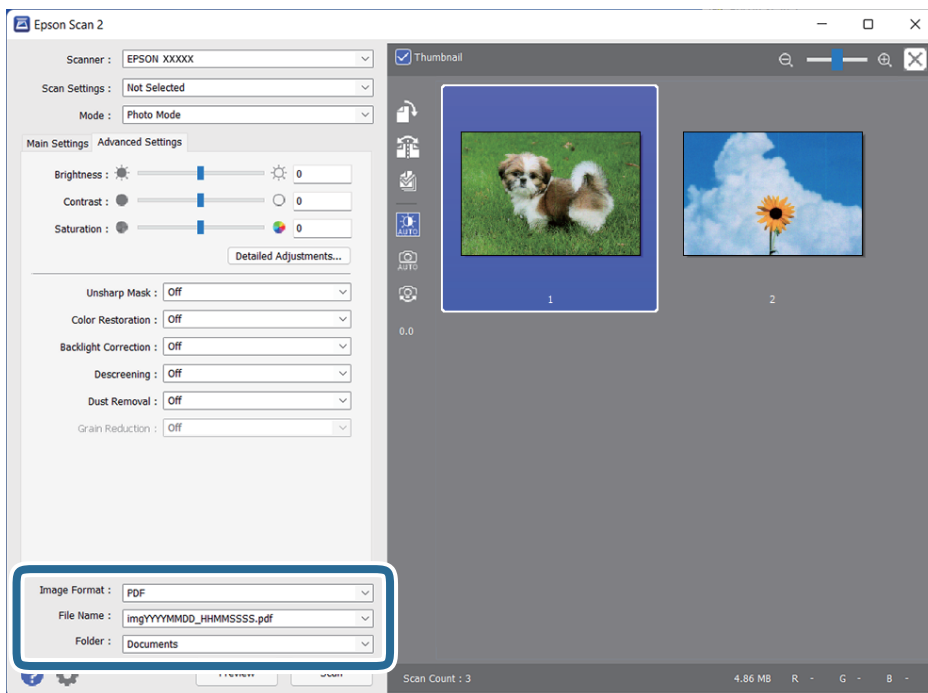
You can adjust the scanned image using detailed settings which are suitable for photos or pictures, such as the following.

- Brightness:** Select to adjust the brightness for the scanned image.
- Contrast:** Select to adjust the contrast for the scanned image.
- Saturation:** Select to adjust the saturation (color vividness) for the scanned image.
- Unsharp Mask:** Select to enhance and sharpen the outlines for the scanned image.
- Color Restoration:** Select to correct images that have faded to return them to their original colors.
- Backlight Correction:** Select to lighten scanned images that are dark due to backlight.
- Descreening:** Select to remove moiré patterns (web-like shadows) that appear when scanning printed papers such as a magazine.
- Dust Removal:** Select to remove dust on the scanned image.

Note:

- Some items may not be available depending on other settings you made.
- Depending on the original, the scanned image may not be adjusted correctly.
- When multiple thumbnails are created, you can adjust the image quality for each thumbnail. Depending on the adjustment items, you can adjust the quality of scanned images at the same time by selecting multiple thumbnails.

7. Set the file saving settings.



- Image Format:** Select the save format from the list.
You can make detailed settings for each save format except BITMAP and PNG. After selecting the save format, select **Options** from the list.
- File Name:** Check the save file name displayed.
You can change settings for the file name by selecting **Settings** from the list.
- Folder:** Select the save folder for the scanned image from the list.
You can select another folder or create a new folder by selecting **Select** from the list.

8. Click **Scan**.

Related Information

- ➔ [“Placing Originals on the Product” on page 14](#)
- ➔ [“Epson Scan 2” on page 13](#)
- ➔ [“Setting a Resolution That Suits the Scanning Purpose” on page 25](#)
- ➔ [“Image Adjustment Features for Photo Mode” on page 27](#)

Scanning Documents (Document Mode)

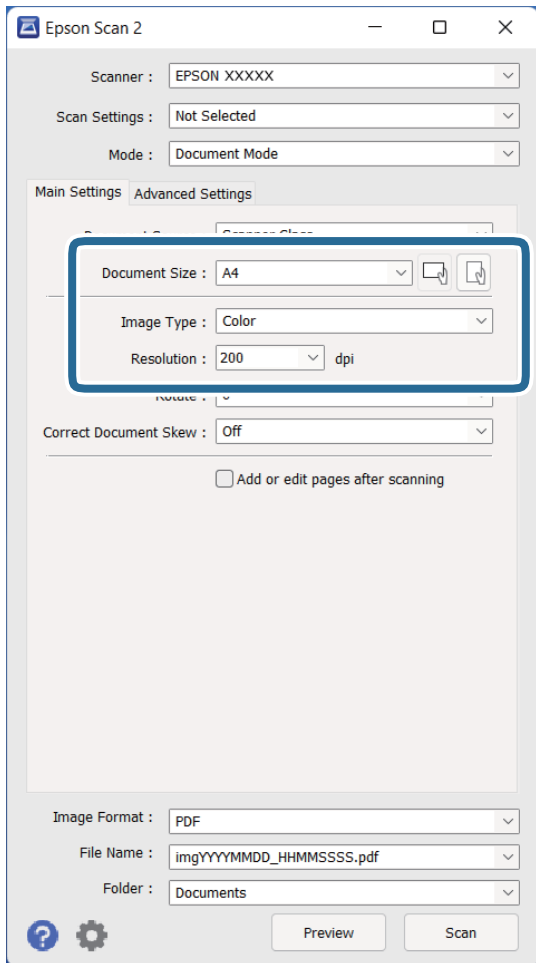
Using **Document Mode** in Epson Scan 2, you can scan the originals using detailed settings that are suitable for text documents.

Note:

*You cannot scan films using Transparency Unit when scanning from **Document Mode**.*

1. Place the originals.
2. Start Epson Scan 2.
 - Windows 11/Windows Server 2022
Click the start button, and then select **All apps > EPSON > Epson Scan 2**.
 - Windows 10/Windows Server 2016/Windows Server 2019
Click the start button and select **EPSON > Epson Scan 2**.
 - Windows 8.1/Windows 8/Windows Server 2012 R2/Windows Server 2012
Enter the application name in the search charm, and then select the displayed icon.
 - Windows 7/Windows Server 2008/Windows Server 2008 R2
Click the start button, and select **All Programs or Programs > EPSON > Epson Scan 2 > Epson Scan 2**.
 - Mac OS
Select **Go > Applications > Epson Software > Epson Scan 2**.
3. Select **Document Mode** from the **Mode** list.

4. Make the following settings on the **Main Settings** tab.



- Document Size:** Select the size of the original you placed.
- Image Type:** Select the color for saving the scanned image.
- Resolution:** Select the resolution.

Note:

The **Document Source** setting is fixed as **Scanner Glass**. You cannot change this setting.

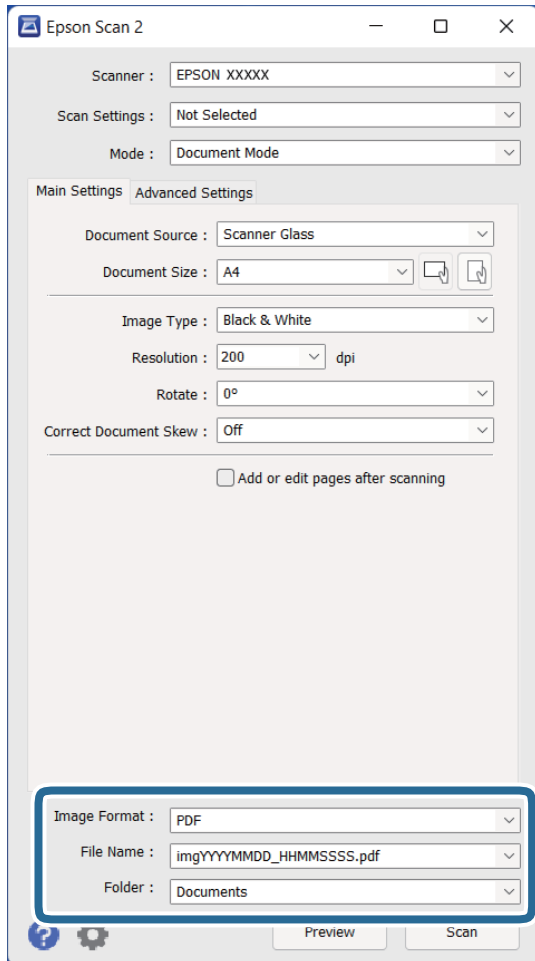
5. Make other scan settings if necessary.

- You can preview the scanned image by clicking the **Preview** button. The preview window opens, and the previewed image is displayed.
- On the **Advanced Settings** tab, you can make image adjustments using detailed settings which are suitable for text documents, such as the following.
 - Text Enhancement:** Select to make blurred letters in the original clear and sharp.
 - Auto Area Segmentation:** Select to make letters clear and images smooth when performing black and white scanning for a document that contains images.
 - Unsharp Mask:** Select to enhance and sharpen the outlines of the image.
 - Descreening:** Select to remove moiré patterns (web-like shadows) that appear when scanning printed papers such as a magazine.

Note:

Some items may not be available depending on other settings you made.

6. Set the file saving settings.



- Image Format:** Select the save format from the list.
You can make detailed settings for each save format except BITMAP and PNG. After selecting the save format, select **Options** from the list.
- File Name:** Check the save file name displayed.
You can change settings for the file name by selecting **Settings** from the list.
- Folder:** Select the save folder for the scanned image from the list.
You can select another folder or create a new folder by selecting **Select** from the list.

7. Click **Scan**.

Related Information

- ➔ [“Placing Originals on the Product” on page 14](#)
- ➔ [“Epson Scan 2” on page 13](#)
- ➔ [“Setting a Resolution That Suits the Scanning Purpose” on page 25](#)
- ➔ [“Image Adjustment Features for Document Mode” on page 33](#)

Setting a Resolution That Suits the Scanning Purpose

Advantages and Disadvantages of Increasing the Resolution

Resolution indicates the number of pixels (smallest area of an image) for each inch (25.4 mm), and is measured in dpi (dots per inch). The advantage of increasing the resolution is that the details in the image become fine. The disadvantage is that the file size becomes large.

- File size becomes large
(When you double the resolution, the file size becomes about four times larger.)
- Scanning, saving, and reading the image takes a long time
- Sending and receiving emails or faxes takes a long time
- The image becomes too large to fit the display or print on the paper

List of Recommended Resolutions to Suit Your Purpose

See the table and set the appropriate resolution for the purpose of your scanned image.

Purpose	Resolution (Reference)
Displaying on a screen Sending by email	Up to 200 dpi
Film Archiving	1,200 to 2,400 dpi
Using Optical Character Recognition (OCR) Creating a text searchable PDF	200 to 300 dpi
Printing using a printer Sending by fax	200 to 300 dpi

Recommended Resolutions for Scanning Film to Print

Film Size	Printout Size	Resolution (Reference)
35 mm film strips Mounted slides	KG size	1,200 dpi
	A4	2,400 dpi
	A3	3,200 dpi
	A2	4,800 dpi
	A1	6,400 dpi
	A0	6,400 dpi

Film Size	Printout Size	Resolution (Reference)
6×7 cm film	KG size	600 dpi
	A4	1,200 dpi
	A3	1,600 dpi
	A2	2,400 dpi
	A1	3,200 dpi
	A0	4,800 dpi
4×5 inch film	KG size	300 dpi
	A4	600 dpi
	A3	1,200 dpi
	A2	1,600 dpi
	A1	2,400 dpi
	A0	3,200 dpi



Scanning Using a Scanner Button

You can scan using the button on your scanner.

Note:

Before using this feature, check the following.

- Epson Scan 2 is installed on your computer.*
- The scanner is connected to your computer correctly.*

1. Place the original.
2. Press the  button.
Epson Scan 2 starts.
3. Make scan settings if necessary, and then press the  button again.
Scanning starts.

Related Information

- ➔ [“Part Names” on page 10](#)
- ➔ [“Placing Originals on the Product” on page 14](#)

Advanced Scanning

Image Adjustment Features for Photo Mode

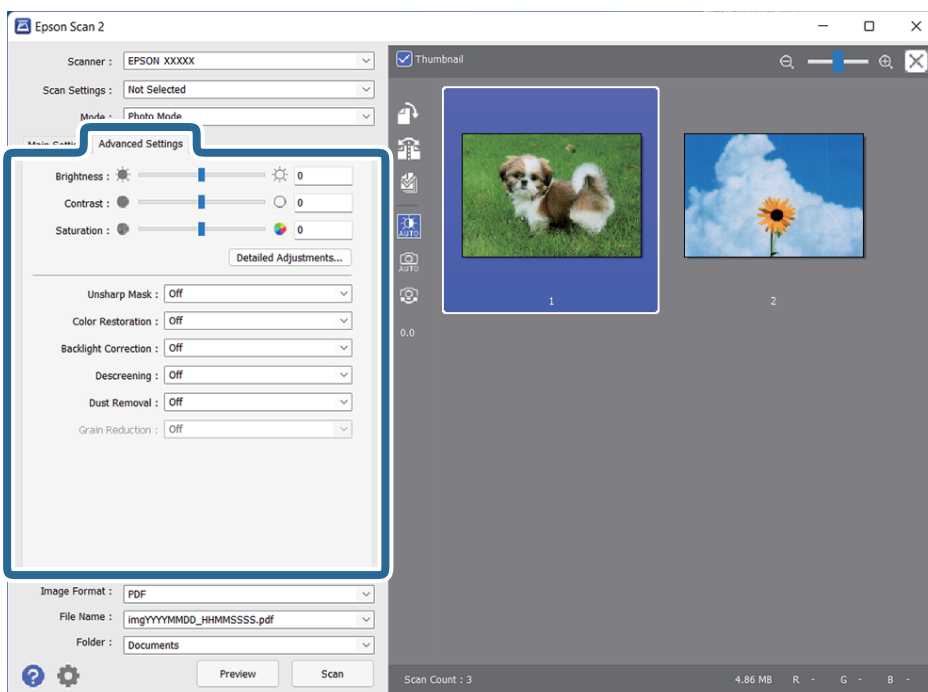
You can adjust scanned images using the features on the **Advanced Settings** tab in Epson Scan 2.

For **Photo Mode**, you can use image adjustment features that are suitable for photos or pictures.

For most features, you can check the adjustment results in the preview window.

Note:

Some items may not be available depending on other settings you made.



Brightness

You can adjust the brightness for the whole image.



Note:

*This feature is not available depending on the settings on the **Main Settings** tab > **Image Type** or the settings on the **Advanced Settings** tab.*

Contrast

You can adjust the contrast for the whole image. If you increase the contrast, the bright areas become brighter, and the dark areas become darker. On the other hand, if you lower the contrast, the differences between the bright and dark areas of the image are less defined.



Note:

*This feature is not available depending on the settings on the **Main Settings** tab > **Image Type** or the settings on the **Advanced Settings** tab.*

Saturation

You can adjust the saturation (color vividness) for the whole image. When you increase the saturation, the colors become vivid. On the other hand, when you lower the saturation, the color becomes neutral (gray).



Note:

*This feature is not available depending on the settings in **Image Type** on the **Main Settings** tab.*

Detailed Adjustments Button

Detailed Adjustments Screen

You can adjust the image quality for the scanned image by using a histogram or tone curve. This allows you to output high-quality images while keeping image degradation to a minimum.

Reset button

Returns adjustments made on the **Detailed Adjustments** screen to their defaults.

Image Adjustment Tab

You can adjust the color balance and gray balance of the image.




Color Balance

Adjusts the color balance of the image. You can adjust the tint when photos are tinted with red and green due to the weather or the lighting where the photo was shot.

Gray Balance Intensity


Adjusts the gray balance of the image. You can remove colors if they have too much of an impact on the image due to the illumination and so on of specific colors.

Operations are available once you select the parts you want to make black and white or gray (neutral) with the  button.



button

Use the eyedropper displayed on the preview image, and select the parts you want to make black and white or gray (neutral).

You can change the measurement range for the eyedropper by clicking the  (**Configuration**) button, and then selecting **Preview > Eyedropper Sampling Area**.

Tone Correction Tab

You can use the tone curve to adjust the brightness and contrast of the image.



Tone Correction

By adjusting the shape of the tone curve, you can adjust the brightness and contrast of the image.

You can add up to 16 points along the line of the tone curve to control the shape.

You can remove unnecessary points by dragging the line outside the graph for the tone curve.

Channel

Select the color (RGB) to be adjusted using the tone curve.

Preset

Standard tone curves have already been registered. We recommend fine-tuning the tone curve after selecting an item that best suits your needs.

When selecting **Linear**, the tone curve becomes a straight line (density is not corrected).

Histogram Adjustment Tab

You can use the histogram to adjust the brightness of the image.






Histogram

While checking the histogram (a graph that indicates light and shade) of the image, you can adjust the brightness (shadow for the darkest parts, gamma for the medium light and shade parts, and highlight for the lightest parts) of the image.

Adjust using one of the following methods.

- Move the triangle mark


The  symbol indicates shadow,  indicates gamma, and  indicates highlights.

- Select the  button

Use the eyedropper displayed on the preview image, and select the color you want to shadow, gamma, or highlight.

- Enter values directly

Adjust the values in **Output** for shadow and highlight. When the highlight is set to 255, the light parts will be white. When the shadow is set to 0, the dark parts will be black.

You can change the measurement range for the eyedropper by clicking the  (**Configuration**) button, and then selecting **Preview > Eyedropper Sampling Area**.

Channel

Select the color (RGB) to be adjusted using the histogram.

Input

Displays the values for shadow, gamma, and highlight when scanning an original.

Output

Displays the values for the previous shadow and highlight adjustments.

Tone Curve

Displays the density for the output value for the image input value.

Adjusts the density outside of the shadow or highlight parts set in **Histogram**.

Unsharp Mask

You can enhance and sharpen the outlines of the image.



Note:

*This feature is not available when selecting the **Main Settings** tab > **Image Type** > **Black & White**.*

Color Restoration

You can correct images and film that have faded to return them to their original colors.



Note:

Depending on the state of the original, it may not be corrected correctly. In this situation, adjust from the **Detailed Adjustments** screen.

When adjusting image quality on the **Detailed Adjustments** screen after previewing an original, press the



(**Auto Exposure**) button on the preview screen.

Backlight Correction

You can lighten images and film that are dark due to backlight.



Note:

Depending on the state of the original, it may not be corrected correctly. In this situation, adjust from the **Detailed Adjustments** screen.

When adjusting image quality on the **Detailed Adjustments** screen after previewing an original, press the



(**Auto Exposure**) button again on the preview screen.

Descreening

You can remove moiré patterns (web-like shadows) that appear when scanning printed paper such as a magazine.



To check for moiré patterns, display the image at 100 % (1:1). If the displayed image is zoomed out, the image appears rough and may look like it has moiré patterns.

Note:

- To use this feature, set the **Resolution** on the **Main Settings** tab to 600 dpi or less.
- This feature is not available when selecting the **Main Settings** tab > **Image Type** > **Black & White**.
- This feature is not available when scanning films.
- The effect of this feature cannot be checked in the preview window.
- This feature softens the sharpness of the scanned image.

Dust Removal

You can remove dust on photos and film.



Note:

- Depending on the state of the original, it may not be corrected correctly.
- The effect of this feature cannot be checked in the preview window.
- If the amount of free space in the memory is running low, you may not be able to scan.

Grain Reduction

You can reduce the grainy texture or roughness in images that occurs when scanning film.



- Depending on the state of the original, it may not be corrected correctly.
- This feature is not available when scanning photos.
- The effect of this feature cannot be checked in the preview window.

- ❑ This feature softens the sharpness of the scanned results.

Image Adjustment Features for Document Mode

You can adjust scanned images using the features on the **Advanced Settings** tab in Epson Scan 2.

For **Document Mode**, you can use image adjustment features that are suitable for text documents.

For most features, you can check the adjustment results in the preview window.

Note:

Some items may not be available depending on other settings you made.

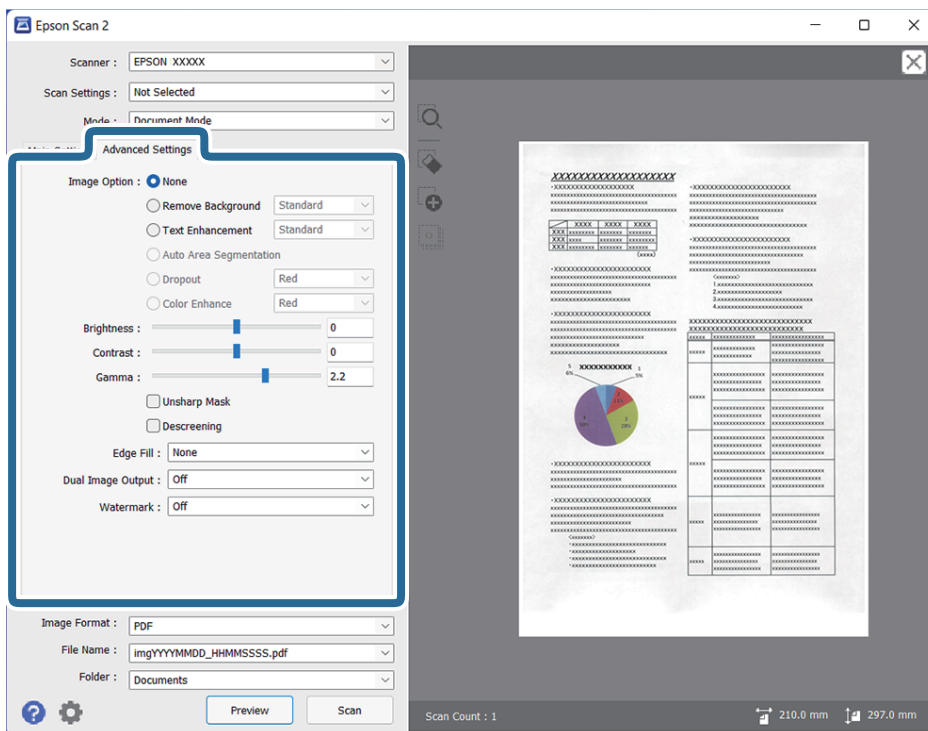


Image Option

Remove Background

You can remove the background of the originals.

You can select the level of the effect by selecting the **Main Settings** tab > **Image Type** > **Color**. If you select **High**, you can remove the background color of the originals, such as colored papers, or papers discolored by sunlight or time.

To use this feature, the background color of the originals should be the lightest color in the originals, and should be uniform. This feature is not applied correctly if there are patterns in the background, or there are text or illustrations which are a lighter color than the background.

Note:

*This feature is not available when you select the **Main Settings** tab > **Image Type** > **Black & White**.*

Text Enhancement

You can make blurred letters in the original clear and sharp. You can also reduce the offset or unevenness of the background.



When you select the **Main Settings** tab > **Image Type** > **Color** or **Grayscale**, you can select the level of the effect from **Standard** or **High**

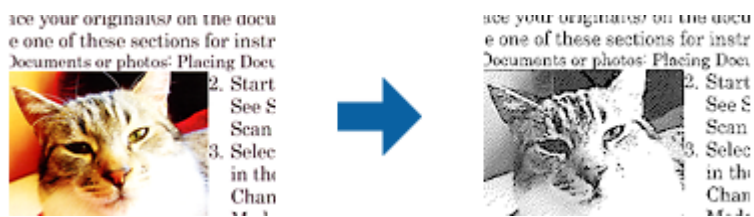
When you select the **Main Settings** tab > **Image Type** > **Black & White**, the **Settings** button is available which allows you to make detailed settings for the level of the effect in the **Text Enhancement Settings** screen.

Note:

- To use this feature, set the **Resolution** on the **Main Settings** tab to 600 dpi or less.
- Depending on the original or resolution you set, **Text Enhancement** may not be applied.

Auto Area Segmentation

You can make letters clear and images smooth when performing black and white scanning for a document that contains images.



You can adjust the quality of the image part of the original from **Brightness** and **Contrast**.

Note:

- You can only make settings for this feature when selecting the **Main Settings** tab > **Image Type** > **Black & White**.
- To use this feature, set the **Resolution** on the **Main Settings** tab to 600 dpi or less.

Dropout

You can remove the color specified from the scanned image, and then save it in grayscale or black and white. For example, you can erase marks or notes you wrote in the margins with color pen when scanning.



If you select **Customize** from the color list in **Dropout**, you can make settings for the color you want to remove while checking the preview window (for Windows only).

Note:

*This feature is not available when selecting the **Main Settings** tab > **Image Type** > **Auto** or **Color**.*

Color Enhance

You can enhance the color specified for the scanned image, and then save it in grayscale or black and white. For example, you can enhance letters or lines that are in light colors.



If you select **Customize** from the color list in **Color Enhance**, you can make settings for the color you want to enhance while checking the preview window (for Windows only).

Note:

*This feature is not available when selecting the **Main Settings** tab > **Image Type** > **Auto** or **Color**.*

Brightness

You can adjust the brightness for the whole image.



Note:

*This feature is not available depending on the settings on the **Main Settings** tab > **Image Type** or the settings on the **Advanced Settings** tab.*

Contrast

You can adjust the contrast for the whole image. If you increase the contrast, the bright areas become brighter, and the dark areas become darker. On the other hand, if you lower the contrast, the differences between the bright and dark areas of the image are less defined.



Note:

*This feature is not available depending on the settings on the **Main Settings** tab > **Image Type** or the settings on the **Advanced Settings** tab.*

Gamma

You can adjust the gamma (brightness of the intermediate range) for the whole image. If the image is too light or too dark, you can adjust the brightness.

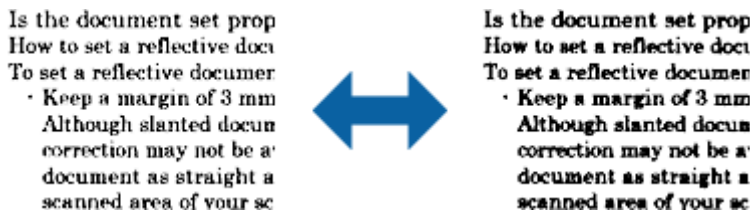


Note:

This feature is not available depending on the settings on the **Main Settings** tab > **Image Type** or the settings on the **Advanced Settings** tab.

Threshold

You can adjust the border for monochrome binary (black and white). Increase the threshold, the black color area becomes larger. Decrease the threshold, the white color area becomes larger.



Note:

This feature may not be available depending on the settings on the **Main Settings** tab > **Image Type** or the settings on the **Advanced Settings** tab.

Unsharp Mask

You can enhance and sharpen the outlines of the image.



Note:

This feature is not available when selecting the **Main Settings** tab > **Image Type** > **Black & White**.

Desccreening

You can remove moiré patterns (web-like shadows) that appear when scanning printed paper such as a magazine.



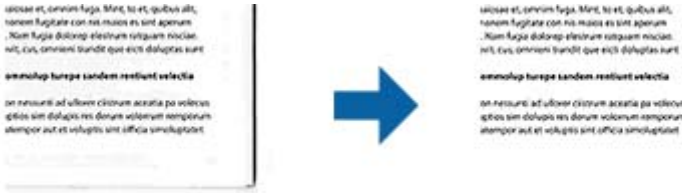
To check for moiré patterns, display the image at 100 % (1:1). If the displayed image is zoomed out, the image appears rough and may look like it has moiré patterns.

Note:

- To use this feature, set the **Resolution** on the **Main Settings** tab to 600 dpi or less.
- This feature is not available when selecting the **Main Settings** tab > **Image Type** > **Black & White**.
- This feature is not available when scanning films.
- The effect of this feature cannot be checked in the preview window.
- This feature softens the sharpness of the scanned image.

Edge Fill

You can remove the shadow created around the scanned image.



For double-sided scanning, the settings for the edge fill range are mirror-reversed for the back of the original.

If you select **Settings**, the **Edge Fill Level** screen is displayed, and you can adjust the edge fill ranges for the top, bottom, left, and right.

Note:

The effect of this feature cannot be checked in the preview window.

Dual Image Output (for Windows Only)

You can scan once and save two images with different output settings at the same time.

The **Settings for Output 2** screen is displayed when you select **On** or **Settings**. Change the settings for the second scanned image (image 2).

Watermark (for Windows only)

You can add a watermark to the scanned image.

Select **Settings** to display the **Watermark Settings** screen.

Saving as a Searchable PDF

You can save the scanned image as a Searchable PDF. This is a PDF in which searchable text data is embedded.

Note:

- Text on the originals is recognized using Optical Character Recognition (OCR), and then embedded in the scanned image.*
- This feature is only available when the EPSON Scan OCR component (Windows) or Epson Scan 2 OCR component (Mac OS) is installed.*

1. Place the original.
2. Start Epson Scan 2.
3. Make settings for each item on the **Main Settings** tab.
4. Click **Preview**.
5. Check the preview, and make other settings on the **Advanced Settings** tab if necessary.
6. Select **Searchable PDF** from the **Image Format** list.
7. Select **Options** from the **Image Format** list to open the **Image Format Options** window.
8. Select the **Text** tab on the **Image Format Options** window.
9. Check that the language of the original is selected in the **Text Language** list.
10. Click **OK** to close the **Image Format Options** window.
11. Check the save file name displayed in **File Name**.
12. Select the save folder for the scanned image from the **Folder** list.
13. Click **Scan**.

The scanned image is saved as a Searchable PDF.

Related Information

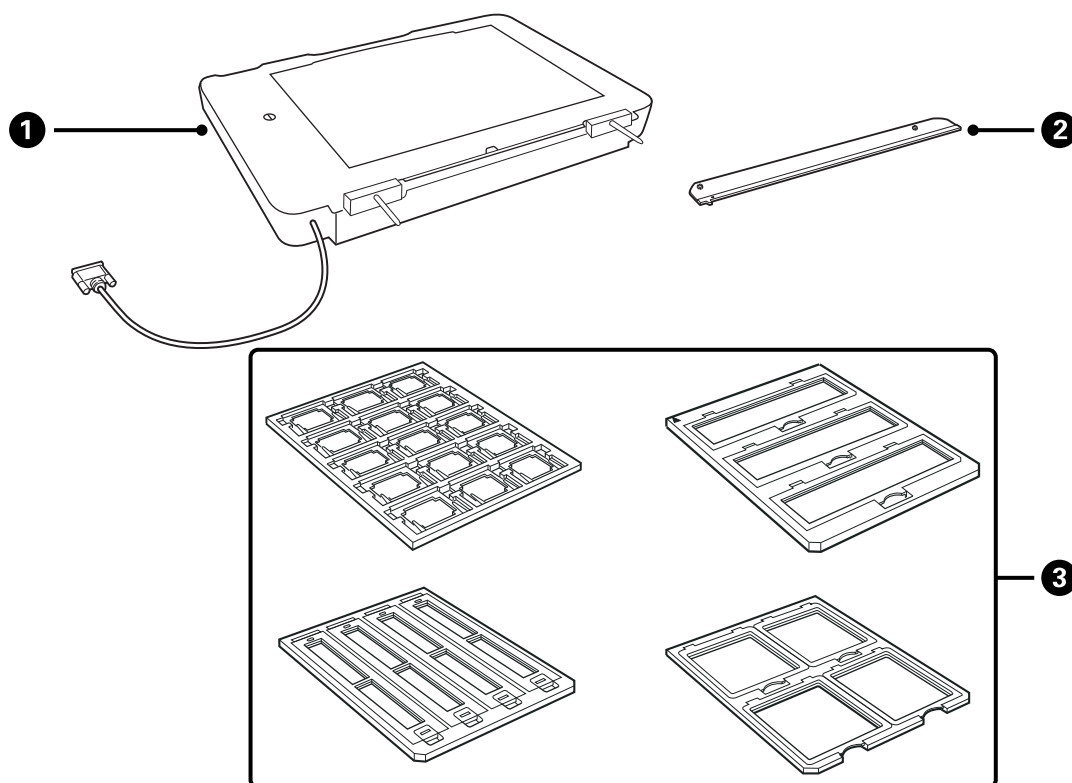
- ➔ [“Scanning Using Epson Scan 2” on page 18](#)
- ➔ [“Placing Originals on the Product” on page 14](#)
- ➔ [“Text is Not Recognized Correctly when Saving as a Searchable PDF” on page 58](#)

Using the Transparency Unit

Unpacking the Transparency Unit

The optional A3 Transparency Unit (B12B819221) allows you to scan films and slides in full color. Once you install the Transparency Unit, you can leave it in place even when you want to return to scanning normal (paper) originals.

Make sure that all the items shown below are included and have not been damaged during shipping. Contact your Epson dealer if any item is missing or damaged.



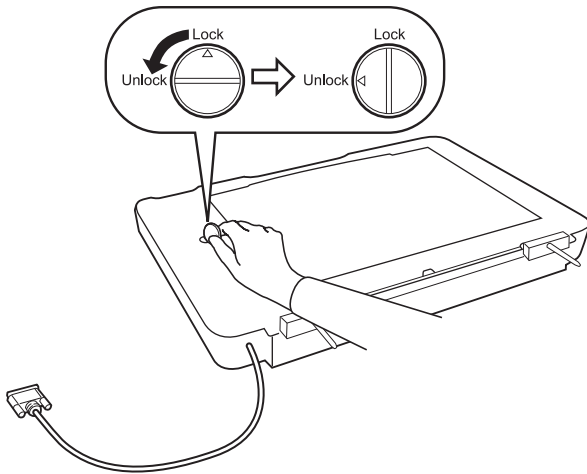
①	Transparency Unit
②	Transparency guide
③	Film holders

Unlocking the transportation lock

Before you install the Transparency Unit, you need to unlock the transportation lock.

1. Turn the unit so that the glass side faces up.

2. Use a coin to unlock the transportation lock by turning it counter-clockwise one-quarter.

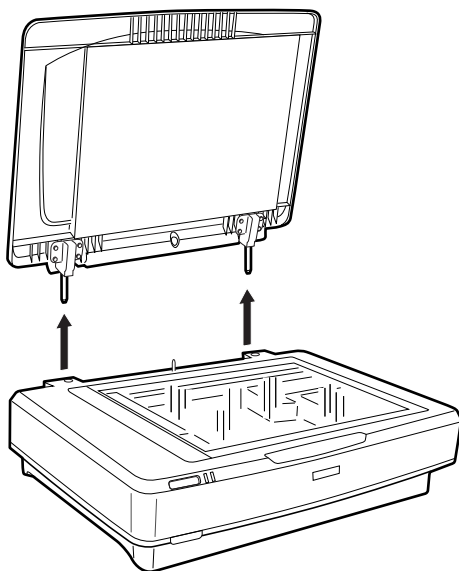


Note:

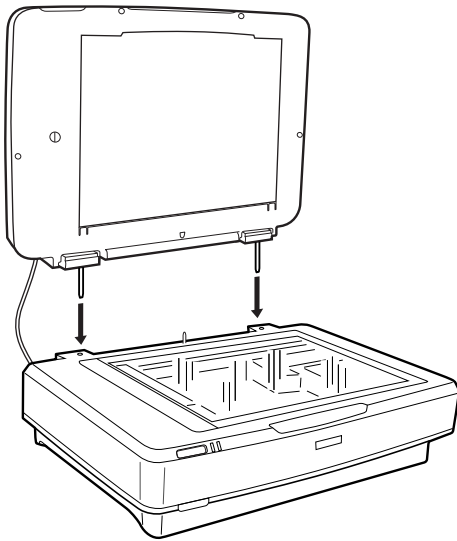
- ❑ Before transporting the scanner, lock the transportation lock to prevent damage.
- ❑ If the unit's lamp assembly is not in its home position, you cannot lock the transportation lock. In this case, reattach the unit to the scanner, close the unit, and then turn on the scanner; the unit's lamp assembly then returns to its home position. Turn off the scanner and remove the Transparency Unit.

Installing the Transparency Unit

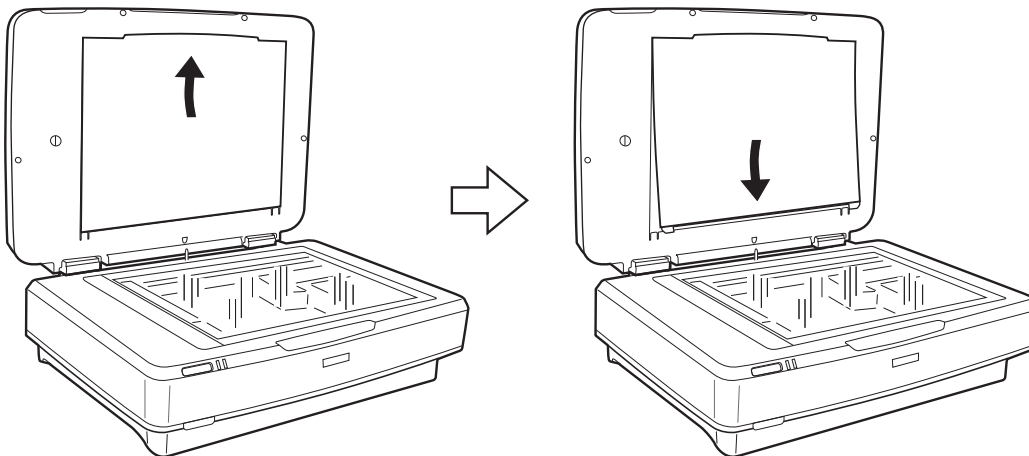
1. Make sure the scanner is turned off, and then unplug the power cord from the scanner.
2. Open the scanner's document cover, and then remove it by lifting the cover straight up.



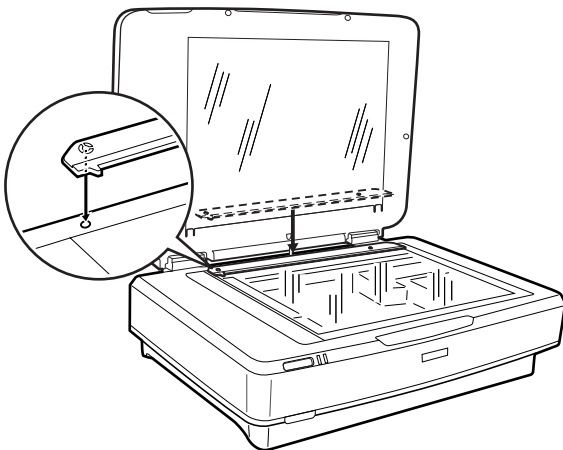
3. Align the pins of the unit with the holes of the scanner, and then lower the unit until it rests securely on the scanner with the pins in the holes.



4. Remove the document mat from the Transparency Unit as shown below.

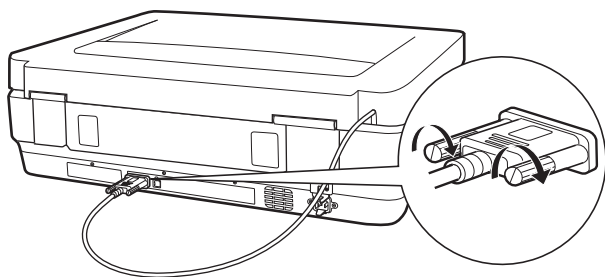


5. Place the transparency guide on the upper edge of the scanner glass as shown below.



6. Close the Transparency Unit.

7. Connect the Transparency Unit's connector to the option connector at the back of the scanner.



8. Connect the power cord to the scanner and then turn on the scanner.



Important:

Do not put heavy objects on the Transparency Unit; otherwise the unit may be damaged.

Setting and Placing Films

Note:

- Before scanning films, make sure you use a soft cloth to wipe the Transparency Unit glass and the scanner glass.
- When scanning films, select the **Photo Mode** in Epson Scan 2, and make sure you set the **Document Source** and **Document Type** correctly.

1. Open the Transparency Unit.
2. Place the film in the appropriate holder.
3. Place the film holder on the scanner glass, aligning it with the notch on the transparency guide. Make sure the glossy side of the film is facing down.
4. Close the Transparency Unit.

If the document mat is installed in the Transparency Unit, remove it.

Use your scanner software to scan the film.

Note:

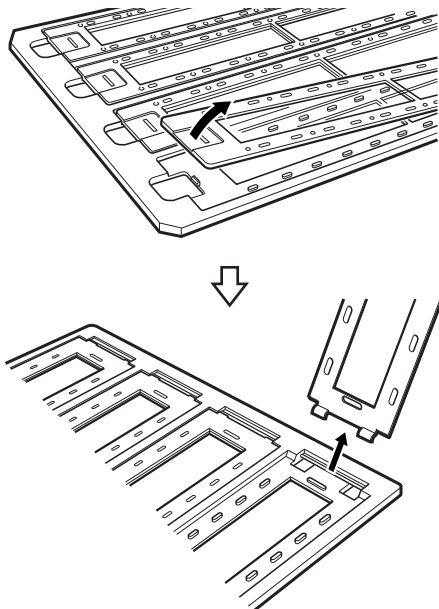
- Make sure the Transparency Unit is completely closed; otherwise, an option error occurs and you cannot scan.
- Store the document mat in the pocket on the top of the Transparency Unit when not in use.

Related Information

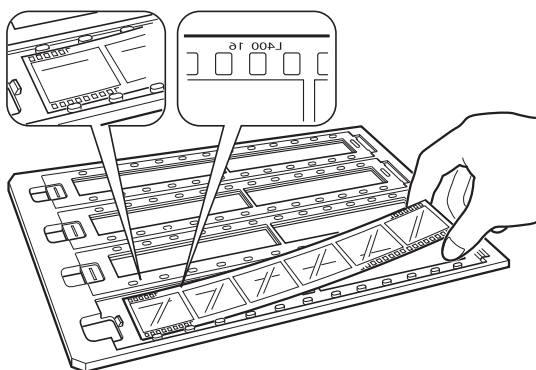
- ➔ [“Installing the Transparency Unit” on page 40](#)

35 mm film strips

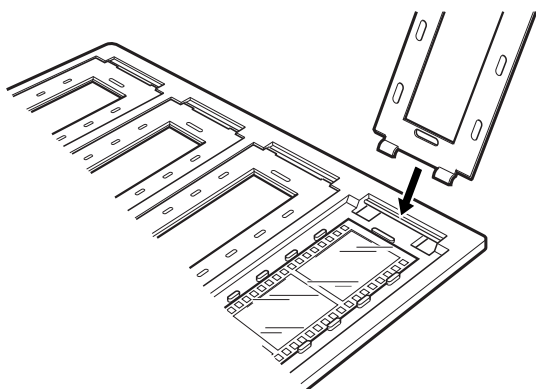
1. Place the 35 mm film holder on a flat surface, and then remove the strip cover.



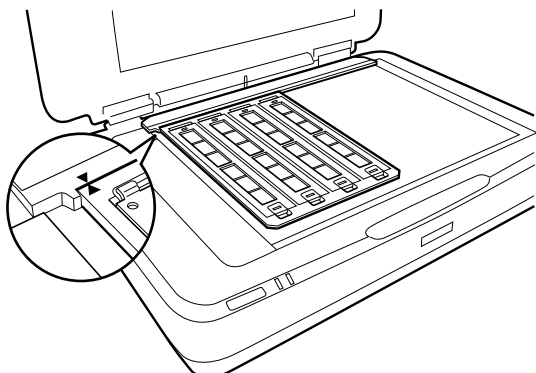
2. Insert the film, face down, in the holder.



3. Replace the strip cover that you removed in step 1. Repeat steps 1 to 3 for all the film strips you want to scan.

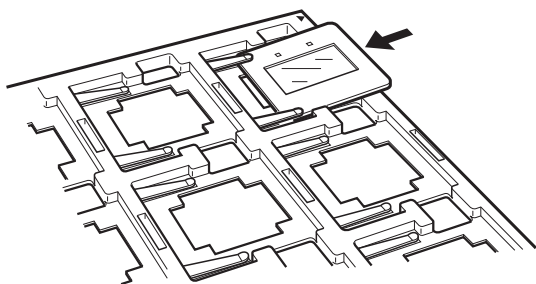


4. Place the film holder on the scanner glass and align it with the notch on the transparency guide as shown below.

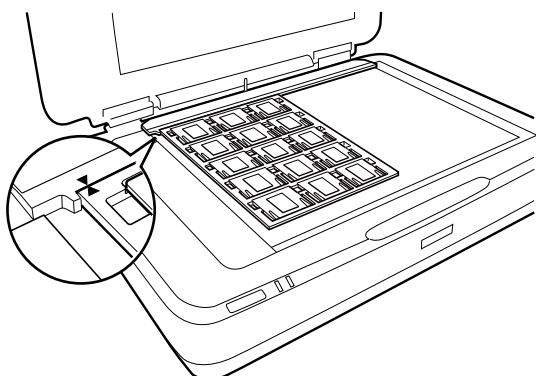


Mounted slides

1. Load slides, face down, in the Mounted slide holder, as shown below. Repeat this step for all the slides you want to scan.

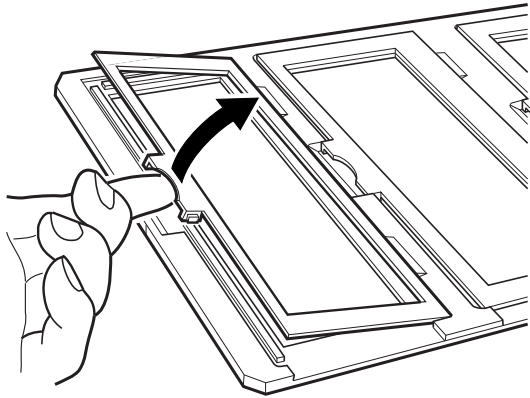


2. Place the slide holder on the scanner glass. Align the slide holder with the notch on the transparency guide, as shown below.

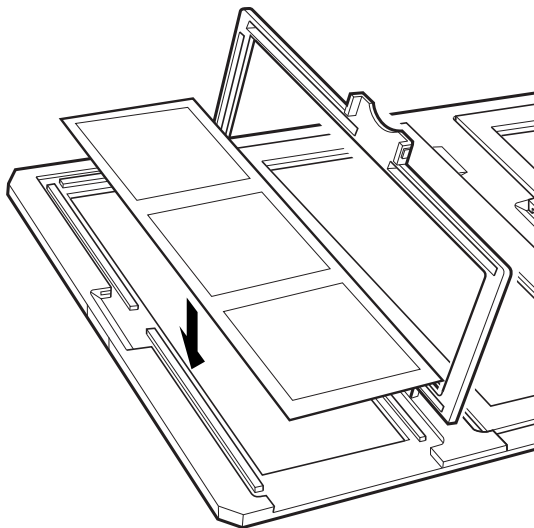


Medium format (120/220)

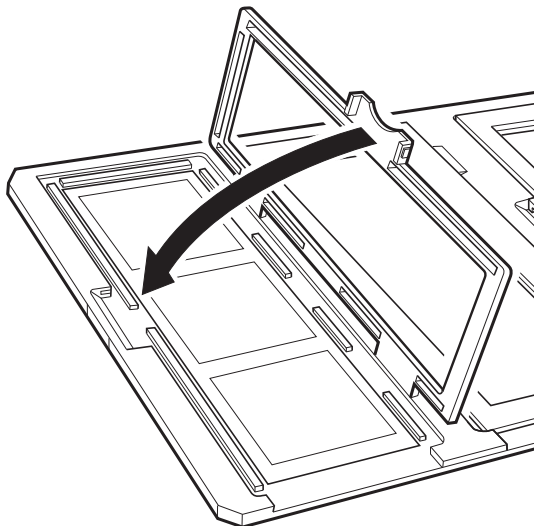
1. Place the Medium format holder on a flat surface, and then open the strip cover.



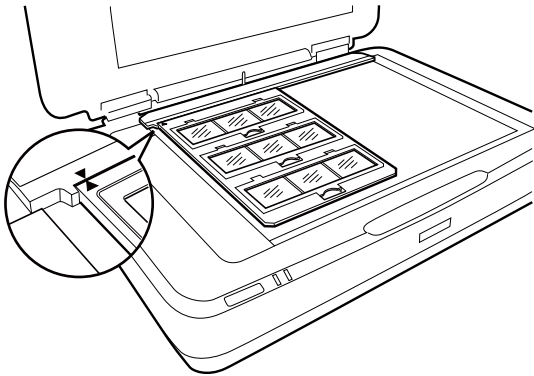
2. Insert the film, face down, in the holder.



3. Close the cover. Repeat steps 1 to 3 for all the films you want to scan.

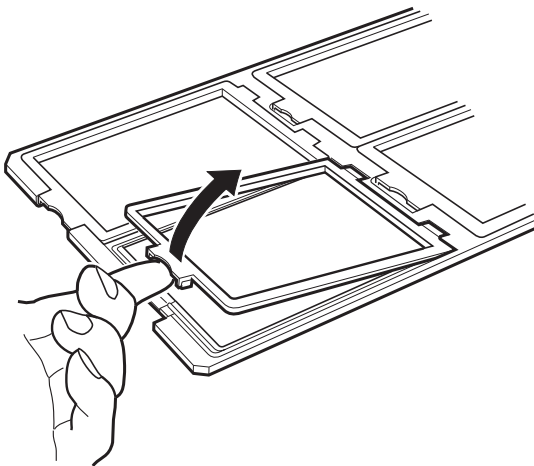


4. Place the film holder on the scanner glass and align it with the notch on the transparency guide, as shown below.

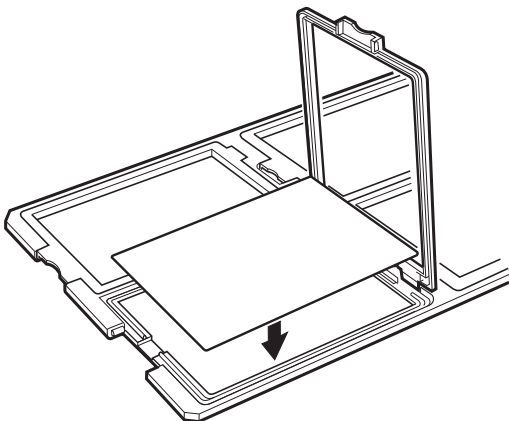


4×5 inch film

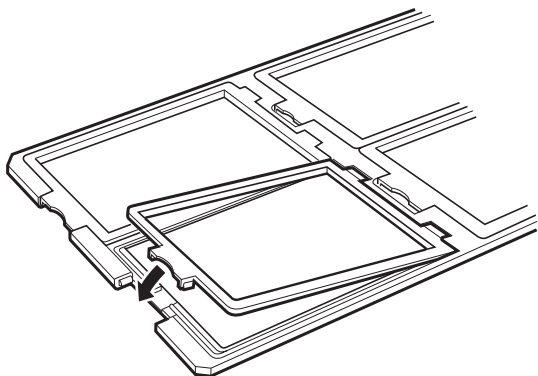
1. Place the 4×5 inch film holder on a flat surface, and then open the cover.



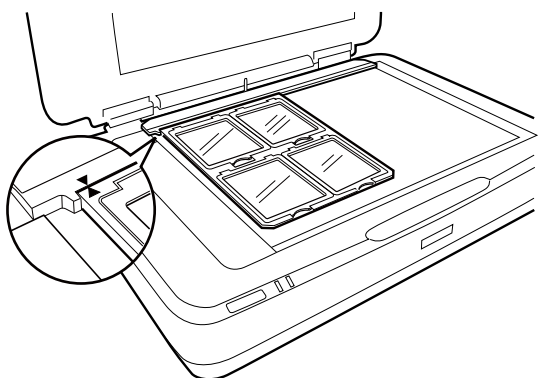
2. Insert the film, face down, in the holder.



3. Close the cover. Repeat steps 1 to 3 for all the films you want to scan.

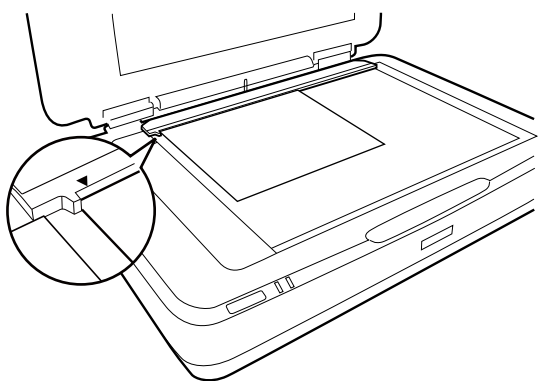


4. Place the holder on the scanner glass and align it with the notch on the transparency guide, as shown below.



Non-standard film sizes

Place the film directly on the scanner glass, making sure the glossy (smooth) side of the film is facing down.



If the document mat is installed in the Transparency Unit, remove it. Close the Transparency Unit.

Note:

- ❑ An area 17.0 ± 0.5 mm from the horizontal and 2.0 ± 0.5 mm from the vertical edges of the scanner glass cannot be scanned.
- ❑ When you place the film directly on the scanner glass, make sure you set the focus position to 0.0 in Epson Scan 2.

Using the Transparency Unit to Scan

Scanning films with suitable settings

This section explains how to make settings suitable for materials you want to scan.

1. Make sure the scanner is connected to your computer.
2. Place your films on the scanner glass.
3. Start Epson Scan 2.
4. Select **Photo Mode** from the **Mode** list.
5. Make the following settings on the **Main Settings** tab.
 - Document Source:** Select **Transparency Unit**.
 - Document Type:** Select the film type to match your films.
 - Image Type:** Select the color for saving the scanned image.
 - Resolution:** Select the resolution.
 - Scanning Quality:** Select the quality.

Note:

When you specify a high resolution, the number of pixels in the data increases and the scanned image becomes fine in texture. However, increasing the resolution causes the data size to increase. Specify a suitable resolution according to the scanning purpose.

6. Click **Preview**.
7. Confirm the preview, and make other settings on the **Advanced Settings** tab if necessary.
8. Set the **Image Format** setting.
9. Confirm the save file name displayed in **File Name**.
10. Select the save folder for the scanned image from the **Folder** list.
11. Click **Scan**.

Related Information

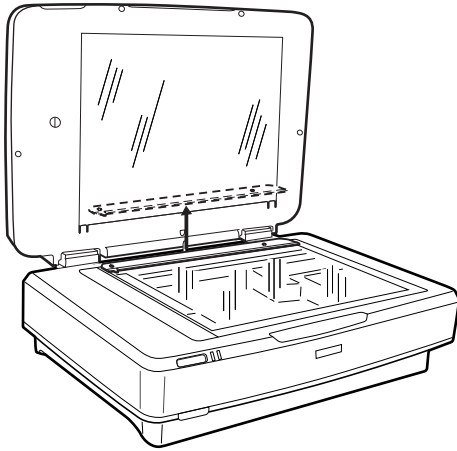
➔ [“Image Adjustment Features for Photo Mode” on page 27](#)

Scanning reflective (non-film) originals

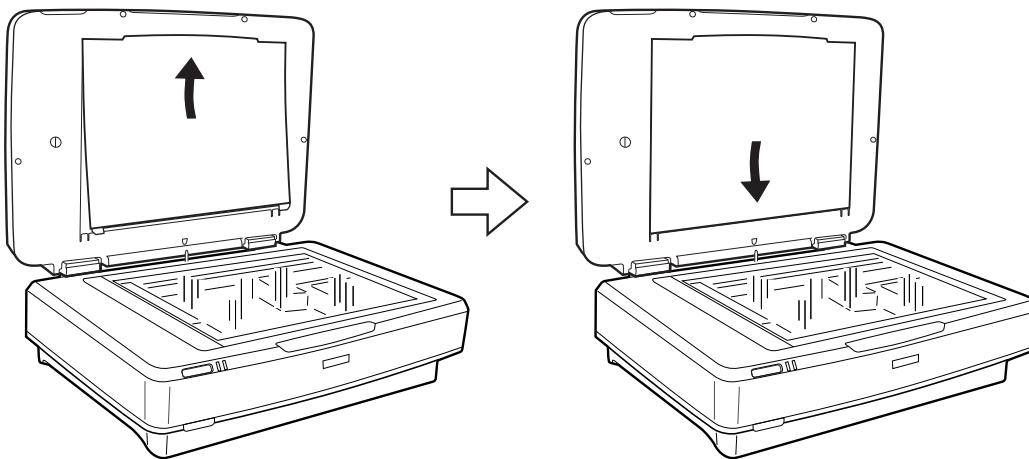
To scan reflective originals using the Transparency Unit, always insert the document mat included with this unit. Also, make sure you remove the transparency guide from the scanner glass.

Insert the document mat as described below.

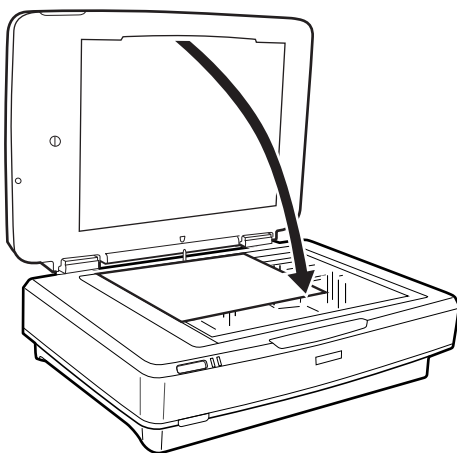
1. Open the Transparency Unit, and then remove the transparency guide from the scanner glass.



2. Slide the mat into the upper side, and then insert the tabs into the slots on the lower side slots on the Transparency Unit.




3. Place your document on the scanner glass, and then close the Transparency Unit.



Maintenance

Cleaning the Scanner


To keep your scanner operating at its best, clean it periodically using the following procedure.

 **Important:**

- Do not press the glass surface of the scanner glass with any force.
- Be careful not to scratch or damage the glass surface of the scanner glass, and do not use a hard or abrasive brush to clean it. A damaged glass surface can decrease the scan quality.
- Never use alcohol, thinner, or corrosive solvent to clean the scanner. These chemicals can damage the product components and the case.
- Be careful not to spill liquid into the scanner mechanism or electronic components. This could permanently damage the mechanism and circuitry.
- Do not spray lubricants on the scanner.
- Never open the scanner case.

1. Turn off the scanner.
2. Unplug the power cord from the scanner.
3. Clean the outer case with a cloth dampened with mild detergent and water.
4. If the glass surface gets dirty, clean it with a soft dry cloth. If the glass surface is stained with grease or some other hard-to-remove material, use a small amount of glass cleaner and a soft cloth to remove it. Wipe off all remaining liquid.

Make sure that dust does not build up on the glass surface. Dust can cause spots and straight lines in your scanned images.

 **Important:**

Do not spray glass cleaner directly on the glass surface.

5. Clean the document cover if it gets dirty.

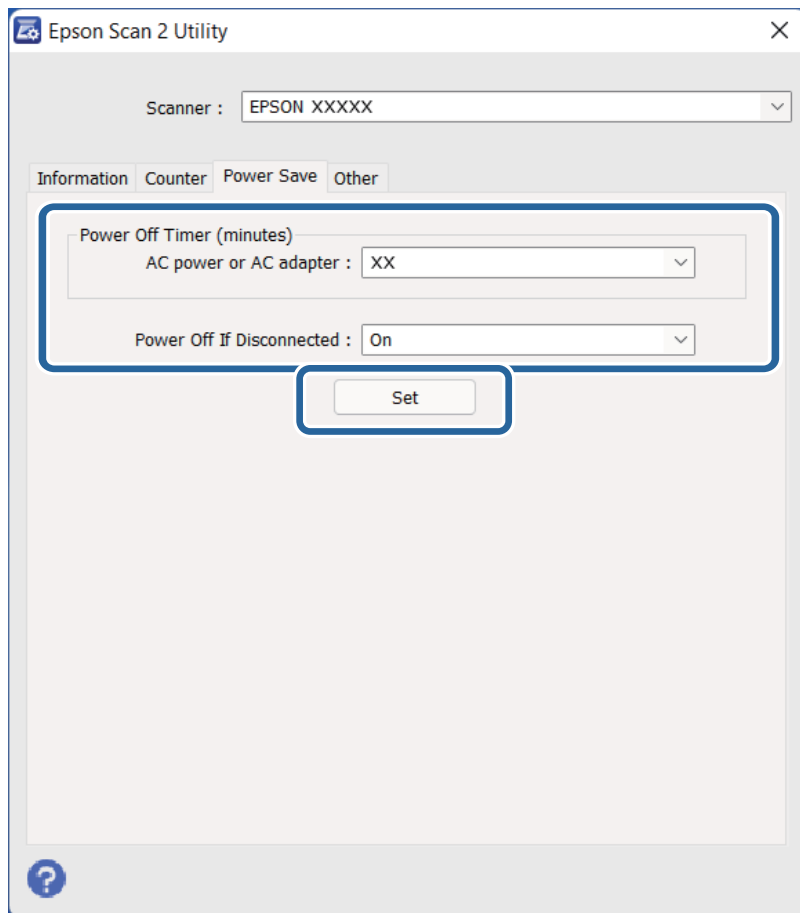
Related Information

➔ [“Part Names” on page 10](#)

Energy Saving

You can adjust the time before power management is applied. Any increase will affect the product's energy efficiency. Please consider the environment before making any changes.

1. Start Epson Scan 2 Utility.
 - Windows 11/Windows Server 2022
Click the start button, and then select **All apps > EPSON > Epson Scan 2 Utility**.
 - Windows 10/Windows Server 2019/Windows Server 2016
Click the start button, and then select **EPSON > Epson Scan 2 Utility**.
 - Windows 8.1/Windows 8/Windows Server 2012 R2/Windows Server 2012
Start screen > Apps > Epson > Epson Scan 2 Utility.
 - Windows 7/Windows Server 2008/Windows Server 2008 R2
Click the start button, and then select **All Programs (or Programs) > EPSON > Epson Scan 2 > Epson Scan 2 Utility**.
 - Mac OS
Select **Go > Applications > Epson Software > Epson Scan 2 Utility**.
2. Click the **Power Save** tab.
3. Set the **Power Off Timer (minutes)** or **Power Off If Disconnected**, and then click **Set**.



Transporting the Scanner

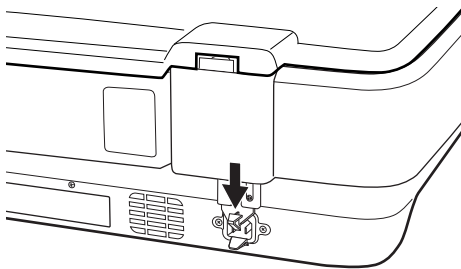
Before you transport the scanner for a long distance or store it for an extended period of time, you need to lock the carriage to prevent damage.



Caution:

Because the product is heavy, one person should never attempt to lift or carry it alone. Two people should lift and carry the product.

1. Make sure the carriage is in the home position on the left side of the scanner. If the carriage is not in the home position, turn on the scanner and wait until the carriage moves to the home position.
2. Turn off the scanner, and then unplug the power cord.
3. Disconnect the USB cable from the scanner.
4. Pull down the transportation lock.



5. Attach the packing materials that came with the scanner, then repack the scanner in its original box or a similar box that fits the scanner snugly.

Related Information

➔ [“Part Names” on page 10](#)

Updating Applications and Firmware

You may be able to clear certain problems and improve or add functions by updating the applications and the firmware. Make sure you use the latest version of the applications and firmware.



Important:

Do not turn off the computer or the scanner while updating.

1. Make sure that the scanner and the computer are connected, and the computer is connected to the internet.
2. Start EPSON Software Updater, and update the applications or the firmware.

Note:

Windows Server operating systems are not supported.

Windows 11

Click the start button, and then select **All apps > Epson Software > EPSON Software Updater**.

Windows 10

Click the start button, and then select **Epson Software > EPSON Software Updater**.

Windows 8.1/Windows 8

Enter the application name in the search charm, and then select the displayed icon.

Windows 7

Click the start button, and then select **All Programs** or **Programs > Epson Software > EPSON Software Updater**.

Mac OS

Select **Finder > Go > Applications > Epson Software > EPSON Software Updater**.

Note:

If you cannot find the application you want to update in the list, you cannot update using the EPSON Software Updater. Check for the latest versions of the applications on your local Epson website.

<http://www.epson.com>

Solving Problems

Scanner Problems

Scanner Lights Indicate an Error

Check the following if the scanner lights indicate an error.

- Try to rescan the original. The scanner returns to normal when it receives correct commands.
- Make sure the transportation lock has been released.
- Turn off the scanner and turn it on again. If this does not solve the problem, the scanner may be malfunctioning, or the light source in the scanner unit may need to be replaced. Contact your dealer.

Related Information

➔ [“Buttons and Lights” on page 11](#)

Problems Starting Scanning

- Make sure the scanning software is fully installed.
See the paper manual for instructions on installing the scanning software.
- Check the status light and make sure the product is ready to scan.
- Make sure your cables are securely connected to the product and a working electrical outlet.
- Check that the electrical outlet is working. Plug another device into the electrical outlet and check that you can turn on the power.
- Turn off the scanner and computer, and then check the interface cable connection between them to make sure it is secure.
- Make sure you select the correct scanner if a scanner list appears when starting to scan.
- Connect the product directly to the computer’s external USB port or through one USB hub only. The product may not work properly when connected to the computer through more than one USB hub. If the problem persists, try connecting the product directly to the computer.
- If more than one product is connected to your computer it may not work. Connect only the product you want to use, and then try scanning again.
- If the scanning software does not work properly, uninstall the software first and then reinstall it as described in the paper manual.
- If the light source has reached the end of its service life, it must be replaced by a professional. For details, contact your dealer.

Related Information

➔ [“Uninstalling Your Applications” on page 60](#)
➔ [“Contacting Epson Support” on page 69](#)

Cannot Start Epson Scan 2

Make sure the scanner is connected to your computer properly.

- Check the USB cable connection.
 - Make sure the USB cable is securely connected to the scanner and the computer.
 - Use the USB cable that came with the scanner.
 - Connect the scanner directly to the computer's USB port. The scanner may not work properly when connected to the computer through one or more USB hubs.
- If you are using the scanner with the Network Interface Unit, make sure the network cable is securely connected.
- Make sure the scanner is turned on.
- Wait until the status light stops flashing indicating that the scanner is ready to scan.
- If you are using any TWAIN-compliant applications, make sure that the correct scanner is selected as the scanner or source setting.

Cannot Scan Using the Button

- Make sure the scanner is connected to your computer properly.
- Make sure Epson Scan 2 is installed correctly.

Cannot Scan Using the Transparency Unit

- Make sure the document mat is removed from the scanner cover.
- Make sure the optional Transparency Unit is installed correctly.
- Make sure you are using **Photo Mode** and set the **Document Type** correctly.
- Make sure the film is set correctly in the film holder, and the film holder is properly positioned on the scanner glass.
- Make sure the transportation lock on the Transparency Unit is released.

Related Information

- ➔ [“Installing the Transparency Unit” on page 40](#)
- ➔ [“Using the Transparency Unit to Scan” on page 48](#)
- ➔ [“Setting and Placing Films” on page 42](#)

Cannot Scan Using Scanning Software Other Than Epson Scan 2

- If you are using any TWAIN-compliant programs, make sure that the correct scanner is selected as the source setting.
- If you cannot scan using a TWAIN-compliant scanning program, uninstall the TWAIN-compliant scanning program and then reinstall it.

Scanned Image Problems

Uneven Colors, Dirt, Spots, and so on Appear when Scanning from the Scanner Glass

- Clean the scanner glass.
- Remove any trash or dirt that adheres to the original.
- Do not press with too much force on the original or the document cover. If you press with too much force, blurring, smudges, and spots may occur.

Related Information

➔ [“Cleaning the Scanner” on page 50](#)

The Image Quality is Rough

- Set the **Mode** in Epson Scan 2 according to the original you want to scan. Scan using the settings for documents in **Document Mode**, and the settings for photos in **Photo Mode**.
- In **Photo Mode** in Epson Scan 2, set the **Document Type** on the **Main Settings** tab according to the original you want to scan.
- If the resolution is low, try increasing the resolution and then scanning.
- In Epson Scan 2, adjust the image using items on the **Advanced Settings** tab, and then scan.

Related Information

➔ [“Setting a Resolution That Suits the Scanning Purpose” on page 25](#)

➔ [“Image Adjustment Features for Photo Mode” on page 27](#)

➔ [“Image Adjustment Features for Document Mode” on page 33](#)

Offset Appears in the Background of Images

Images on the back of the original may appear in the scanned image.

- In Epson Scan 2, select the **Advanced Settings** tab, and then adjust the **Brightness**.
This feature may not be available depending on the settings on the **Main Settings** tab > **Image Type** or other settings on the **Advanced Settings** tab.
- In **Document Mode** in Epson Scan 2, select the **Advanced Settings** tab, and then **Image Option** > **Text Enhancement**.
- When scanning from the scanner glass, place black paper or a desk pad over the original.

Related Information

➔ [“Image Adjustment Features for Photo Mode” on page 27](#)

➔ [“Image Adjustment Features for Document Mode” on page 33](#)

Text is Blurred

- ❑ In **Document Mode** in Epson Scan 2, select the **Advanced Settings** tab, and then **Image Option > Text Enhancement**.
- ❑ Select **Document Mode** as the **Mode** in Epson Scan 2. Scan using the settings for documents in **Document Mode**.
- ❑ In **Document Mode** in Epson Scan 2, when **Image Type** on the **Main Settings** tab is set to **Black & White**, adjust **Threshold** on the **Advanced Settings** tab. When you increase the **Threshold**, the black color area becomes larger.
- ❑ If the resolution is low, try increasing the resolution and then scanning.

Related Information

- ➔ [“Image Adjustment Features for Photo Mode” on page 27](#)
- ➔ [“Image Adjustment Features for Document Mode” on page 33](#)
- ➔ [“Setting a Resolution That Suits the Scanning Purpose” on page 25](#)

Moiré Patterns (Web-Like Shadows) Appear

If the original is a printed document, moiré patterns (web-like shadows) may appear in the scanned image.

- ❑ On the **Advanced Settings** tab in Epson Scan 2, set **Descreening**.



- ❑ Change the resolution, and then scan again.

Related Information

- ➔ [“Image Adjustment Features for Photo Mode” on page 27](#)
- ➔ [“Image Adjustment Features for Document Mode” on page 33](#)
- ➔ [“Setting a Resolution That Suits the Scanning Purpose” on page 25](#)

Cannot Scan the Correct Area on the Scanner Glass

- ❑ Make sure the original is placed correctly against the alignment marks.
- ❑ If the edge of the scanned image is missing, move the original slightly away from the edge of the scanner glass.
- ❑ When placing multiple originals on the scanner glass, make sure there is a gap of at least 20 mm (0.79 in.) between the originals.

Cannot Preview in Thumbnail

- When placing multiple originals on the scanner glass, make sure there is a gap of at least 20 mm (0.79 in.) between the originals.
- Check that the original is placed straight.
- Depending on the original, such as when scanning Medium format (120/120) film or 4×5 inch film, previewing may not be performed in **Thumbnail**. In this situation, clear the **Thumbnail** check box at the top of the preview window to preview the entire scanned area, and then create marquees manually.

Cannot Achieve the Results Intended in Auto Photo Orientation

- Small photos are not rotated automatically.
- Film that is placed with the top and bottom inversed is not rotated automatically.
- Photos and film for which the top and bottom cannot be detected are not rotated automatically. Rotate manually using the **Rotate** button.

Text is Not Recognized Correctly when Saving as a Searchable PDF

- On the **Image Format Options** window in Epson Scan 2, check that **Text Language** is set correctly on the **Text** tab.
- Check that the original is placed straight.
- Use an original with clear text. Text recognition may decline for the following types of originals.
 - Originals that have been copied a number of times
 - Originals received by fax (at low resolutions)
 - Originals on which the letter spacing or line spacing is too small
 - Originals with ruled lines or underlining over the text
 - Originals with hand-written text
 - Originals with creases or wrinkles
- In **Document Mode** in Epson Scan 2, when **Image Type** on the **Main Settings** tab is set to **Black & White**, adjust **Threshold** on the **Advanced Settings** tab. When you increase the **Threshold**, black becomes stronger.
- In **Document Mode** in Epson Scan 2, select the **Advanced Settings** tab, and then **Image Option > Text Enhancement**.

Related Information

- ➔ [“Saving as a Searchable PDF” on page 38](#)
- ➔ [“Image Adjustment Features for Photo Mode” on page 27](#)
- ➔ [“Image Adjustment Features for Document Mode” on page 33](#)

Binding Margins of a Booklet are Distorted or Blurred

When scanning a booklet on the scanner glass, characters may appear distorted or blurred on the binding margin. If this problem occurs, text is not recognized correctly when you save the scanned image as a **Searchable PDF**.

To decrease distortion or blurring on the binding margin, gently press down the document cover and hold it down while scanning to flatten the booklet. Make sure you do not move the booklet while scanning.



Important:

Do not press the document cover with too much force. Otherwise, the booklet or the scanner may be damaged.

Cannot Solve Problems in the Scanned Image

If you have tried all of the solutions and have not solved the problem, initialize the Epson Scan 2 settings using Epson Scan 2 Utility.

Note:

Epson Scan 2 Utility is an application that comes with Epson Scan 2.

1. Start Epson Scan 2 Utility.
 - Windows 11/Windows Server 2022
Click the start button, and then select **All apps > EPSON > Epson Scan 2 Utility**.
 - Windows 10/Windows Server 2019/Windows Server 2016
Click the start button, and then select **EPSON > Epson Scan 2 Utility**.
 - Windows 8.1/Windows 8/Windows Server 2012 R2/Windows Server 2012
Enter the application name in the search charm, and then select the displayed icon.
 - Windows 7/Windows Server 2008/Windows Server 2008 R2
Click the start button, and then select **All Programs or Programs > EPSON > Epson Scan 2 > Epson Scan 2 Utility**.
 - Mac OS
Select **Go > Applications > Epson Software > Epson Scan 2 Utility**.
2. Select the **Other** tab.
3. Click **Reset**.

Note:

If initialization does not solve the problem, uninstall and re-install Epson Scan 2.

Striped Rings Appear in Scanned Images of Film or Slides

A ring-shaped pattern of stripes (called a Newton ring) sometimes appears on scanned images of transparent materials. This may occur if the film is curled.


Colors Differ From the Original Colors for Film or Slide Images

Clean the scanner.

Related Information

➔ [“Cleaning the Scanner” on page 50](#)

Negative Film Preview Images Look Strange

- Make sure the **Document Type** is set correctly for your film.
- If **Thumbnail** is disabled in **Preview Mode**, the dark area around the film and the frame of the film holder is perceived as white. This alters the exposure and causes images to appear darker. Create marquee on the image area you want to scan, and then click the  (**Zoom**) button to preview the area.
- For **Preview Mode**, select **Thumbnail** checkbox at the top of the preview window.

Problems With Scanning Time

- Computers with Hi-Speed external USB ports can scan faster than those with external USB ports. If you are using a Hi-Speed external USB port with your product, make sure it meets the system requirements.
- Scanning at a high resolution takes a long time.
- When using security software, exclude the TWAIN.log file from monitoring, or set the TWAIN.log as a read-only file. For more information on your security software's functions, see the help and so on supplied with the software.

The TWAIN.log file is saved in the following locations.

C:\Users\user name\AppData\Local\Temp

Uninstalling and Installing Applications

Uninstalling Your Applications

You may need to uninstall and then reinstall your applications to solve certain problems or if you upgrade your operating system. Log on to your computer as an administrator. Enter the administrator password if the computer prompts you.

Uninstalling Your Applications for Windows

1. Quit all running applications.
2. Disconnect the scanner from your computer.
3. Open the Control Panel:
 - Windows 11/Windows Server 2022
Click on the start button, and then select **All apps > Windows Tools > Control Panel**.
 - Windows 10/Windows Server 2019/Windows Server 2016
Click on the start button, and then select **Windows System > Control Panel**.
 - Windows 8.1/Windows 8/Windows Server 2012 R2/Windows Server 2012
Select **Desktop > Settings > Control Panel**.

- ❑ Windows 7/Windows Server 2008/Windows Server 2008 R2

Click the start button and select **Control Panel**.

4. Select **Uninstall a program** from **Programs**, and then open **Uninstall a program** (or **Add or Remove Programs**).
5. Select the application you want to uninstall.
6. Uninstall the applications by clicking **Uninstall/Change** or **Uninstall**.

Note:

If the User Account Control window is displayed, click Continue.

7. Follow the on-screen instructions.

Note:

*A message may be displayed prompting you to restart your computer. If it is displayed, make sure **I want to restart my computer now** is selected, and then click **Finish**.*

Uninstalling Your Applications for Mac OS

Note:

Make sure you installed EPSON Software Updater.

1. Download the Uninstaller using EPSON Software Updater.
Once you have downloaded the Uninstaller, you do not need to download it again each time you uninstall the application.
2. Disconnect the scanner from your computer.
3. To uninstall the scanner driver, select **System Preferences** from the Apple menu > **Printers & Scanners** (or **Print & Scan, Print & Fax**), and then remove the scanner from the enabled scanner list.
4. Quit all running applications.
5. Select **Go > Applications > Epson Software > Uninstaller**.
6. Select the application you want to uninstall, and then click Uninstall.



Important:

The Uninstaller removes all drivers for Epson scanners on the computer. If you use multiple Epson scanners and you only want to delete some of the drivers, delete all of them first, and then install the necessary scanner drivers again.

Note:

*If you cannot find the application you want to uninstall in the application list, you cannot uninstall using the Uninstaller. In this situation, select **Go > Applications > Epson Software**, select the application you want to uninstall, and then drag it to the trash icon.*

Installing Your Applications

Follow the steps below to install the necessary applications.

Note:

- ❑ Log on to your computer as an administrator. Enter the administrator password if the computer prompts you.
- ❑ When reinstalling applications, you need to uninstall them first.

1. Quit all running applications.
2. When installing scanner driver (Epson Scan 2), disconnect the scanner and the computer temporarily.

Note:

Do not connect the scanner and the computer until you are instructed to do so.

3. Install the application by following the instructions on the Website below.

<https://epson.sn>

Technical Specifications

General Scanner Specifications

Note:

Specifications are subject to change without notice.

Scanner type	Flatbed A3 Color Image Scanner
Photoelectric device	Color CCD line sensor
Document Size	310×437 mm (12.2×17.2 inches)
Scanning resolution	2400 dpi (main scan) 4800 dpi with Micro Step (sub scan)
Output resolution	50 to 6400 dpi
Image data	16 bits per pixel per color internal 1 to 16 bits per pixel per color external
Interface	One Hi-speed USB port
Light source	LED Lamp

Note:

Optional optical resolution is the maximum scan resolution of the CCD elements, according to the ISO 14473 definitions. ISO 14473 defines optical resolution as the fundamental sampling rate of the scan sensor.

Dimensional Specifications

Dimensions *	Width: 656.0 mm (25.8 inches) Depth: 458.0 mm (18.4 inches) Height: 158.0 mm (6.2 inches)
Weight	Approx. 14.3 kg (31.5 lb)

* Without protruding parts.

Electrical Specifications

Rated input voltage	AC 100 - 240 V
Rated input current	0.8 - 0.4 A
Rated input frequency	50 - 60 Hz

Power consumption	<p>Operating:</p> <ul style="list-style-type: none"> <input type="checkbox"/> Approx. 20 W or below (without the optional Transparency Unit) <input type="checkbox"/> Approx. 27 W or below (with the optional Transparency Unit) <p>Ready mode:</p> <ul style="list-style-type: none"> <input type="checkbox"/> Approx. 6 W or below (without the optional Transparency Unit) <input type="checkbox"/> Approx. 12 W (with the optional Transparency Unit) <p>Sleep mode:</p> <ul style="list-style-type: none"> <input type="checkbox"/> 1.0 W or below (without the optional Transparency Unit) <input type="checkbox"/> After approx 14 minutes from no operation <p>Power supply OFF:</p> <ul style="list-style-type: none"> <input type="checkbox"/> 0.2 W or below
-------------------	---

Note:

For European users, see the following Website for details on power consumption.

<http://www.epson.eu/energy-consumption>

Environmental Specifications

Temperature	Operating	5 to 35 °C (41 to 95 °F)
	Storage	-25 to 60 °C (-13 to 140 °F)
Humidity	Operating	10 to 80% (without condensation)
	Storage	10 to 85% (without condensation)
Operating conditions		Ordinary office or home conditions. Avoid operating the scanner in direct sunlight, near a strong light source, or in extremely dusty conditions.

Interface Specifications

USB Interface

Interface type	Hi-Speed USB
Electrical standard	Full Speed mode (12 Mbits per second) and Hi-Speed mode (480 Mbits per second) of Universal Serial Bus Specification Revision 2.0.
Connector type	One Type B port

System Requirements

Supported operating systems may vary depending on the application.

Windows	Windows 11 or later Windows 10 Windows 8/8.1 Windows 7 Windows Server 2008 or later
Mac OS*1 *2	Mac OS X 10.9 or later, macOS 11 or later

*1 Fast User Switching on Mac OS or later is not supported.

*2 The UNIX File System (UFS) for Mac OS is not supported.

Standards and Approvals

Standards and Approvals for U.S. Model

Safety	UL62368-1 CAN/CSA-C22.2 No. 62368-1
EMC	FCC Part 15 Subpart B Class B ICES-003 Class B

Standards and Approvals for European Model

The following model is CE marked and in compliance with all the applicable EU Directives. For further details, visit the following website to access the full declaration of conformities containing reference to the Directives and harmonized standards used to declare conformity.

<http://www.epson.eu/conformity>

J332A

Standards and Approvals for Australian Model

EMC	AS/NZS CISPR32 Class B
-----	------------------------

ZICTA Type Approval for Users in Zambia

See the following website to check the information for ZICTA Type Approval.

<https://support.epson.net/zicta/>

OPEN SOURCE SOFTWARE LICENSE

- 1) This product includes open source software programs according to the license terms of each open source software program.
- 2) The open source software programs are WITHOUT ANY WARRANTY; without even the implied warranty of MERCHANTABILITY AND FITNESS FOR A PARTICULAR PURPOSE.

See the license agreements of each open source software program for more details, which are described below.

SHA1 license

Copyright (C) The Internet Society (2001). All Rights Reserved.

This document and translations of it may be copied and furnished to others, and derivative works that comment on or otherwise explain it or assist in its implementation may be prepared, copied, published and distributed, in whole or in part, without restriction of any kind, provided that the above copyright notice and this paragraph are included on all such copies and derivative works.

However, this document itself may not be modified in any way, such as by removing the copyright notice or references to the Internet Society or other Internet organizations, except as needed for the purpose of developing Internet standards in which case the procedures for copyrights defined in the Internet Standards process must be followed, or as required to translate it into languages other than English.

The limited permissions granted above are perpetual and will not be revoked by the Internet Society or its successors or assigns.

This document and the information contained herein is provided on an "AS IS" basis and THE INTERNET SOCIETY AND THE INTERNET ENGINEERING TASK FORCE DISCLAIMS ALL WARRANTIES, EXPRESS OR IMPLIED, INCLUDING BUT NOT LIMITED TO ANY WARRANTY THAT THE USE OF THE INFORMATION HEREIN WILL NOT INFRINGE ANY RIGHTS OR ANY IMPLIED WARRANTIES OF MERCHANTABILITY OR FITNESS FOR A PARTICULAR PURPOSE.

Info-ZIP license

This is version 2007-Mar-4 of the Info-ZIP license.

The definitive version of this document should be available at <ftp://ftp.info-zip.org/pub/infozip/license.html> indefinitely and a copy at <http://www.info-zip.org/pub/infozip/license.html>.

Copyright © 1990-2007 Info-ZIP. All rights reserved.

For the purposes of this copyright and license, "Info-ZIP" is defined as the following set of individuals:

Mark Adler, John Bush, Karl Davis, Harald Denker, Jean-Michel Dubois, Jean-loup Gailly, Hunter Goatley, Ed Gordon, Ian Gorman, Chris Herborth, Dirk Haase, Greg Hartwig, Robert Heath, Jonathan Hudson, Paul Kienitz, David Kirschbaum, Johnny Lee, Onno van der Linden, Igor Mandrichenko, Steve P. Miller, Sergio Monesi, Keith Owens, George Petrov, Greg Roelofs, Kai Uwe Rommel, Steve Salisbury, Dave Smith, Steven M. Schweda, Christian Spieler, Cosmin Truta, Antoine Verheijen, Paul von Behren, Rich Wales, Mike White.

This software is provided "as is," without warranty of any kind, express or implied.

In no event shall Info-ZIP or its contributors be held liable for any direct, indirect, incidental, special or consequential damages arising out of the use of or inability to use this software.

Permission is granted to anyone to use this software for any purpose, including commercial applications, and to alter it and redistribute it freely, subject to the above disclaimer and the following restrictions:

1. Redistributions of source code (in whole or in part) must retain the above copyright notice, definition, disclaimer, and this list of conditions.
2. Redistributions in binary form (compiled executables and libraries) must reproduce the above copyright notice, definition, disclaimer, and this list of conditions in documentation and/or other materials provided with the distribution.

The sole exception to this condition is redistribution of a standard UnZipSFX binary (including SFXWiz) as part of a self-extracting archive; that is permitted without inclusion of this license, as long as the normal SFX banner has not been removed from the binary or disabled.

3. Altered versions--including, but not limited to, ports to new operating systems, existing ports with new graphical interfaces, versions with modified or added functionality, and dynamic, shared, or static library versions

not from Info-ZIP--must be plainly marked as such and must not be misrepresented as being the original source or, if binaries, compiled from the original source.

Such altered versions also must not be misrepresented as being Info-ZIP releases--including, but not limited to, labeling of the altered versions with the names "Info-ZIP" (or any variation thereof, including, but not limited to, different capitalizations), "Pocket UnZip," "WiZ" or "MacZip" without the explicit permission of Info-ZIP.

Such altered versions are further prohibited from misrepresentative use of the Zip-Bugs or Info-ZIP e-mail addresses or the Info-ZIP URL(s), such as to imply Info-ZIP will provide support for the altered versions.

4. Info-ZIP retains the right to use the names "Info-ZIP," "Zip," "UnZip," "UnZipSFX," "WiZ," "Pocket UnZip," "Pocket Zip," and "MacZip" for its own source and binary releases.

lua license

Copyright (C) 1994-2013 Lua.org, PUC-Rio.

Permission is hereby granted, free of charge, to any person obtaining a copy of this software and associated documentation files (the "Software"), to deal in the Software without restriction, including without limitation the rights to use, copy, modify, merge, publish, distribute, sublicense, and/or sell copies of the Software, and to permit persons to whom the Software is furnished to do so, subject to the following conditions:

The above copyright notice and this permission notice shall be included in all copies or substantial portions of the Software.

THE SOFTWARE IS PROVIDED "AS IS", WITHOUT WARRANTY OF ANY KIND, EXPRESS OR IMPLIED, INCLUDING BUT NOT LIMITED TO THE WARRANTIES OF MERCHANTABILITY, FITNESS FOR A PARTICULAR PURPOSE AND NONINFRINGEMENT.

IN NO EVENT SHALL THE AUTHORS OR COPYRIGHT HOLDERS BE LIABLE FOR ANY CLAIM, DAMAGES OR OTHER LIABILITY, WHETHER IN AN ACTION OF CONTRACT, TORT OR OTHERWISE, ARISING FROM, OUT OF OR IN CONNECTION WITH THE SOFTWARE OR THE USE OR OTHER DEALINGS IN THE SOFTWARE.

Where to Get Help

Technical Support Web Site

If you need further help, visit the Epson support website shown below. Select your country or region and go to the support section of your local Epson website. The latest drivers, FAQs, manuals, or other downloadables are also available from the site.

<http://support.epson.net/>

<http://www.epson.eu/support> (Europe)

If your Epson product is not operating properly and you cannot solve the problem, contact Epson support services for assistance.

Contacting Epson Support

Before Contacting Epson

If your Epson product is not operating properly and you cannot solve the problem using the troubleshooting information in your product manuals, contact Epson support services for assistance. If Epson support for your area is not listed below, contact the dealer where you purchased your product.

Epson support will be able to help you much more quickly if you give them the following information:

- Product serial number
(The serial number label is usually on the back of the product.)
- Product model
- Product software version
(Click **About**, **Version Info**, or a similar button in the product software.)
- Brand and model of your computer
- Your computer operating system name and version
- Names and versions of the software applications you normally use with your product

Note:

Depending on the product, the dial list data for fax and/or network settings may be stored in the product's memory. Due to breakdown or repair of a product, data and/or settings may be lost. Epson shall not be responsible for the loss of any data, for backing up or recovering data and/or settings even during a warranty period. We recommend that you make your own backup data or take notes.

Help for Users in Europe

Check your Pan-European Warranty Document for information on how to contact Epson support.

Help for Users in Taiwan

Contacts for information, support, and services are:

World Wide Web

<http://www.epson.com.tw>

Information on product specifications, drivers for download, and products enquiry are available.

Epson HelpDesk

Phone: +886-2-2165-3138

Our HelpDesk team can help you with the following over the phone:

- Sales enquiries and product information
- Product usage questions or problems
- Enquiries on repair service and warranty

Repair service center:

<http://www.tekcare.com.tw/branchMap.page>

TekCare corporation is an authorized service center for Epson Taiwan Technology & Trading Ltd.

Help for Users in Australia

Epson Australia wishes to provide you with a high level of customer service. In addition to your product manuals, we provide the following sources for obtaining information:

Internet URL

<http://www.epson.com.au>

Access the Epson Australia World Wide Web pages. Worth taking your modem here for the occasional surf! The site provides a download area for drivers, Epson contact points, new product information and technical support (e-mail).

Epson Helpdesk

Phone: 1300-361-054

Epson Helpdesk is provided as a final backup to make sure our clients have access to advice. Operators on the Helpdesk can aid you in installing, configuring and operating your Epson product. Our Pre-sales Helpdesk staff can provide literature on new Epson products and advise where the nearest dealer or service agent is located. Many types of queries are answered here.

We encourage you to have all the relevant information on hand when you ring. The more information you prepare, the faster we can help solve the problem. This information includes your Epson product manuals, type of computer, operating system, application programs, and any information you feel is required.

Transportation of Product

Epson recommends retaining product packaging for future transportation.

Help for Users in Singapore

Sources of information, support, and services available from Epson Singapore are:

World Wide Web

<http://www.epson.com.sg>

Information on product specifications, drivers for download, Frequently Asked Questions (FAQ), Sales Enquiries, and Technical Support via e-mail are available.

Epson HelpDesk

Toll Free: 800-120-5564

Our HelpDesk team can help you with the following over the phone:

- Sales enquiries and product information
- Product usage questions or problem troubleshooting
- Enquiries on repair service and warranty

Help for Users in Thailand

Contacts for information, support, and services are:

World Wide Web

<http://www.epson.co.th>

Information on product specifications, drivers for download, Frequently Asked Questions (FAQ), and e-mail are available.

Epson Call Centre

Phone: 66-2460-9699

Email: support@eth.epson.co.th

Our Call Centre team can help you with the following over the phone:

- Sales enquiries and product information
- Product usage questions or problems
- Enquiries on repair service and warranty

Help for Users in Vietnam

Contacts for information, support, and services are:

Epson Service Center

27 Yen Lang, Trung Liet Ward, Dong Da District, Ha Noi City. Tel: +84 24 7300 0911

38 Le Dinh Ly, Thac Gian Ward, Thanh Khe District, Da Nang. Tel: +84 23 6356 2666

194/3 Nguyen Trong Tuyen, Ward 8, Phu Nhuan Dist., HCMC. Tel: +84 28 7300 0911

31 Phan Boi Chau, Ward 14, Binh Thanh District, HCMC. Tel: +84 28 35100818

Help for Users in Indonesia

Contacts for information, support, and services are:

World Wide Web

<http://www.epson.co.id>

- Information on product specifications, drivers for download
- Frequently Asked Questions (FAQ), Sales Enquiries, questions through e-mail

Epson Hotline

Phone: 1500-766 (Indonesia Only)

Email: customer.care@ein.epson.co.id

Our Hotline team can help you with the following over the phone or email:

- Sales enquiries and product information
- Technical support

Help for Users in Hong Kong

To obtain technical support as well as other after-sales services, users are welcome to contact Epson Hong Kong Limited.

Internet Home Page

<http://www.epson.com.hk>

Epson Hong Kong has established a local home page in both Chinese and English on the Internet to provide users with the following information:

- Product information
- Answers to Frequently Asked Questions (FAQs)
- Latest versions of Epson product drivers

Technical Support Hotline

You can also contact our technical staff at the following telephone and fax numbers:

Phone: 852-2827-8911

Fax: 852-2827-4383

Help for Users in Malaysia

Contacts for information, support, and services are:

World Wide Web

<http://www.epson.com.my>

- Information on product specifications, drivers for download
- Frequently Asked Questions (FAQ), Sales Enquiries, questions through e-mail

Epson Call Centre

Phone: 1800-81-7349 (Toll Free)

Email: websupport@emsb.epson.com.my

- Sales enquiries and product information
- Product usage questions or problems
- Enquiries on repair services and warranty

Epson Malaysia Sdn Bhd (Head Office)

Phone: 603-56288288

Fax: 603-5628 8388/603-5621 2088

Help for Users in India

Contacts for information, support, and services are:

World Wide Web

<http://www.epson.co.in>

Information on product specifications, drivers for download, and products enquiry are available.

Toll Free Helpline

For Service, Product information or to order consumables -

18004250011 / 186030001600 / 1800123001600 (9AM – 6PM)

Email

calllog@epson-india.in

WhatsApp

+91 96400 00333

Help for Users in the Philippines

To obtain technical support as well as other after sales services, users are welcome to contact the Epson Philippines Corporation at the telephone, fax numbers and e-mail address below:

World Wide Web

<http://www.epson.com.ph>

Information on product specifications, drivers for download, Frequently Asked Questions (FAQ), and E-mail Enquiries are available.

Epson Philippines Customer Care

Toll Free: (PLDT) 1-800-1069-37766

Toll Free: (Digitel) 1-800-3-0037766

Metro Manila: +632-8441-9030

Web Site: <https://www.epson.com.ph/contact>

E-mail: customercare@epc.epson.com.ph

Accessible 9am to 6pm, Monday through Saturday (Except public holidays)

Our Customer Care team can help you with the following over the phone:

- Sales enquiries and product information
- Product usage questions or problems
- Enquiries on repair service and warranty

Epson Philippines Corporation

Trunk Line: +632-8706-2609

Fax: +632-8706-2663 / +632-8706-2665