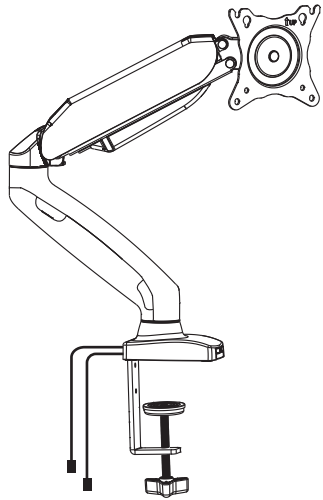


# AOC

## AS110DX AS110DX/86 Ergonomic Monitor Arm

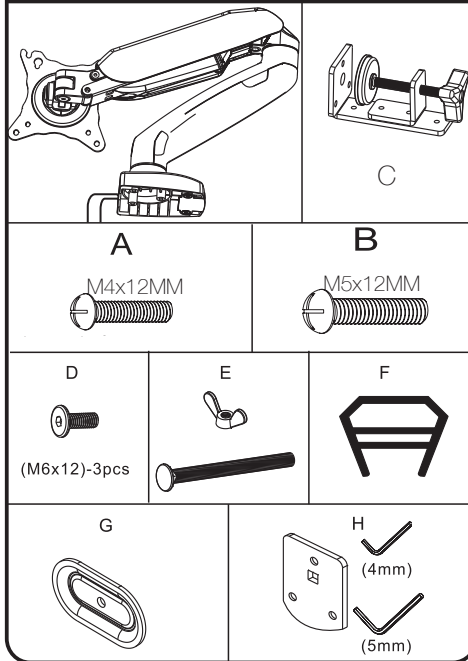


Monitor Size: 13"~32"  
Weight Capacity: 2~9 kg  
VESA Size: 75x75 mm, 100x100 mm

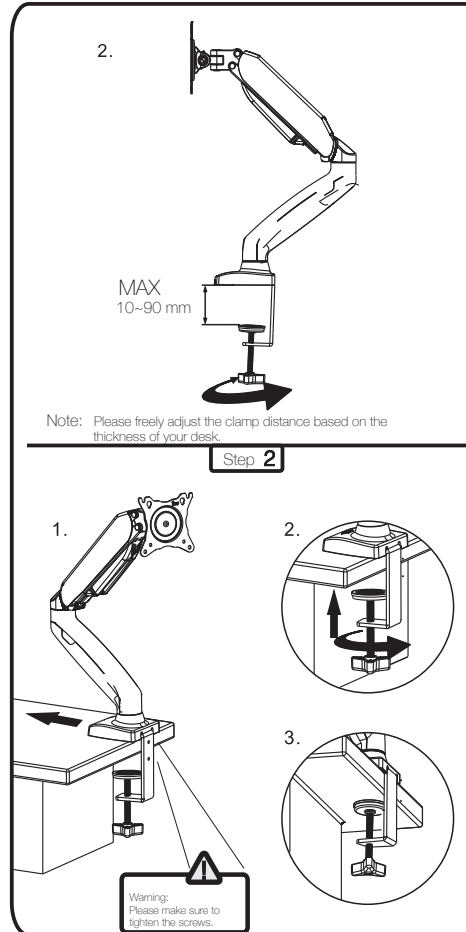
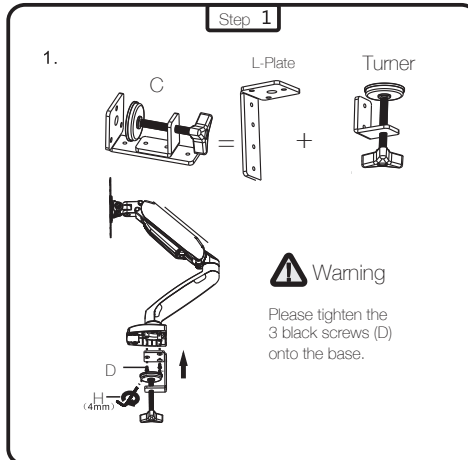
### User Manual

- A. Clamp-Mounting
- B. Hole-Mounting
- C. Cable-Management
- D. VESA Mount Installation
- E. Monitor Angle Adjustment

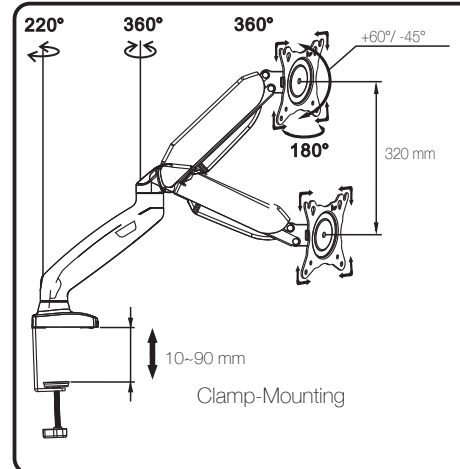
#### Packaging List



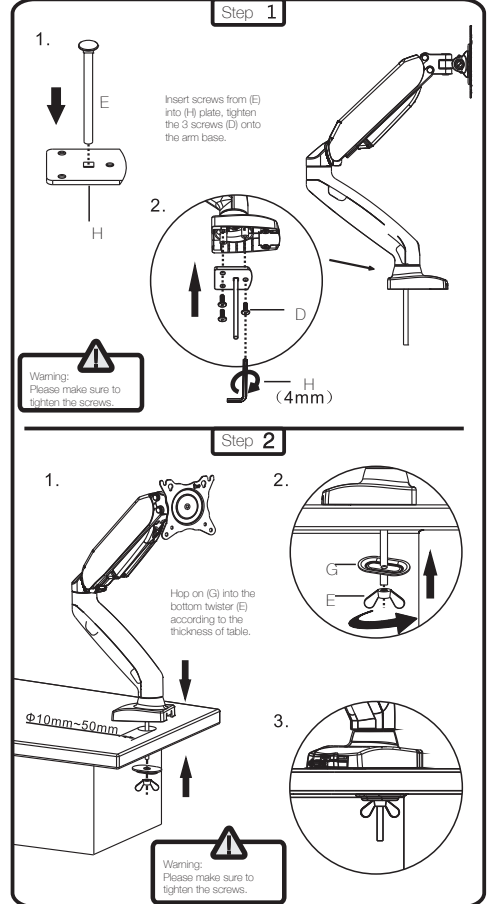
#### A. Clamp-Mounting Procedures



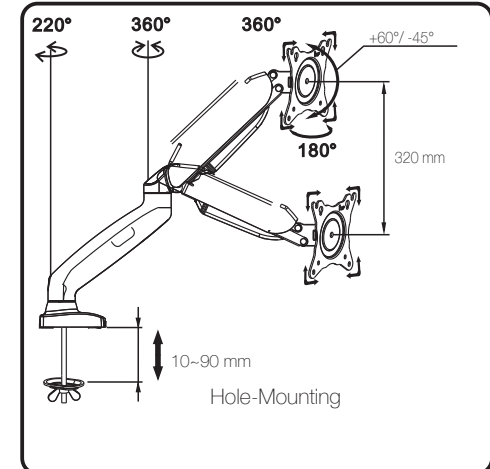
#### Diagram of full-assembled monitor arm specs in depth



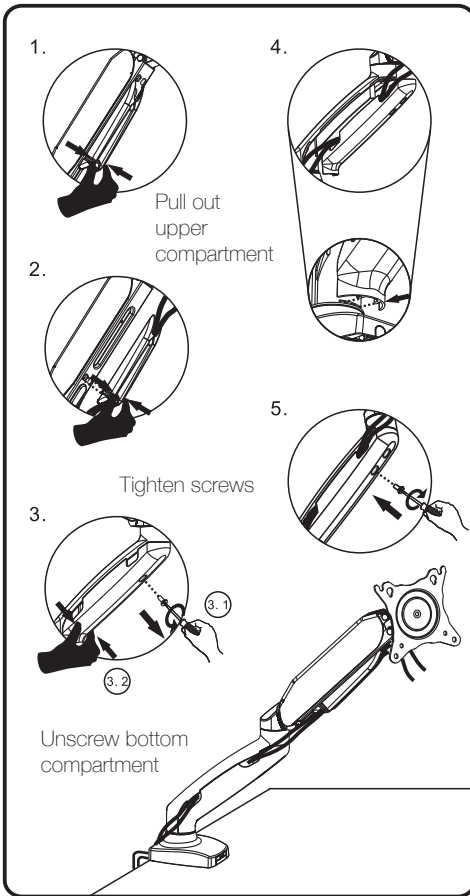
#### B. Hole-Mounting Procedure



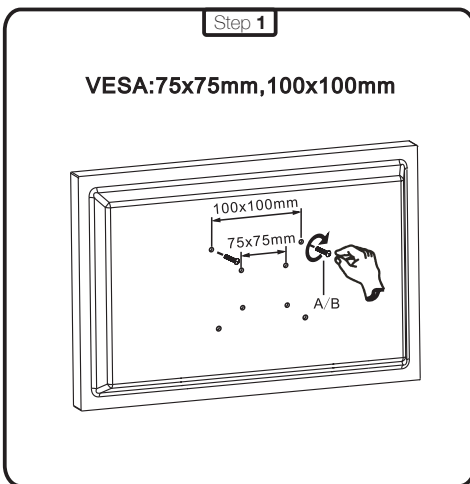
#### Diagram of full-assembled monitor arm specs in depth



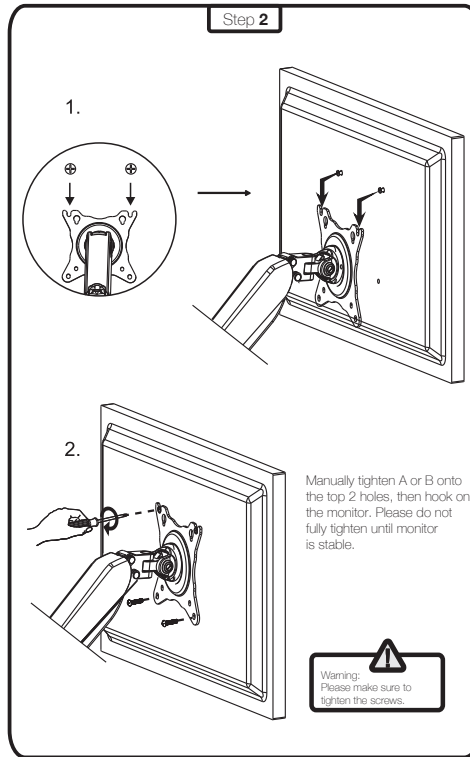
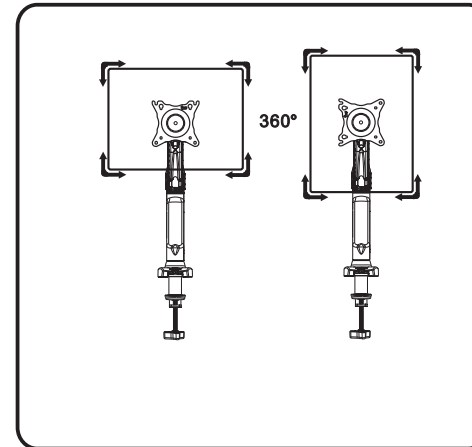
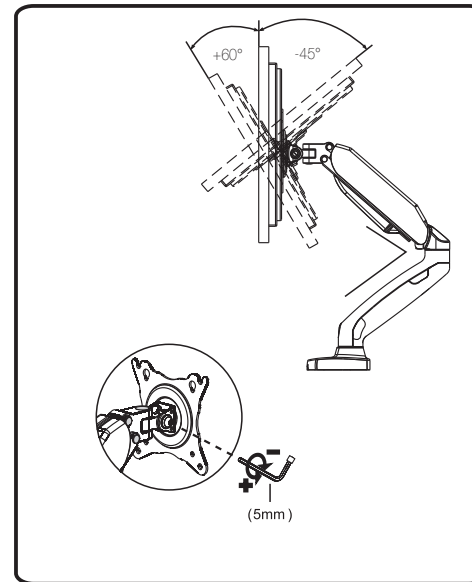
### C. Cable Management



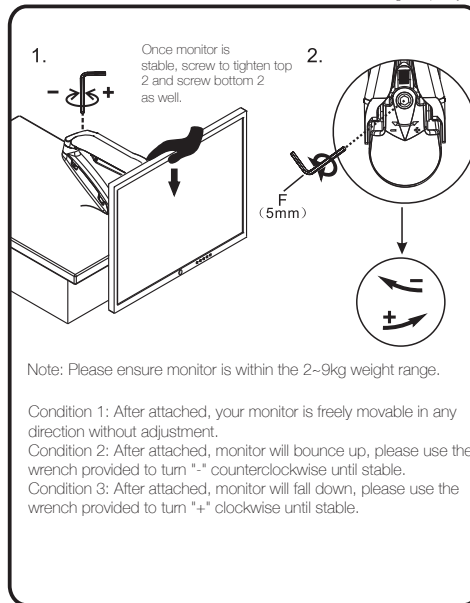
### D. VESA Mount Installation



### E. Adjust Monitor Angles



### Monitor Weight Adjustment



AFTER INSTALLATION, ADJUST GAS-SPRING POWER



1. Ensure monitor is tightened to monitor arm
2. Ensure monitor is not over-weight (2-9kg)

Weight Adjustment



Reduce Arm Weight Capacity

Increase Arm Weight Capacity

### Warning



Envision Peripherals Inc.  
490 North McCarthy Blvd. Suite #120 Milpitas, CA 95035

AOC International (Europe) B.V.  
Prins Bernhardplein 200, 1097 JB Amsterdam, The Netherlands

www.aoc.com

Made in China

### Q&A

- 1) Why monitor arm is hard to press down?  
It is normal to feel pressure while pressing down without a monitor. Once the monitor is mounted, the weight of itself helps to reduce the air-pressure, then the arm will be easy to press down.
- 2) Why my monitor cannot move lower or higher freely?  
Please adjust the "+" or "-" for best experience. Please do check your monitor weight, if > 9kg, arm will not hold.
- 3) Why my Type-C does not charge?  
Each Type-C cable has different materials and please reverse the cable to try again.