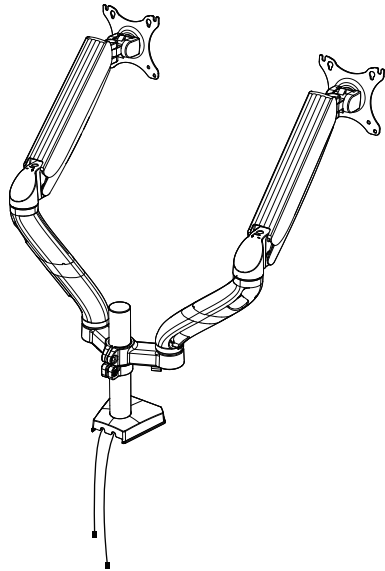


# AOC

AD110DX

AD110DX/86

Ergonomic Monitor Arm

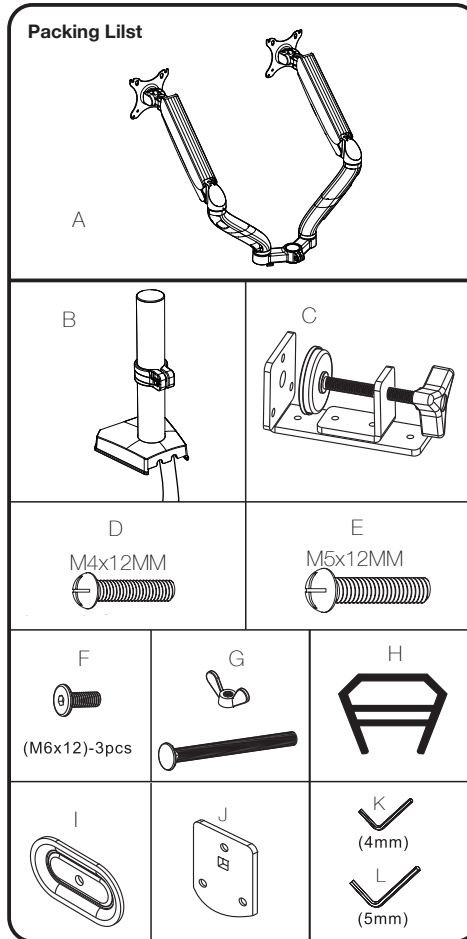


Monitor Size: 13"~32" Weight Capacity: 2~9 kg  
VESA Size: 75x75 mm, 100x100 mm

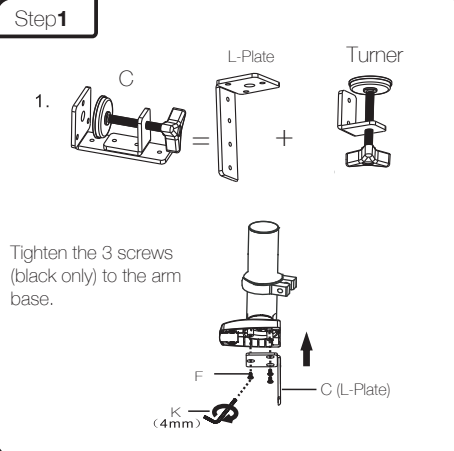
### User Manual

- A. Clamp-Mounting
- B. Hole-Mounting
- C. Cable-Management
- D. VESA Mount Installation
- E. Monitor Angle Adjustment

### Packing List

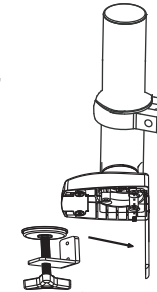


### A. Clamp-Mounting Procedure

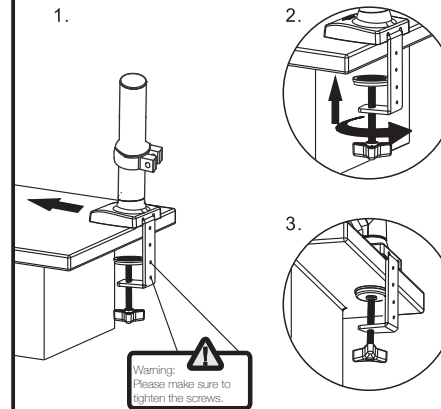


2.

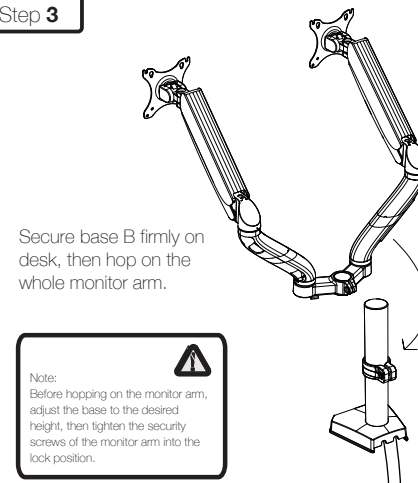
Once L-Shape is secured, hook it on the base-tuner.



### Step 2

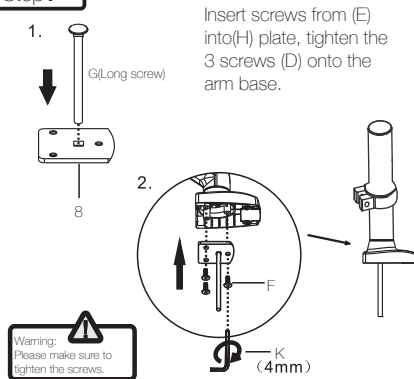


### Step 3

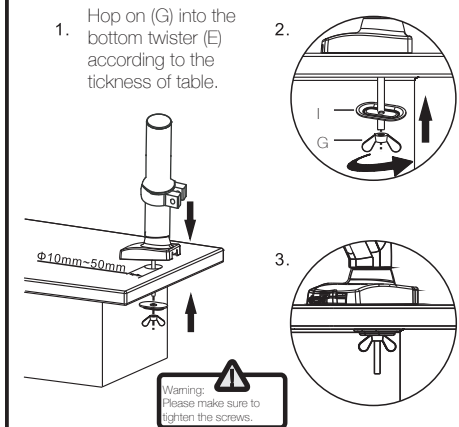


### B. Hole-Mounting Procedure

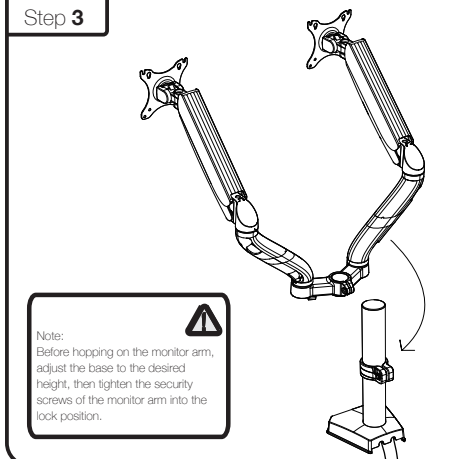
#### Step 1



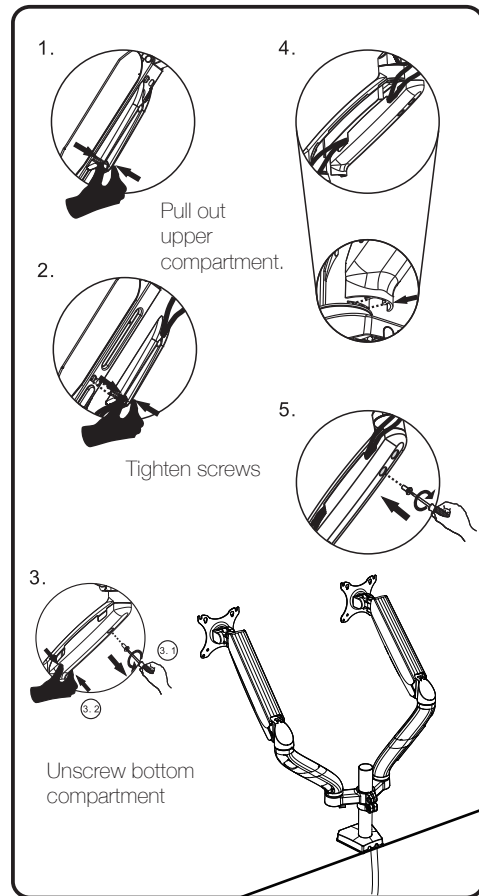
#### Step 2



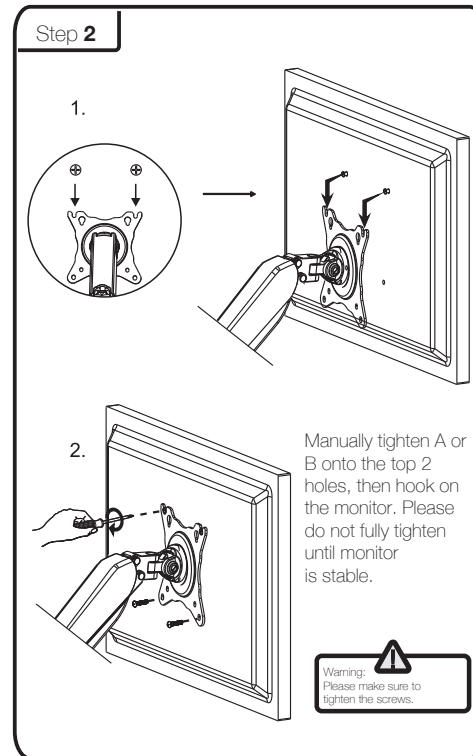
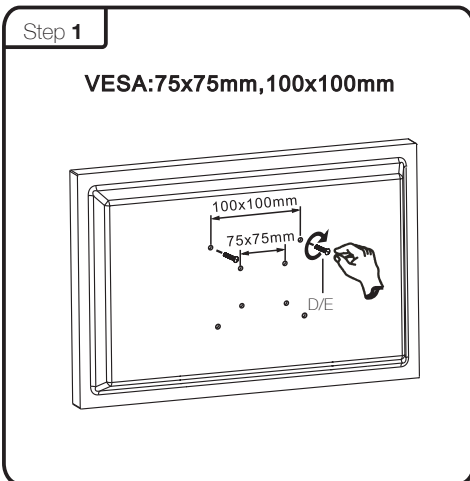
#### Step 3



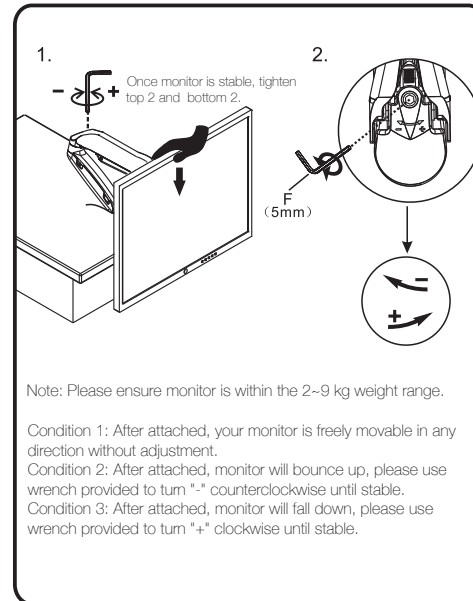
### C. Cable Management



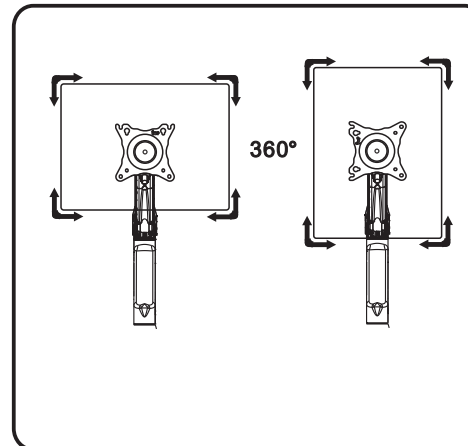
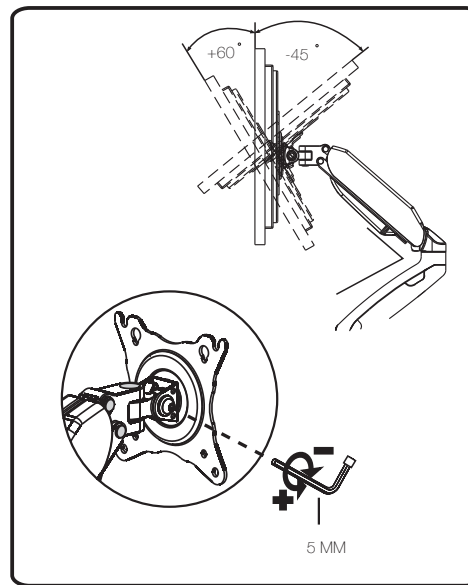
### D. VESA Mount Installation



### Monitor Weight Adjustment



### E. Adjust Monitor Angles



Envision Peripherals Inc.  
490 North McCarthy Blvd. Suite #120 Milpitas, CA  
95035

AOC International (Europe) B.V.  
Prins Bernhardplein 200, 1097 JB Amsterdam, The  
Netherlands

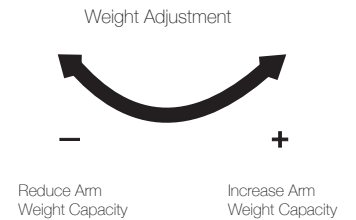
www.aoc.com

Made in China

AFTER INSTALLATION, ADJUST  
GAS-SPRING POWER



1. Ensure monitor is tightened to monitor arm
2. Ensure monitor is not over-weight (2-9kg)



### Warning



### Q&A

- 1) Why monitor arm is hard to press down?  
It is normal to feel pressure while pressing down without a monitor. Once the monitor is mounted, the weight of itself helps to reduce the air-pressure, then the arm will be easy to press down.
- 2) Why my monitor cannot move lower or higher freely?  
Please adjust the "+" or "-" for best experience. Please do check your monitor weight, if > 9kg, arm will not hold.
- 3) Why my Type-C does not charge?  
Each Type-C cable has different materials and please reverse the cable to try again.