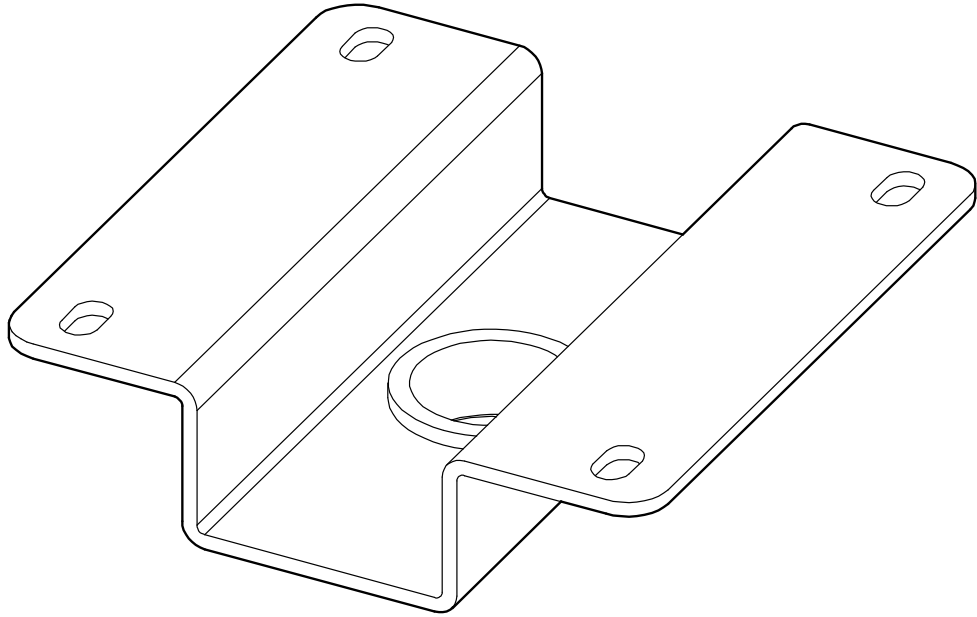


---

# INSTALLATION INSTRUCTIONS

---



---

**8" Off-Set Ceiling Plate**

---

## DISCLAIMER

Milestone AV Technologies and its affiliated corporations and subsidiaries (collectively "Milestone"), intend to make this manual accurate and complete. However, Milestone makes no claim that the information contained herein covers all details, conditions or variations, nor does it provide for every possible contingency in connection with the installation or use of this product. The information contained in this document is subject to change without notice or obligation of any kind. Milestone makes no representation of warranty, expressed or implied, regarding the information contained herein. Milestone assumes no responsibility for accuracy, completeness or sufficiency of the information contained in this document.

Chief® is a registered trademark of Milestone AV Technologies. All rights reserved.

## DEFINITIONS

**WARNING:** A WARNING alerts you to the possibility of serious injury or death if you do not follow the instructions.

**CAUTION:** A CAUTION alerts you to the possibility of damage or destruction of equipment if you do not follow the corresponding instructions.

**MOUNTING SYSTEM:** A MOUNTING SYSTEM is the primary product designed by Chief® to mount the projector or display.

**ACCESSORY:** An ACCESSORY is any product designed by Chief® to complement the primary mounting system either by mounting any supporting components or enhancing the mounting capabilities of the primary mounting system.

**COMPONENT:** A COMPONENT is any secondary product to be mounted to an accessory, i.e. speakers, CPU's, cameras, tablets, additional displays.



## IMPORTANT SAFETY INSTRUCTIONS



**WARNING:** Failure to read, thoroughly understand, and follow all instructions can result in serious personal injury, damage to equipment, or voiding of factory warranty! It is the installer's responsibility to make sure all mounting systems/accessories are properly assembled and installed using the instructions provided.



**WARNING:** Failure to provide adequate structural strength for this accessory can result in serious personal injury or damage to equipment! It is the installer's responsibility to make sure the structure to which this accessory is attached can support five times the combined weight of all equipment. Reinforce the structure as required before installing the accessory.



**WARNING:** Exceeding the weight capacity can result in serious personal injury or damage to equipment! It is the installer's responsibility to make sure the combined weight of all components located within the mounting system of the CMA330 does not exceed 500 lbs (226.8 kg).

- The weight capacity of the CMA330 may be LIMITED to the lowest weight capacity of any other mounting system or accessory located between the ceiling plate and the projector/display.



**WARNING:** Use this accessory only for its intended use as described in these instructions. Do not use attachments not recommended by the manufacturer.



**WARNING:** Never operate this accessory if it is damaged. Return the accessory to a service center for examination and repair.



**WARNING:** Do not use this product outdoors.

**IMPORTANT ! :** These CMA mounts are designed to be:

- mounted to a 2" x 6" wood framework ceiling;
- mounted to a concrete ceiling with a minimum thickness of 8" and a maximum drywall covering of 5/8"; or
- mounted to a suspended metal framing channel ceiling.





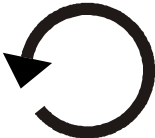






**WARNING:** Do NOT attach to vertical mounting surfaces such as walls or angled ceilings!

**NOTE:** The CMA330 may be used with the UL Listed CMS Extension Column series, CPA Extension Column series; LCM2X2U, LCM2X2UP, LCM3X2U, LCM3X2UP and LCM3X3U ceiling mounted video walls; and the UL Listed LCM1U, LCM1UP, LCM2X1U, LCM2X1UP, LCM3X1U, LCM3X1UP, LCM5X1U, MCM1U, XCM1U, XCM7000, LCB1U, LCB1UP, LCB1X2U, LCB2X1U, LCB2X1UP, MCB1U, MCB1X2U, XCB1U, XCB7000, FCA3U and FCA4U (not included).

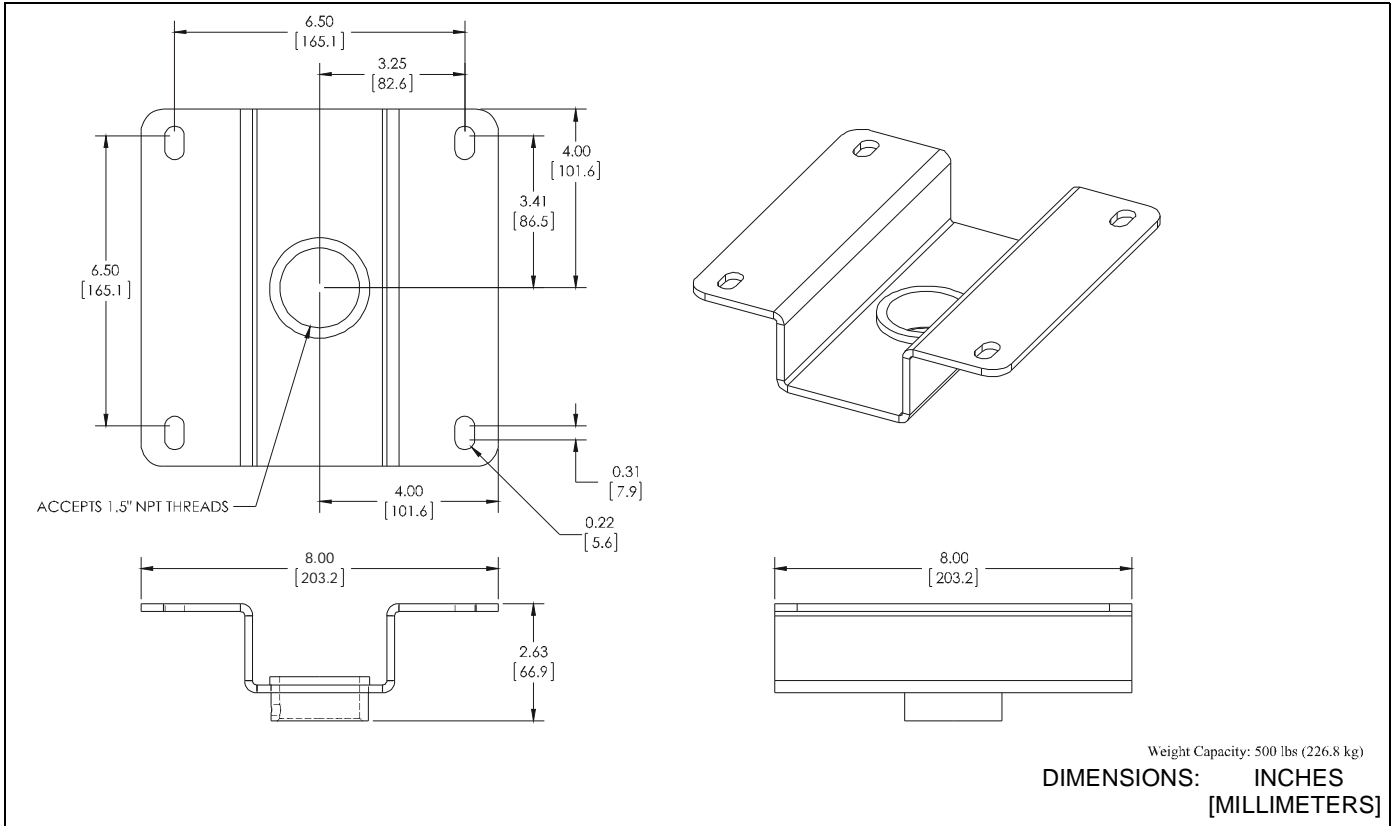
**NOTE:** The LCM2X2U, LCM2X2UP, LCM3X1U, LCM3X1UP, LCM3X2U, LCM3X2UP, and LCM3X3U require 2 CMA330 ceiling plates (not included). The LCM5X1U requires 3 CMA330 ceiling plates (not included).

**--SAVE THESE INSTRUCTIONS--**

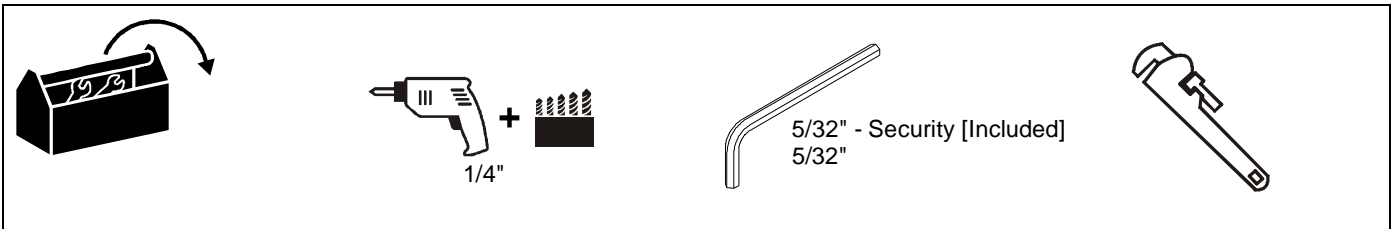
**LEGEND**

	<p><b>Tighten Fastener</b>                      Apretar elemento de fijación                      Befestigungsteil festziehen                      Apertar fixador                      Serrare il fissaggio                      Bevestiging vastdraaien                      Serrez les fixations</p>		<p><b>Pencil Mark</b>                      Marcar con lápiz                      Stiftmarkierung                      Marcar com lápis                      Segno a matita                      Potloodmerkteken                      Marquage au crayon</p>
	<p><b>Loosen Fastener</b>                      Aflojar elemento de fijación                      Befestigungsteil lösen                      Desapertar fixador                      Allentare il fissaggio                      Bevestiging losdraaien                      Desserrez les fixations</p>		<p><b>Drill Hole</b>                      Perforar                      Bohrloch                      Fazer furo                      Praticare un foro                      Gat boren                      Percez un trou</p>
	<p><b>By Hand</b>                      A mano                      Von Hand                      Com a mão                      A mano                      Met de hand                      À la main</p>		<p><b>Optional</b>                      Opcional                      Optional                      Opcional                      Opzionale                      Optie                      En option</p>
	<p><b>Hex-Head Wrench</b>                      Llave de cabeza hexagonal                      Sechskantschlüssel                      Chave de cabeça sextavada                      Chiave esagonale                      Zeskantsleutel                      Clé à tête hexagonale</p>		<p><b>Security Wrench</b>                      Llave de seguridad                      Sicherheitsschlüssel                      Chave de segurança                      Chiave di sicurezza                      Veiligheidsleutel                      Clé de sécurité</p>
	<p><b>Socket Wrench</b>                      Llave de cubo                      Steckschlüssel                      Chave de caixa                      Chiave a brugola                      Dopsleutel                      Clé à douilles</p>		

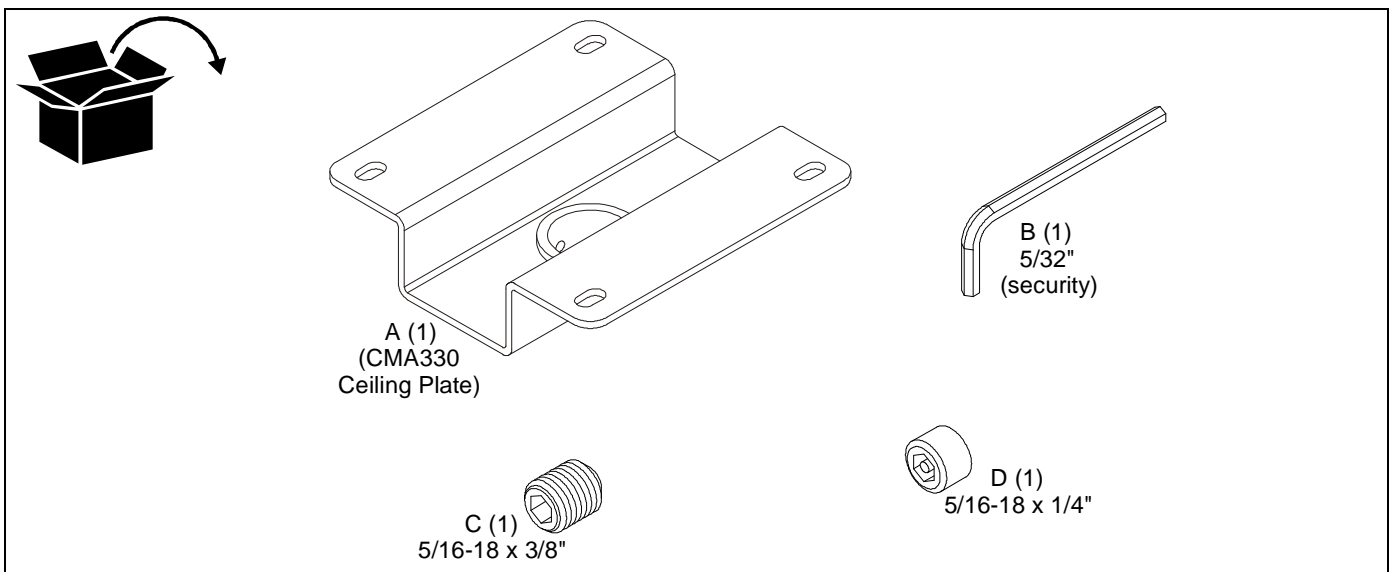
**DIMENSIONS**



**TOOLS REQUIRED FOR INSTALLATION**



**PARTS**



## INSTALLATION AND INSTALLATION

These CMA mounts are designed for attachment to a 2" x 6" wood framework ceiling, a concrete ceiling or a suspended metal framing channel ceiling, and provides vertical adjustments in 3/4" increments.



**WARNING:** Do NOT attach to vertical mounting surfaces such as walls or angled ceilings!



**WARNING:** IMPROPER INSTALLATION CAN LEAD TO LIFT FALLING CAUSING SEVERE PERSONAL INJURY OR DAMAGE TO EQUIPMENT! It is the installer's responsibility to make certain the structure to which the mount is being attached is capable of supporting five times the weight of the CMA mount and all attached equipment. Reinforce the structure as required before installing the mount.

**NOTE:** The following instructions assume a suitable mounting structure and surface exists prior to installation.

### Installing to a Wood Framework (Joists)

- Using ceiling plate (A) as a template, mark locations of four pilot holes (See Figure 1). Ensure the marks are in the center of wood joists.

**NOTE:** Drywall not shown for clarity.

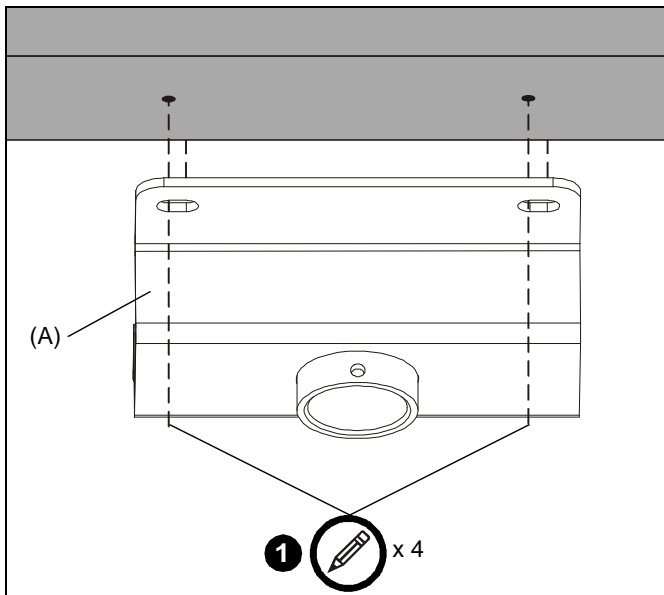


Figure 1

- Drill 1/4" diameter pilot holes into wood joists (See Figure 2). Ensure pilot holes are straight.
- Install and tighten four 3/8" x 2-1/2" (minimum) Grade 2 lag screws (not included) through CMA330 (A), into wood joist (See Figure 2). See Figure 3 for dimensions details.

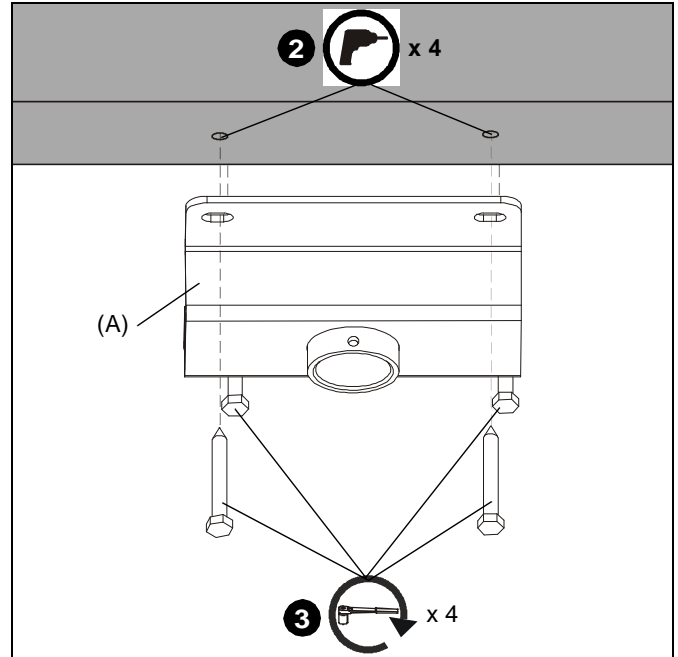


Figure 2

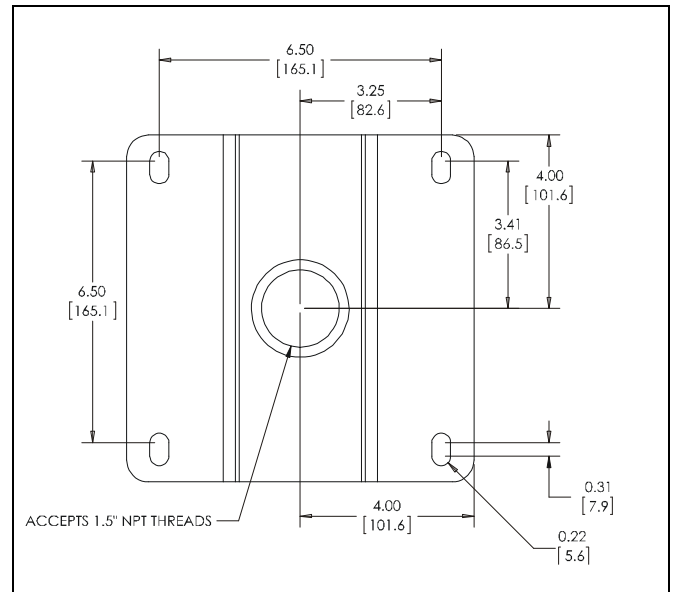


Figure 3

### Installing to a Suspended Ceiling

**NOTE:** The CMA mount may be suspended from four 3/8 in. diameter ASTM A307 or better threaded rods (not provided) which are secured to a 1-5/8" x 1-5/8" 12ga metal framing strut channel (spanning a maximum of 4 feet--not provided) by ASTM A307 or better 3/8" channel nuts (not provided). Threaded rods must have 16 threads per square inch.

- Insert the rods into the four bolt holes in the CMA mount.
- Secure the threaded rods to the CMA mount with ASTM A307 or better 3/8" jam nuts (not provided) and washers (one of each on inside and one of each on outside-not provided). See Figure 3 for dimensions details.

## Installing to a Solid Concrete Ceiling Structure



**WARNING:** The CMA330 is designed to be mounted to a concrete ceiling with a minimum thickness of 8" and a maximum drywall covering of 5/8".



**WARNING:** Fischer Ux10 anchors (not provided) must be installed into structurally sound solid concrete. Installation into hollow concrete block, mortar, or concrete that exhibits cracking, spalling, or other defects may result in failure of anchor and serious personal injury or damage to equipment.

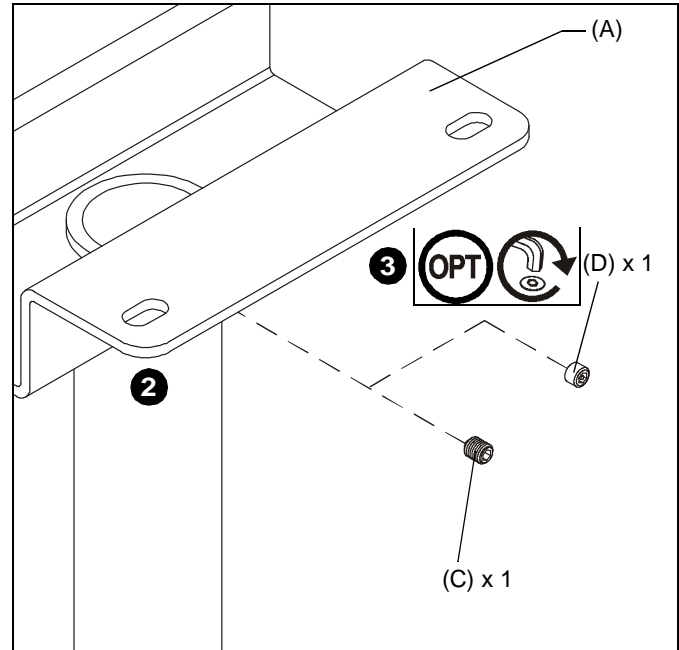
1. Use four Ux10 anchors (not provided) to secure CMA mount into solid concrete ceiling. See Figure 3 for dimensions details.
2. Place CMA mount over anchors, aligning bolt holes in CMA mount with installed anchors.
3. Secure CMA mount to ceiling using four 3/8" Grade 2 flat washers (not provided) and four 3/8" x 2 1/2" Grade 2 bolts (not provided) tightened over anchors.

## Installing Extension Column



**WARNING:** Exceeding the weight capacity can result in serious personal injury or damage to equipment! It is the installer's responsibility to make sure the combined weight of all components attached to the CMA330 does not exceed 500 lbs (227 kg).

1. Route cables through extension column (not included).
2. Install 1-1/2" NPT following ANSI/ASME B1.20.1 (Schedule 40, 0.154" minimum thickness aluminum - ASTM B221) threaded extension column (not included) into CMA330 until tight, with a minimum of four threads engaged.
3. Secure extension column by *one* of the following methods (See Figure 4):
  - Install one 5/16" x 3/8" set screw (C) into threaded hole, tightening firmly against column.
  - **OPTIONAL:** Install one 5/16" x 1/4" security set screw (D) into threaded hole, tightening firmly against column.



**Figure 4**

4. Complete installation following mount installation instructions.





Our Mounts. **Your Vision.**

Chief, a products division of  
Milestone AV Technologies

8800-002140 Rev04  
©2017 Milestone AV Technologies  
[www.milestone.com](http://www.milestone.com)  
08/17

<b>USA/International</b>	<b>A</b> 6436 City West Parkway, Eden Prairie, MN 55344 <b>P</b> 800.582.6480 / 952.225.6000 <b>F</b> 877.894.6918 / 952.894.6918
<b>Europe</b>	<b>A</b> Franklinstraat 14, 6003 DK Weert, Netherlands <b>P</b> +31 (0) 495 580 852 <b>F</b> +31 (0) 495 580 845
<b>Asia Pacific</b>	<b>A</b> Office No. 918 on 9/F, Shatin Galleria 18-24 Shan Mei Street Fotan, Shatin, Hong Kong <b>P</b> 852 2145 4099 <b>F</b> 852 2145 4477

