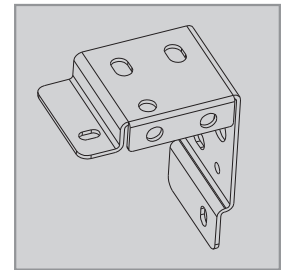
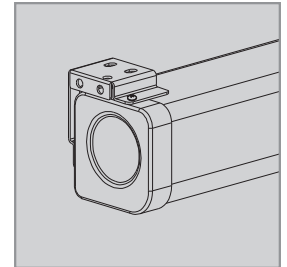
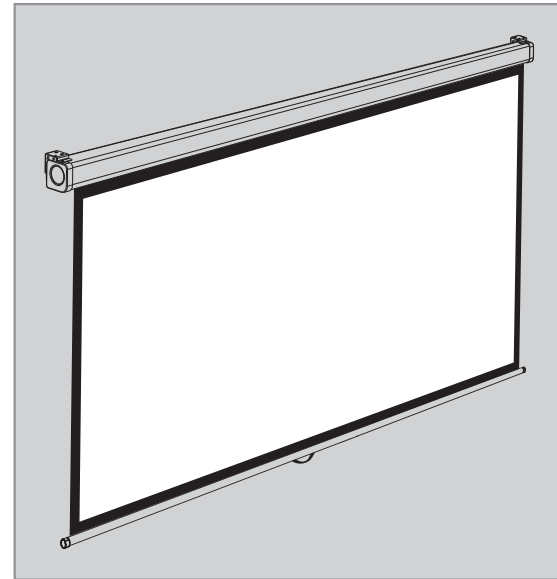




- Designed to reflect high quality images
- Designed for simple installation and use



Installation Guide for **Manual projection screen**

- Easy to operate and reflects vivid and colourful images.
- Applicable for education venues, meeting rooms, control rooms, boardrooms, training facilities and home theatres.
- Especially suited for specific use projectors.

Technical Assistance

If you need help with installing this screen please visit
www.sapphireav.com

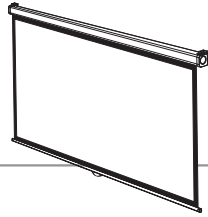


Thank you for purchasing a Sapphire projection screen.

Before use, please read instructions carefully. After installation, store instructions for future reference.

Thank you for choosing Sapphire

Sapphire screens will reflect the most realistic images and can be used with a wide range of applications. The design is practical yet up to date, a simple choice for any professional or home theatre enthusiast.



Product Safety

To ensure your safety, please read "Product Manual and Warnings"

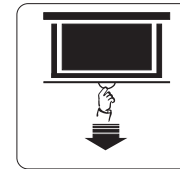
- The ceiling or wall used for fixture installation must be secure to prevent the screens from falling.
- Please read the following as any damage to the screen surface will affect the quality of the picture:
 - 1.Avoid contact or touching the screen surface as it may cause scratches or tears.
 - 2.Do not write or draw on the surface
 - 3.Clean the screen with a soft cloth and lukewarm water. Do not use any detergent or cleaning products.
- Roll up the screen after every use.
- Ensure that the screen is level when installing; do not pull on the sides or fold the screen.
- To prevent unnecessary damage, the operating and maintenance of the screen should be done by adults.

Product Features

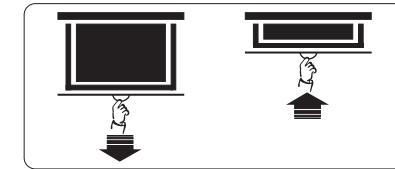
- **Trendy and Elegant**
The square metal casing is compact and elegant. The white cover is coated with PVC technology that enhances the feel and esthetics.
- **Unique Rolling Rod**
Special designs on the rod allow minimal contact with the screen's surface resulting in minimal damage to the screen.
- **Location**
It is suited for various venues such as education facilities, home theatres, boardrooms , or other entertainment sites.

Instructions

1. Sapphire projection screen advanced self-locking system is easy to use. Pull down to the appropriate height, then hesitate and allow the screen to retract very slowly until it locks in place.
2. When retracting the screen, simply pull down screen slightly to release the self-lock . Guide the screen up with the handle, and release when the screen is fully retracted.



Picture 1



Picture 2

Warnings



Ignoring the safety warnings may lead to injuries and/or damaging the product.



Fixtures should be installed in a secure place to avoid accidents or the screen falling.



Please contact your local dealer for repairs or maintenance . Please contact our company if you have any further questions . Avoid taking apart the fixtures yourself . Loose parts may cause the screen to fall.

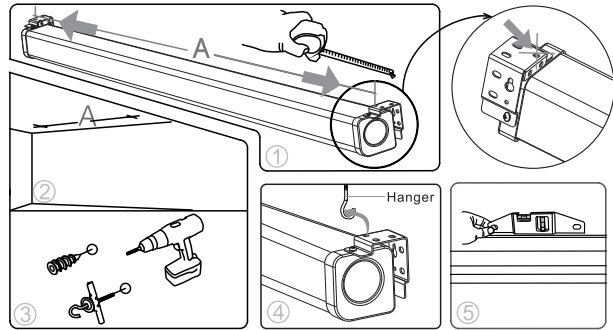


Roll up the screen after every use . Leaving it hanging for a long period of time may cause the fabric to loosen.

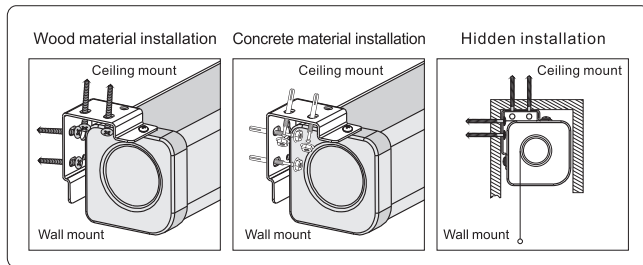
Do not take apart and replace with unknown parts. If there are any problems, please contact your local dealer. Product specifications are subject to change.

Ceiling Mount

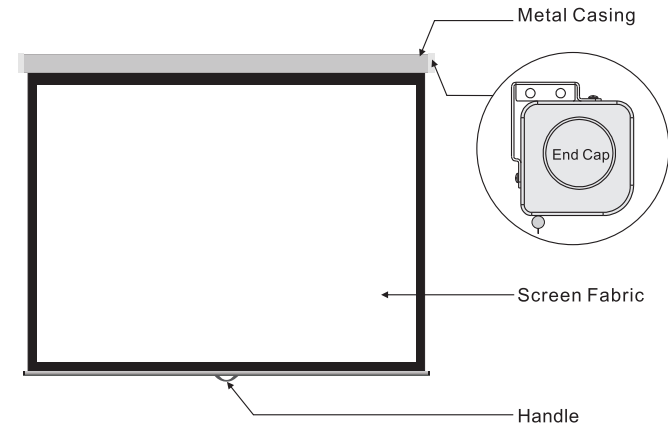
Using a tape measure, measure the distance between the two keyholes on the casing (figure 1) .
According to the measurement, use the drill to drill identical holes of the appropriate size on the ceiling (use a smaller drill bit than the actual screws) and ensure that it is level (figure 2 & 3) . Screw in the hook screws (not provided), and lift the screen into the hook screws to hang (figure 4) . To ensure that the screen is level, use a level to check (figure 5) .



Wall/Ceiling Mounting Installation



Description



Accessories

■ 5x40mm Screws and Anchors (8)

■ Installation Manual



Installation

1. This projection screen should be installed at the best possible viewing position for the audience. Take out all the parts from the packaging and follow the accessories guideline to ensure you have all the parts. The parts needed will vary depending on which installation you choose to use. For installation on a wood wall or ceiling, use 5 x 40 anchors and screws.
2. There are two way for wall brackets to fix on the housing. As you can see on the figure 1, which is our normal fixed way (namely factory set). While the other fixed way is to interchange the left and right wall brackets, and then fix onto the housing (namely functional installation way, as figure 2).

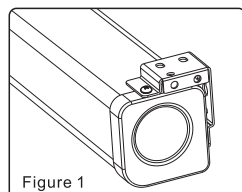


Figure 1

Factory-set installation way

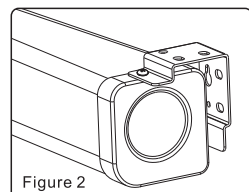


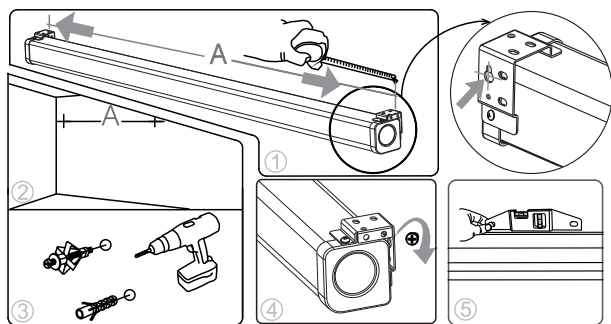
Figure 2

Functional installation way

Installation one (Factory-set installation way)

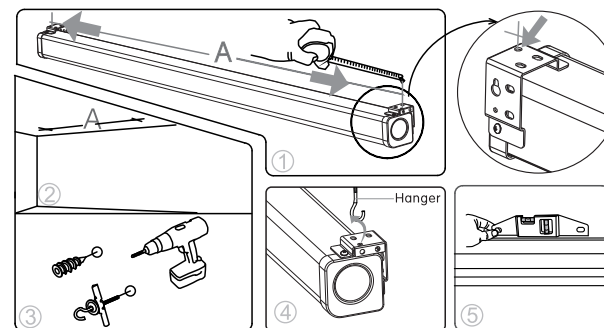
Wall Mount

Using a tape measure, measure the distance between the two keyholes on the casing (figure 1). According to the measurement, use the drill to drill identical holes of the appropriate size on the wall (use a smaller drill bit than the actual screws) and ensure that it is level (figure 2 & 3). Screw in the appropriate screws, either 5 x 40 by itself for wood walls or with anchors for drywalls, leaving enough space at the end to hang the casing (figure 4). To ensure that the screen is level, use a level to check (figure 5).



Ceiling Mount

Using a tape measure, measure the distance between the two keyholes on the casing (figure 1). According to the measurement, use the drill to drill identical holes of the appropriate size on the ceiling (use a smaller drill bit than the actual screws) and ensure that it is level (figure 2 & 3). Screw in the hook screws (not provided), and lift the screen into the hook screws to hang (figure 4). To ensure that the screen is level, use a level to check (figure 5).



Installation two (Functional installation way)

The brackets can reversed very easily to make fitting to the wall or ceiling safe. If the screen is to be hung they can stay as they have been fitted for transit. Reversing them makes the fitting much easier.

Wall Mount

Using a tape measure, measure the distance between the two keyholes on the casing (figure 1). According to the measurement, use the drill to drill identical holes of the appropriate size on the wall (use a smaller drill bit than the actual screws) and ensure that it is level (figure 2 & 3). Screw in the appropriate screws, either 5 x 40 by itself for wood walls or with anchors for drywalls, leaving enough space at the end to hang the casing (figure 4). To ensure that the screen is level, use a level to check (figure 5).

