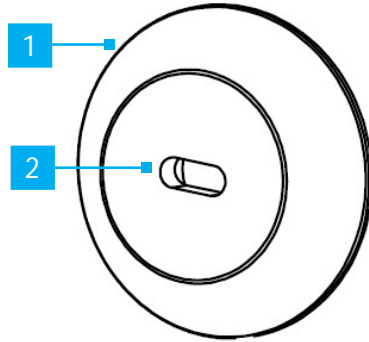


Laptop Security Port Adapter

Product Diagram (KSLTAD)



	Component	Function
1	Port Adapter	• Used in place of a stationary object to secure a connected Device .
2	Lock Slot	• Used to secure a Security Cable to the Port Adapter .

Requirements

For the latest requirements, please visit www.startech.com/KSLTAD.

Package Contents

- Lock Slot Adapter x 1
- Alcohol Wipe x 1
- Adhesive Pad x 1
- Tube of Glue x 1

Installation

Notes: The **Port Adapter** is not recommend for use in high humidity conditions, on glass, ceramic tile, or water absorbent materials.

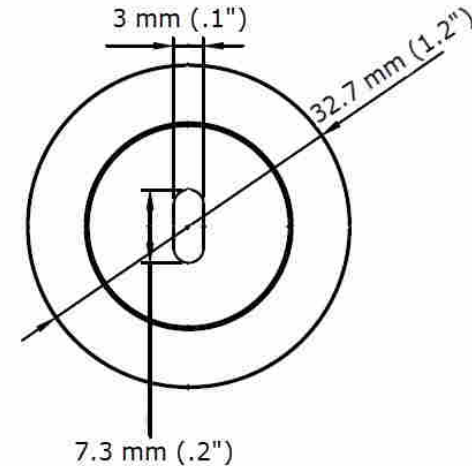
The following surface types must have a primer applied before the **Port Adapter** can be properly installed: copper, brass, or plasticized vinyl.

1. Position the **Port Adapter** on the surface you wish to mount it to.

Note: Use a pencil to draw an outline around the **Port Adapter**. This will ensure that you know the area you need to score using the **Abrasive Pad**.

2. Use the **Abrasive Pad** (included) to score the surface area you intend to mount the **Port Adapter** on. Be careful to only score the surface that the **Port Adapter** will cover.
3. Use the **Alcohol Pad** (included) to clean the scored surface prior to installation. Allow the alcohol to dry before installing the **Port Adapter** on the surface.
4. Apply the **Adhesive** to the back of the **Port Adapter**.
5. Apply the adhesive side of the **Port Adapter** to the scored surface and hold for 30 seconds. It is recommended that the adhesive is applied at room temperature, 68 Fahrenheit (20 Celsius).
6. Before connecting a **Security Cable** to the **Port Adapter**, allow the adhesive at least 24 hours to bond to the surface.

Product Dimensions



Use of Trademarks, Registered Trademarks, and other Protected Names and Symbols

This manual may make reference to trademarks, registered trademarks, and other protected names and/or symbols of third-party companies not related in any way to StarTech.com. Where they occur these references are for illustrative purposes only and do not represent an endorsement of a product or service by StarTech.com, or an endorsement of the product(s) to which this manual applies by the third-party company in question. StarTech.com hereby acknowledges that all trademarks, registered trademarks, service marks, and other protected names and/or symbols contained in this manual and related documents are the property of their respective holders.

Warranty Information

This product is backed by a two-year warranty.

For further information on product warranty terms and conditions, please refer to www.startech.com/warranty.

Limitation of Liability

In no event shall the liability of StarTech.com Ltd. and StarTech.com USA LLP (or their officers, directors, employees or agents) for any damages (whether direct or indirect, special, punitive, incidental, consequential, or otherwise), loss of profits, loss of business, or any pecuniary loss, arising out of or related to the use of the product exceed the actual price paid for the product. Some states do not allow the exclusion or limitation of incidental or consequential damages. If such laws apply, the limitations or exclusions contained in this statement may not apply to you.

Safety Measures

- If product has an exposed circuit board, do not touch the product under power.

Mesures de sécurité

- Si l'un des circuits imprimés du produit est visible, ne pas touchez le produit lorsqu'il est sous tension.

安全対策

- 製品に露出した状態の回路基盤が含まれる場合、電源が入っている状態で製品に触らないでください。

Misure di sicurezza

- Se il prodotto ha un circuito stampato visibile, non toccare il prodotto quando è acceso.

Säkerhetsåtgärder

- Rör aldrig vid enheter med oskyddade kretskort när strömmen är påslagen.

StarTech.com Ltd.	StarTech.com LLP	StarTech.com Ltd.	FR: fr.startech.com
45 Artisans Cres	2500 Creekside	Unit B, Pinnacle 15	DE: de.startech.com
London, Ontario	Parkwy	Gowerton Rd,	ES: es.startech.com
N5V 5E9	Lockbourne, Ohio	Brackmills	NL: nl.startech.com
Canada	43137	Northampton	IT: it.startech.com
	U.S.A.	NN4 7BW	JP: jp.startech.com
		United Kingdom	