



# AC1300 High Gain Wireless Dual Band USB Adapter

Boost Wireless Range

Archer T3U Plus



867 Mbps on 5 GHz  
400 Mbps on 2.4 GHz†



MU-MIMO†



High Gain Antenna

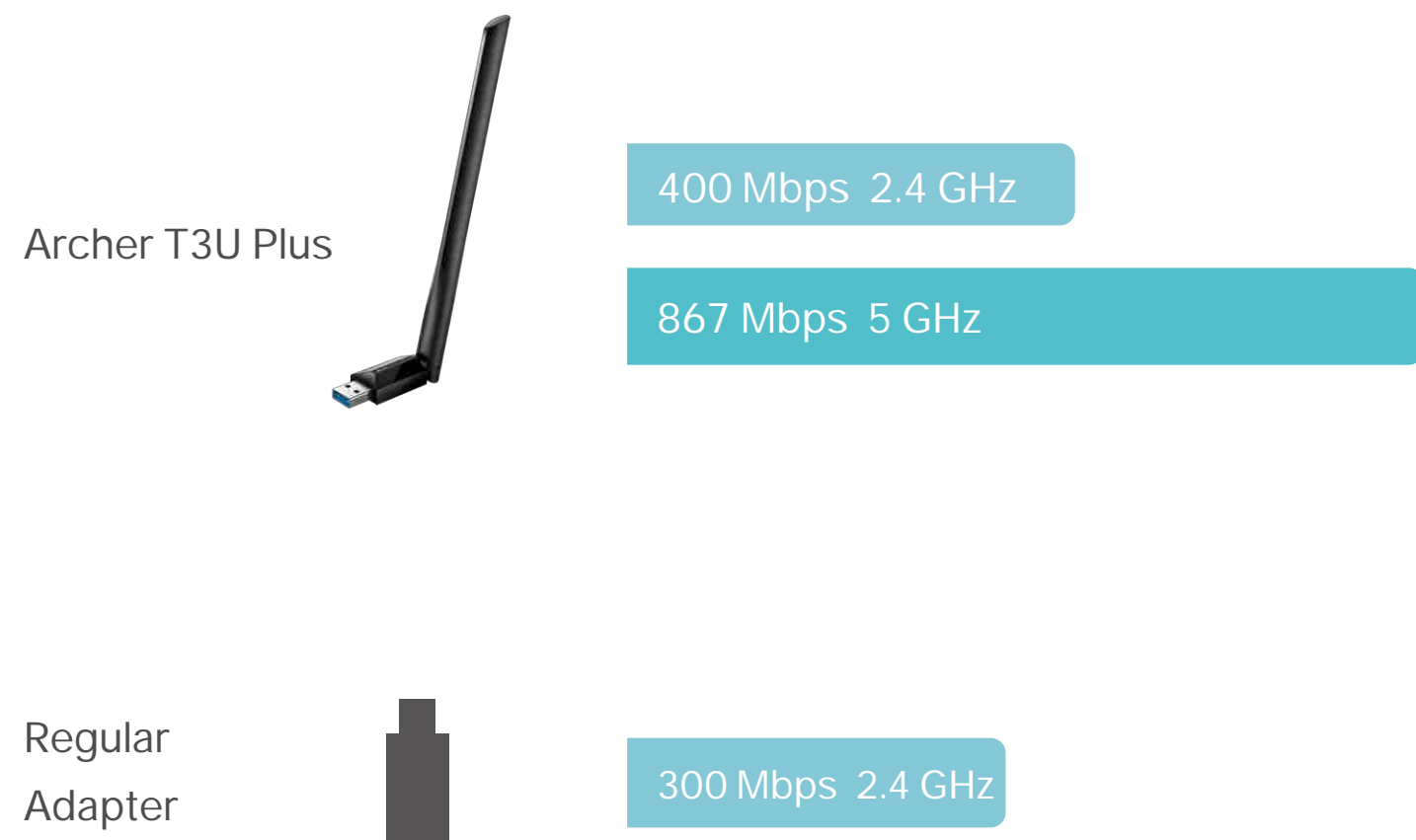


USB 3.0

# Highlights

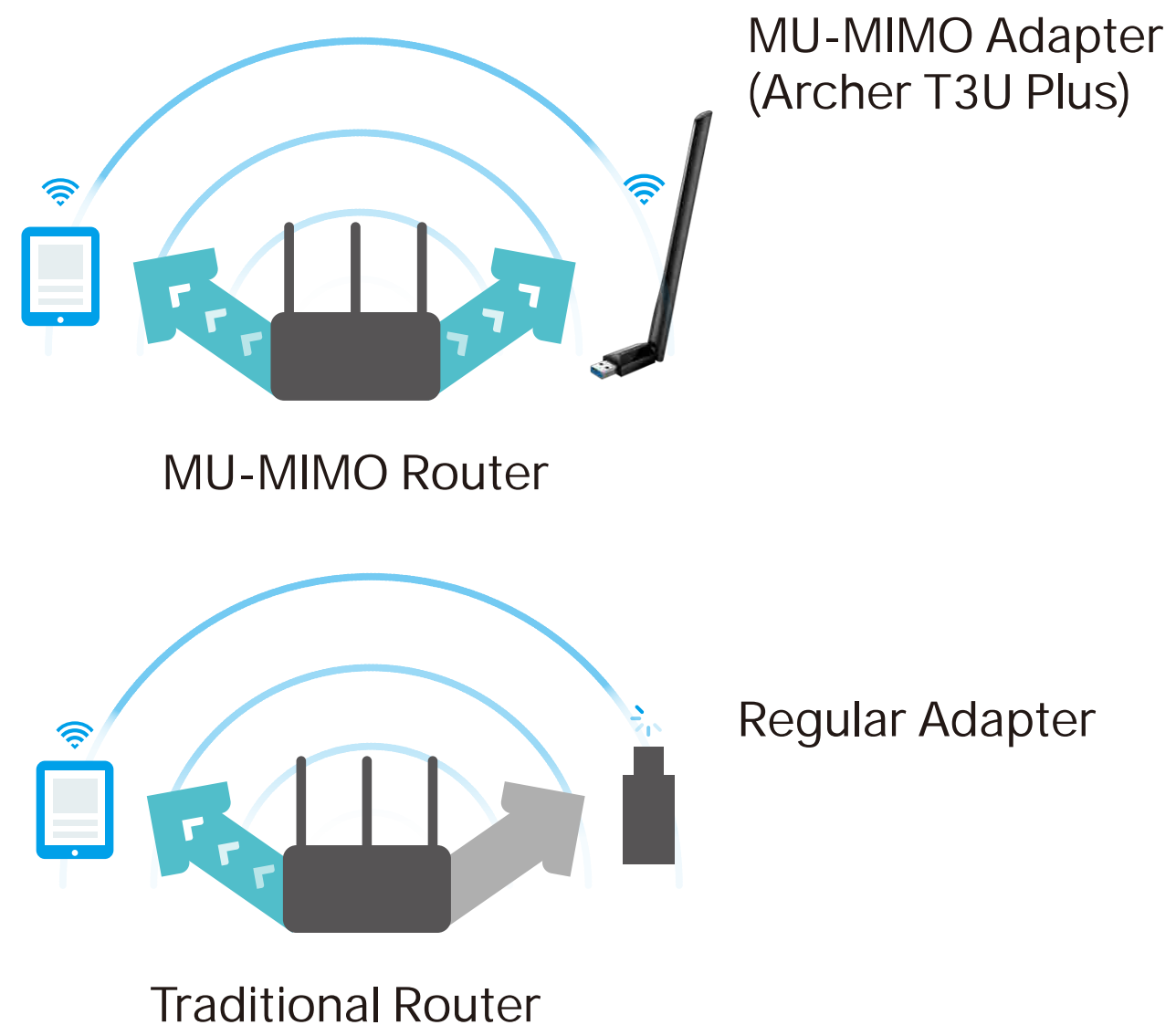
## AC1300 Dual Band Wi-Fi

The Archer T3U Plus receives Wi-Fi signals on two separate bands for all your online needs. Choose the 2.4 GHz band for up to 400 Mbps of surfing, emailing and social media, or switch to 5 GHz for up to 867 Mbps of gaming, HD streaming and large file downloads.



## Boosted Throughput with MU-MIMO

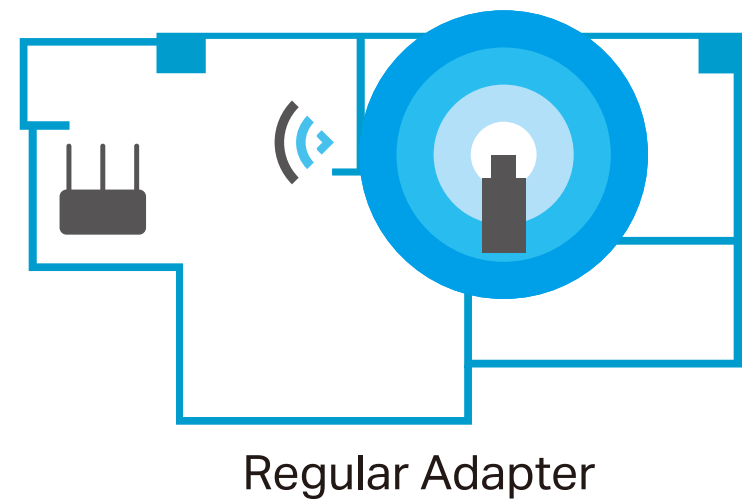
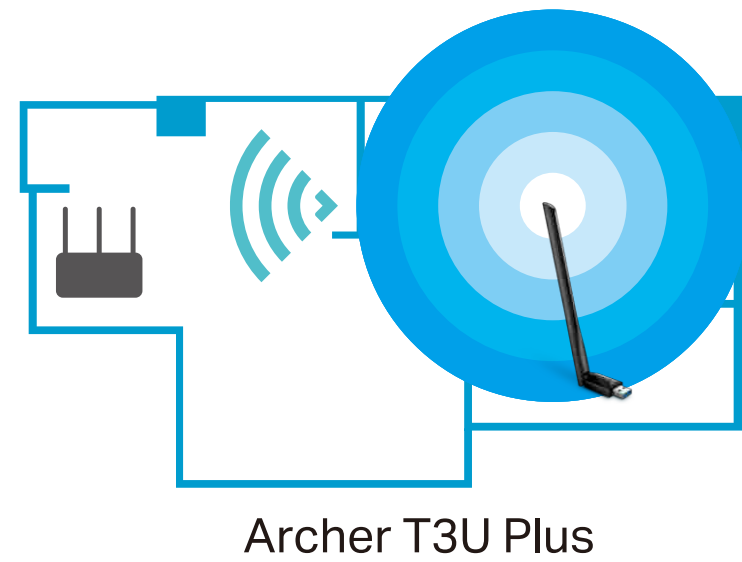
MU-MIMO technology can provide two simultaneous data streams, improving the throughput and efficiency of the entire network when working with a compatible MU-MIMO router.



# Highlights

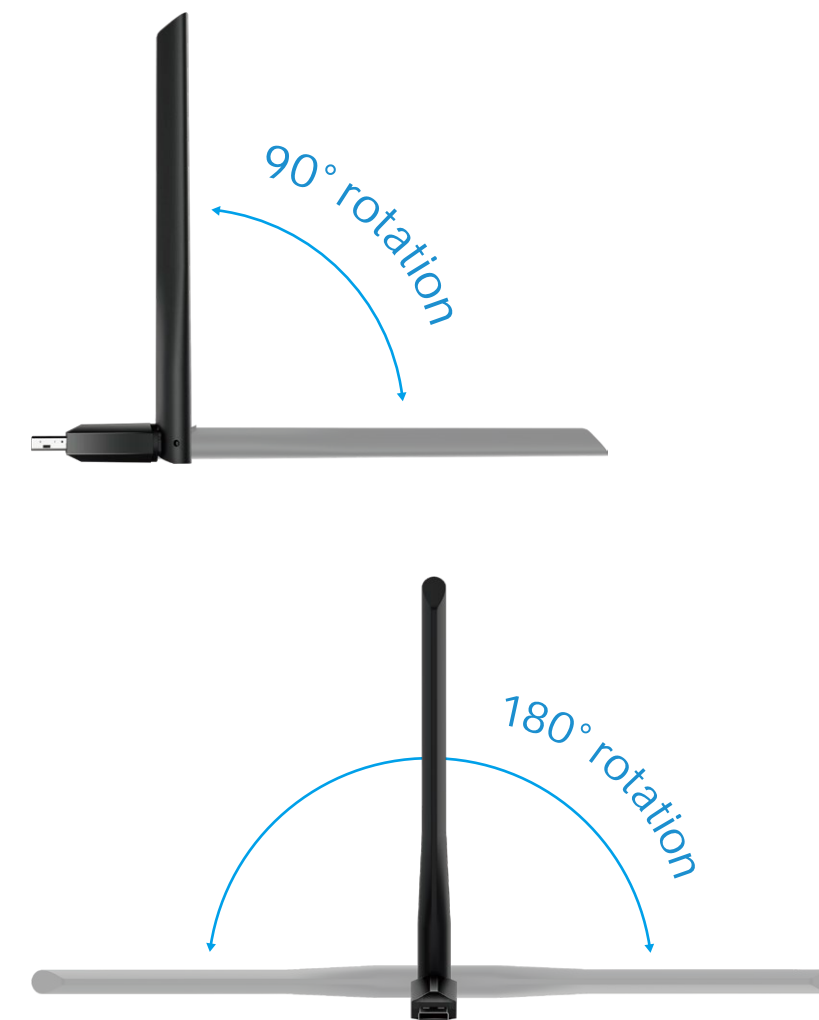
## High Gain Antenna for Broader Coverage

A high gain antenna reaches your router from farther with more precise directional range, sustaining faster and more stable wireless connections.



## Adjustable Multi-Directional Antenna

Rotate and adjust the antenna in the multi-direction to improve using experience in different environments.



# Specifications

## WLAN Features

- Wireless Standards: IEEE 802.11b/g/n 2.4 GHz, IEEE 802.11a/n/ac 5 GHz
- Signal Rate:
  - 5 GHz:
    - 11ac: Up to 867 Mbps(dynamic)
    - 11n: Up to 300 Mbps(dynamic)
    - 11a: Up to 54 Mbps(dynamic)
  - 2.4 GHz:
    - 11n: Up to 400 Mbps(dynamic)
    - 11g: Up to 54 Mbps(dynamic)
    - 11b: Up to 11 Mbps(dynamic)
- Reception Sensitivity:
  - 5 GHz:
    - 11ac VHT80: -62dBm
    - 11ac VHT40: -64dBm
    - 11ac VHT20: -68dBm
    - 11n HT40: -71dBm
    - 11n HT20: -73dBm
    - 11a 54Mbps: -77dBm
  - 2.4 GHz:
    - 11n HT40: -70dBm
    - 11n HT20: -71dBm
    - 11g 54Mbps: -73dBm
    - 11b 11Mbps: -87dBm
- Transmit Power:
  - 5 GHz: 20dBm(FCC) / 20dBm(CE) (EIRP)
  - 2.4 GHz : 18dBm(FCC) / 18dBm(CE) (EIRP)
- Wireless Modes: Infrastructure mode
- Interface: USB 3.0
- Wireless Security: WEP, WPA/WPA2, WPA-PSK/WPA2-PSK

# Specifications

## Hardware

- Antennas: 1 External High gain Antenna
- LED: Status
- Dimensions: 2.28 × 0.71 × 6.83 in (57.8 × 18 × 173.4 mm)

## Others

- Package Contents
  - AC1300 High Gain Wireless Dual Band USB Adapter
  - Quick Installation Guide
  - Resource CD
- Certification
  - FCC, CE, RoHS
- System Requirements
  - Windows 10/8.1/8/7 (32/64 bit)<sup>§</sup>
- Environment
  - Operating Temperature: 0°C~40°C (32°F ~104°F)
  - Storage Temperature: -40°C~70°C (-40°F ~158°F)
  - Operating Humidity: 10%~90% non-condensing
  - Storage Humidity: 5%~90% non-condensing



For more information, please visit

[https://www.tp-link.com/products/details/?model=Archer+T3U+Plus\\_V1](https://www.tp-link.com/products/details/?model=Archer+T3U+Plus_V1)

or scan the QR code left

©2020 TP-Link

Attention: This device may only be used indoors in all EU member states and EFTA countries.

<sup>†</sup>Maximum wireless signal rates are the physical rates derived from IEEE Standard 802.11 specifications. Actual wireless data throughput and wireless coverage, and number of connected devices are not guaranteed and will vary as a result of network conditions, AP limitations, and environmental factors, including building materials, obstacles, volume and density of traffic, and AP location.

<sup>‡</sup>Use of MU-MIMO requires AP to also support MU-MIMO.

<sup>§</sup>To ensure compatibility, you may need to update the adapter's drivers after an OS update. You can find our latest drivers in the download center at [tp-link.com/en/download-center](http://tp-link.com/en/download-center).