

▶ DAC12A U

User Manual

Thank you for purchasing this product.

For optimum performance and safety, please read these instructions carefully before connecting, operating or adjusting this product. Please keep this manual for future reference.



Surge protection device recommended

This product contains sensitive electrical components that may be damaged by electrical spikes, surges, electric shock, lightning strikes, etc. Use of surge protection systems is highly recommended in order to protect and extend the life of your equipment.

Contents

Introduction	03
Features	03
Panel Descriptions	03
Specifications	04
Package Contents	04
Maintenance	04

Introduction

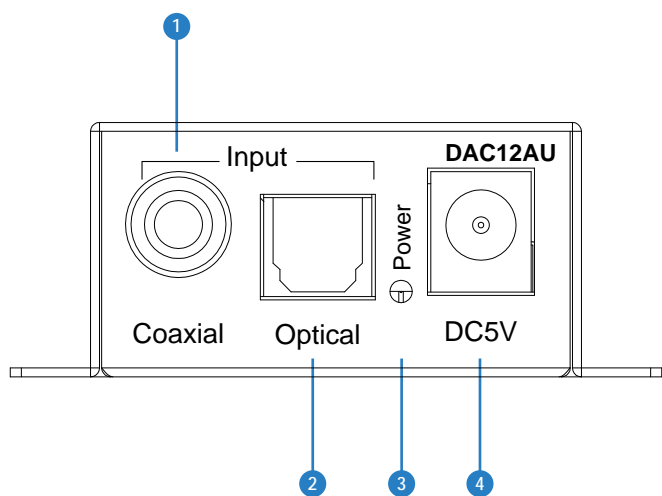
The DAC11AU is a DAC (Digital to Analogue audio Converter) and digital audio converter in one. The DAC12AU is used to convert optical or coaxial digital audio to stereo le /right analogue audio and optical digital input to coaxial digital output.

The DAC12AU is useful for either home or professional audio application.

FEATURES:

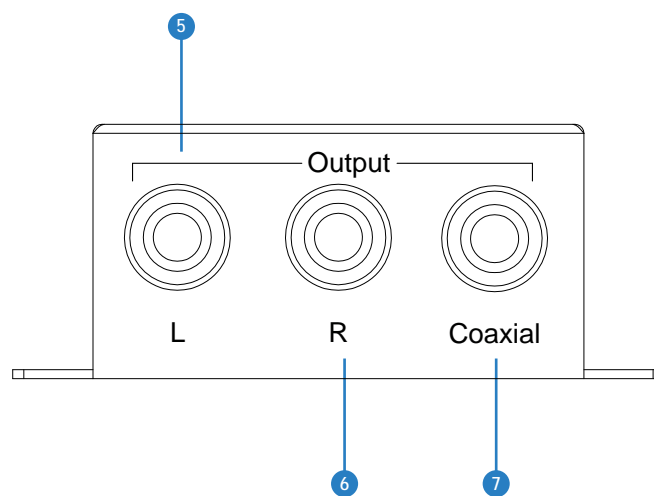
- Supports sample rates 32 kHz, 44.1 kHz, 48 kHz, 96 kHz and 192 kHz, up to 24-bit resolution
- Converts SPDIF optical or coaxial digital PCM audio to analogue stereo le /right RCA output
- Converts optical digital input to coaxial digital output
- Auto-detects digital connection in use
- Optical digital input has priority over coaxial digital input
- Ultra low jitter and high fidelity design
- Plug-and-play
- Small compact size

Front Panel



- 1 Coaxial digital input
- 2 Optical digital input - Has priority over coaxial
- 3 Power LED indicator – Displays the status of the power of the unit.
- 4 Power port – Use supplied 5V / 1amp DC adaptor

Rear Panel



- 5 Right channel analogue audio output
- 6 Left channel analogue audio output
- 7 Coaxial digital output

Specifications

Audio Input Connectors: 1x SPDIF Optical audio & 1x Coaxial digital

Audio Output Connectors: 2x Analogue stereo left/right & 1x Coaxial digital

Casing Dimensions (W x H x D): 47mm x 59mm x 23mm

Dimensions Including Connections (W x H x D): 63mm x 59mm x 23mm

Shipping Weight: 0.4kg

Operating Temperature: 32°F to 104°F (0°C to 40°C)

Storage Temperature: -4°F to 140°F (-20°C to 60°C)



Package Contents:

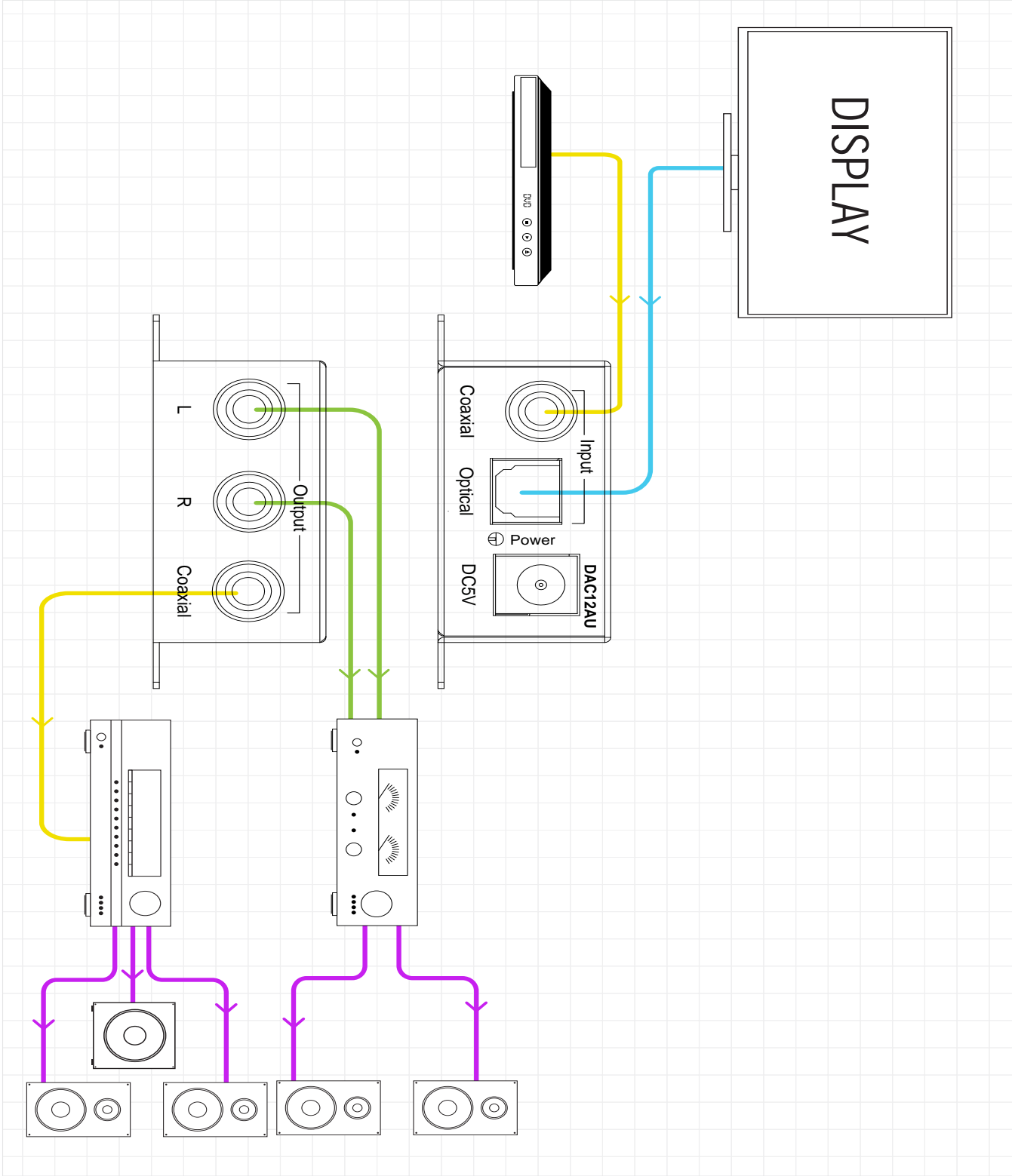
- 1 x DAC12AU
- 1 x 5V/2A DC power supply
- 1 x DC/USB cable

Maintenance:

Clean this unit with a soft, dry cloth. Never use alcohol, paint thinner or benzene to clean this unit.

BLUSTREAM

Example Schematic
DAC12AU





www.blustream.co.uk
www.blustream.com.au