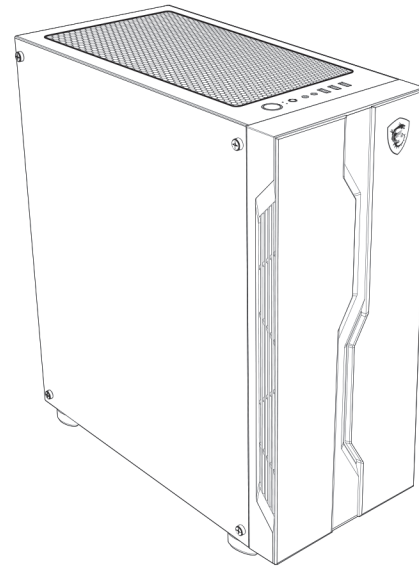




**MAG**  
**VAMPIRIC 010X**  
**VAMPIRIC 010**  
**VAMPIRIC 010M**  
**VAMPIRIC 011C**

Feature / 產品特色



- ARGB Fan Included  
(MAG VAMPIRIC 010X/ 010 only)
- 1 to 4 LED HUB  
(MAG VAMPIRIC 010X only)
- Magnetic Filter
- 4mm Tempered Glass
- Optimized Air Flow

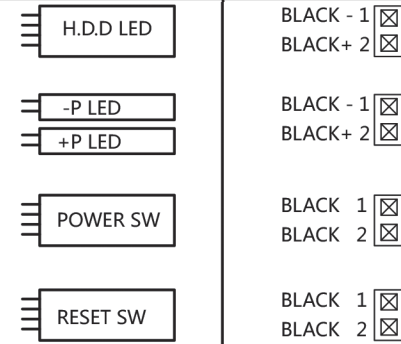
Specification / 產品規格

|                          | VAMPIRIC 010X   | VAMPIRIC 010       | VAMPIRIC 010M          | VAMPIRIC 011C |
|--------------------------|---|--------------------|------------------------|---------------|
| Case Dimensions          | 420(D) x 210(W) x 475(H) mm/ 16.54(D) x 8.27(W) x 18.70(H) inch |                    |                        |               |
| Motherboard Support      | ATX / mATX / Mini-ITX   |                    |                        |               |
| Radiator Support         | 120 / 140 / 240 / 280 / 360mm                                   |                    |                        |               |
| <b>Driver Bays</b>       |   |                    |                        |               |
| 3.5" Included            |   |                    |                        | 2             |
| 2.5" Included            |   |                    |                        | 2             |
| <b>IO Port</b>           |   |                    |                        |               |
| USB 3.0                  |   |                    |                        | 1             |
| USB 2.0                  |   |                    |                        | 2             |
| Audio / Mic              | ●   |                    |                        |               |
| LED SW Button            | ●   |                    |                        |               |
| <b>Fan</b>               |   |                    |                        |               |
| <b>Fan Support</b>       |   |                    |                        |               |
|                          | Top   | 3                  |                        |               |
|                          | Front   | 3                  |                        |               |
|                          | Rear  | 1                  |                        |               |
| Pre-Installed Fan        | Rear  | 1 x 120mm ARGB Fan | 1 x 120mm RGB Fan      |               |
| Light                    | ARGB  |                    | RGB                    |               |
| <b>Others</b>            |   |                    |                        |               |
| MSI Mystic Light Support | ● (JRAINBOW)  |                    | —                      |               |
| LED Effects Control      | MSI Mystic light or the front panel button                      |                    | the front panel button |               |
| 1 to 4 ARGB Hub included | ●   | —                  | —                      |               |

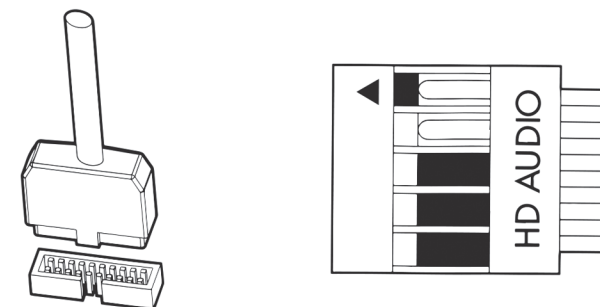
Accessories / 配件

| 配件名称 | 规格           | 备注                                |
|------|--------------|-----------------------------------|
|      | 32 x 6mm (2) | Side Panel (Steel)<br>鐵側板使用       |
|      | 32 x 6mm (4) | Side Panel<br>全透明側板使用             |
|      | 32 x 6mm (6) | PSU/ Graphics Card<br>電源供應器、顯示卡使用 |
|      | W-03B(20)    | Motherboard<br>主機板使用              |
|      | W-04B(4)     | SSD / HDD<br>硬碟安裝使用               |
|      | W-05(3)      | Motherboard Stud<br>主機板螺柱         |
|      | L159MM(5)    | Cable Management<br>理線使用          |

Cable Connection / 線材連結說明



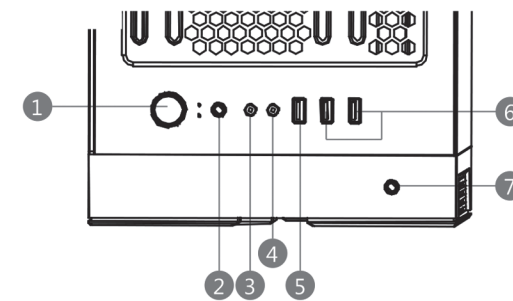
Connect Power/Reset and LED  
 連接Power/Reset與LED燈號線



Connect USB 3.0  
 安裝USB 3.0端口

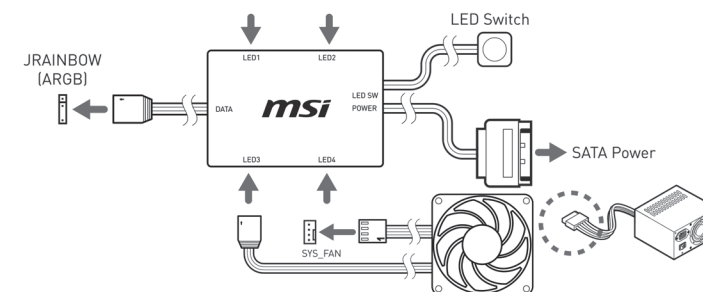
Connect HD AUDIO  
 連結前置HD AUDIO

Front Panel / 前面板說明



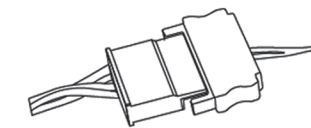
- 1. Power ON/OFF / 電源開關
- 2. Reset / 重啟開關
- 3. MIC / 麥克風輸入
- 4. AUDIO / 聲音輸出
- 5. USB 3.0
- 6. USB 2.0
- 7. LED Control / LED控制鍵

1 to 4 ARGB Hub Connection / 控制盒連結說明



(MAG VAMPIRIC 010X only)

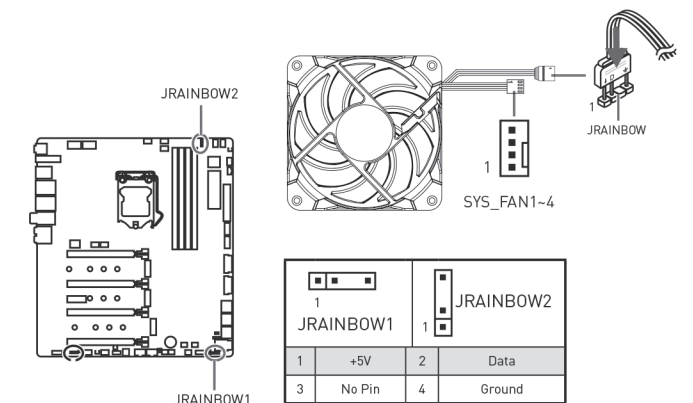
Connect Front LED / 連結前面板LED



Connect Front LED / 連接前置幻彩控制板

Connect the Front LED power cable to PSU.  
 將前置幻彩燈光供電接口與電源供應器進行連結

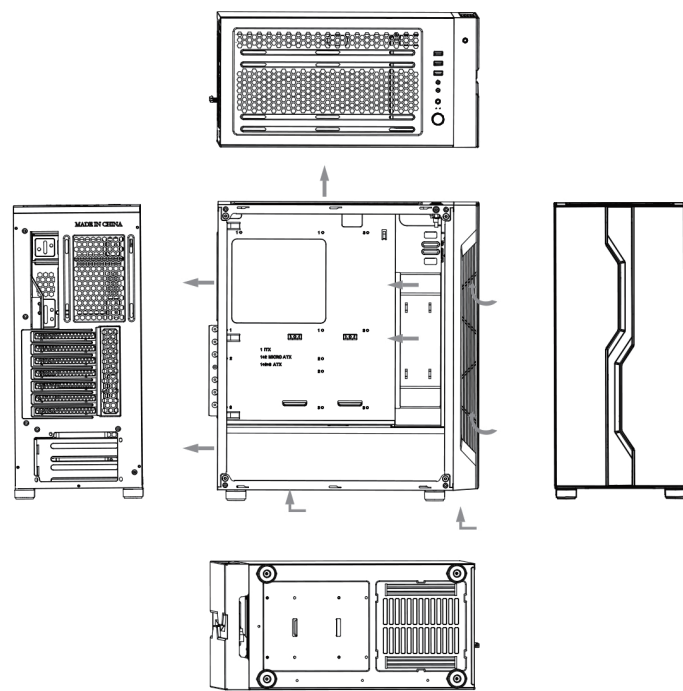
Connect PWM Mode and Addressable RGB LED to motherboard.  
 將PWM模式和幻彩燈光風扇接口與主機板進行連結



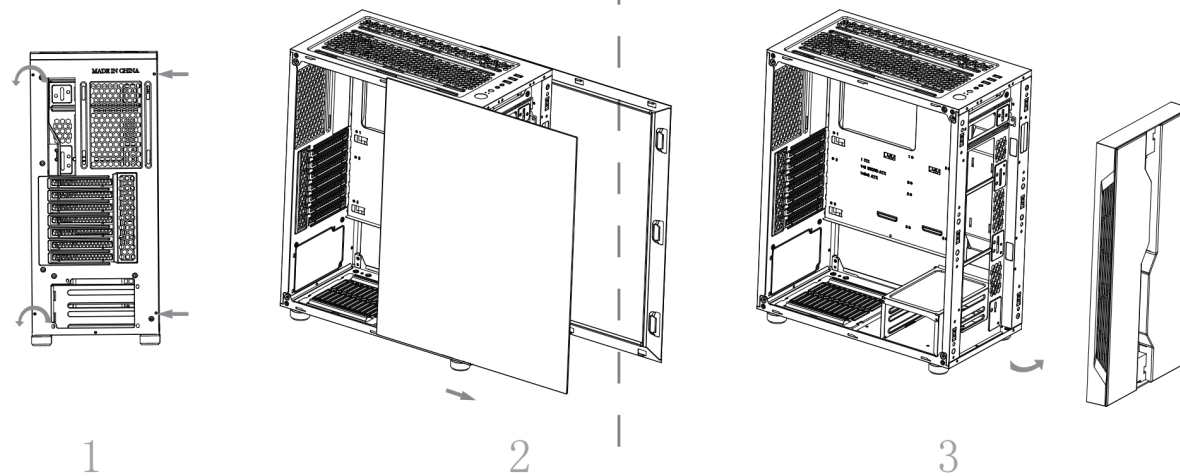
| JRAINBOW1 |        | JRAINBOW2 |        |
|-----------|--------|-----------|--------|
| 1         | +5V    | 1         | Data   |
| 3         | No Pin | 4         | Ground |

\* Please refer to your motherboard manual for details.

Cooling Suggestion [散熱建議]

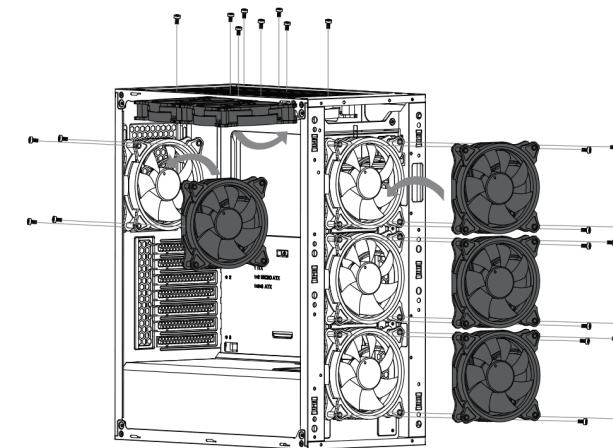
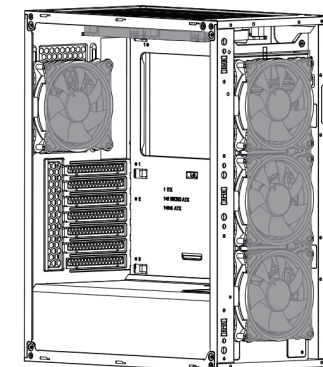


Remove Front Bezel [移除前面板]

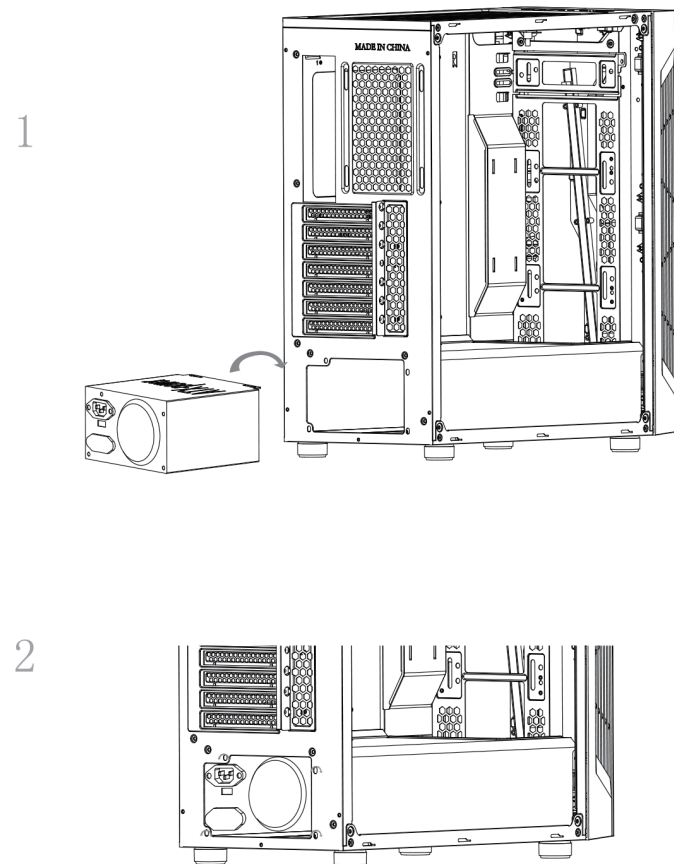


Cooling Fan Installation [風扇安裝]

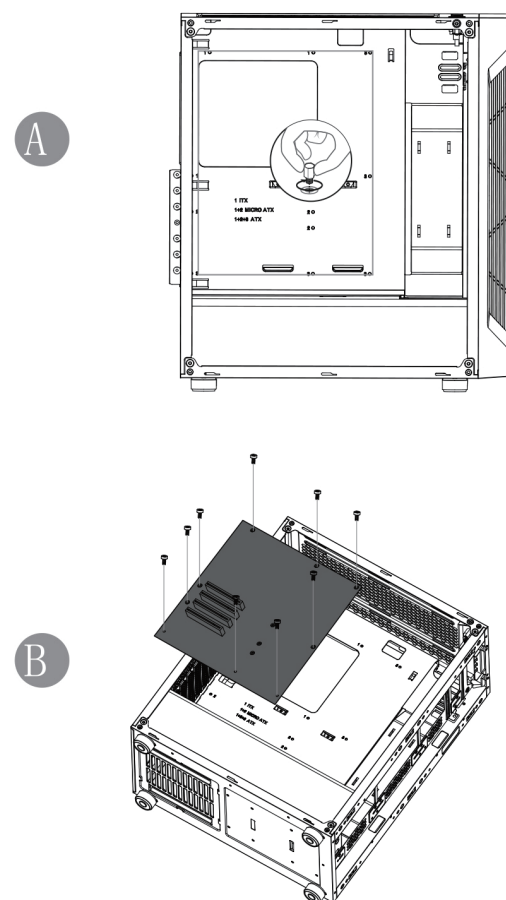
Cooling System:  
 Front: 3x120mm or 3x140mm  
 Top: 2x120mm or 2x140mm  
 Rear: 1x120mm  
 散熱風扇位:  
 前置:120mm風扇x3 或140mm風扇x3  
 頂置:120mm風扇x2 或140mm風扇x2  
 後置:120mm風扇x1



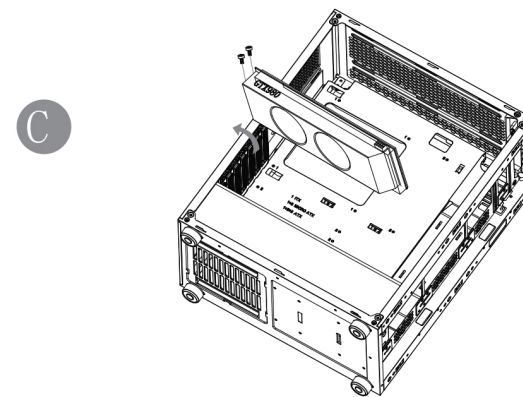
PSU Installation [電源供應器安裝]



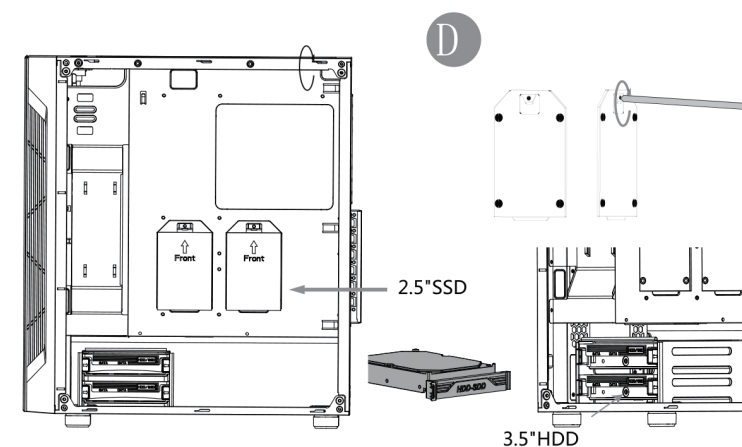
Motherboard Installation [主機板安裝]



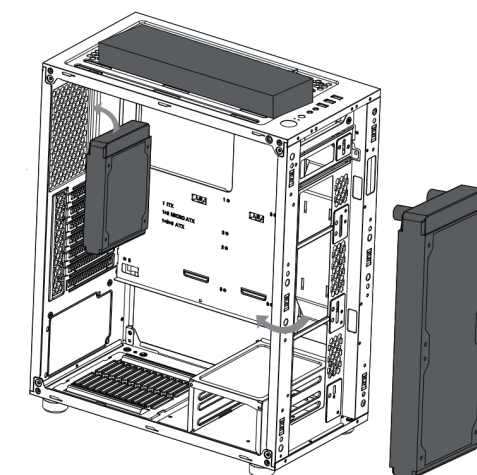
VGA Installation [顯示卡安裝]



HDD/SSD Installation [硬碟安裝]



Radiator Installation [水冷排系統安裝]



Specifications are subject to change without notice.  
 規格若有變更,恕不另行通知