

HYDRA1B

Single Monitor Mechanical Desk Mount

Amer Mount's HYDRA1B Single Monitor Aluminum Slim Mechanical Spring Monitor Arm comes with Top Fix fitting, which means this type of arm is perfect for limited space underside of the desktop. Its optimizing elbow spring gauge offers the performance and quality needed for weight adjustment. Quick-release VESA plate and detachable joints make it an ideal support for longer life and easy installation.

Features:

- Installs from Top Side: installs entirely from above the desk surface
- Smooth Arm Insertion: ensures easy installation
- Built-in Spring Tension Gauge: for perfect weight adjustments
- Spring-Assisted Mechanism: allows the workstation to easily move up and down
- Quick-Release VESA Plate: for easy installation
- Two Mounting Options: both desk clamp and grommet are included



Specifications

Product Category	• Mechanical Spring Monitor Arm	Monitor Weight Capacity (per screen)	• 0~8kg (0lbs~17.6lbs)
Material	• Aluminum, Plastic, Steel	VESA Compatible	• 75x75, 100x100
Surface finish	• Powder Coating	Tilt Range	• +90°~-90°
Colour	• Matte Black	Swivel Range	• +90°~-90°
Dimensions	• 115x561x520mm (4.5"x22.1"x20.5")	Screen Rotation	• +90°~-90°
Installation	• Grommet, Clamp	Arm Full Extension	• 467mm (18.4")
Suggested Screen Size	• 17"-32"	Quick Release VESA Plate	• Yes
Fit Curved Monitor	• Yes	Cable Management	• Yes
Screen Quantity	• 1	Instruction Manual Included	• Yes

• Warranty and Support

Warranty: 3 Years

Support: Free technical support (phone/email)

www.amer.com / www.amermounts.com

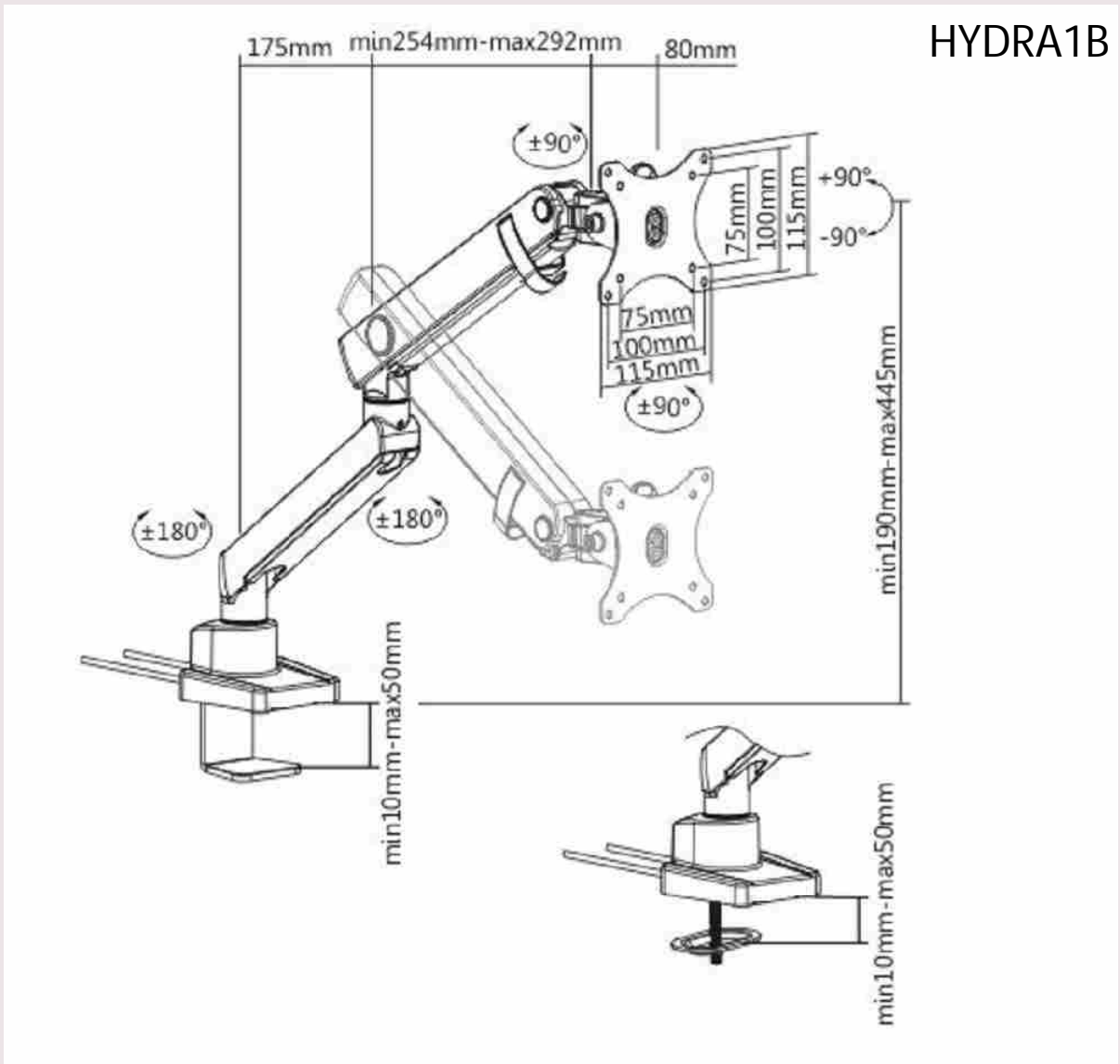
sales@amer.com
1-800-262-9703

Specifications subject to change without notice. Errors and omissions excepted. All trademarks are properties of their respective owners.

Revision 1.02

HYDRA1B

Single Monitor Mechanical Desk Mount



www.amer.com / www.amermounts.com

sales@amer.com

1-800-262-9703

Specifications subject to change without notice. Errors and omissions excepted. All trademarks are properties of their respective owners.

Revision 1.02