

## Floorstanding Assembly Instructions

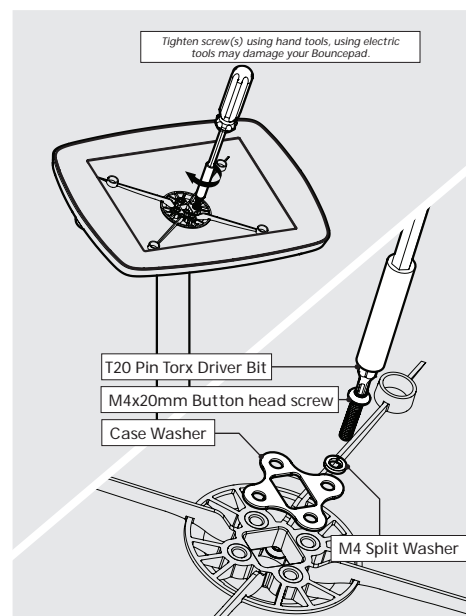
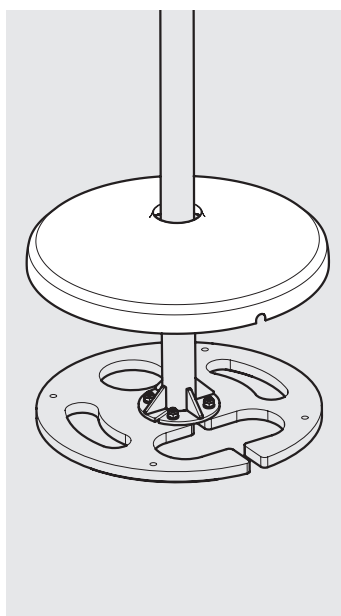
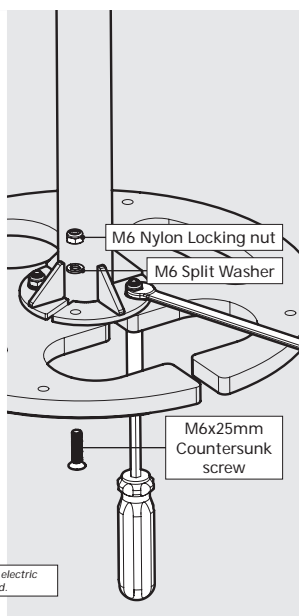
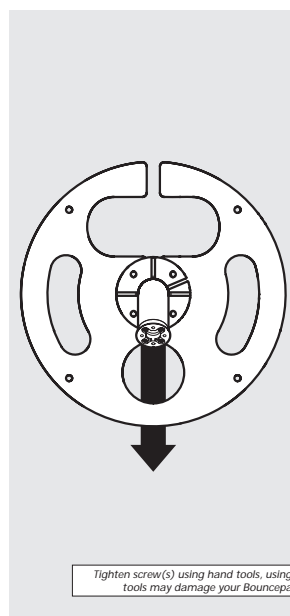
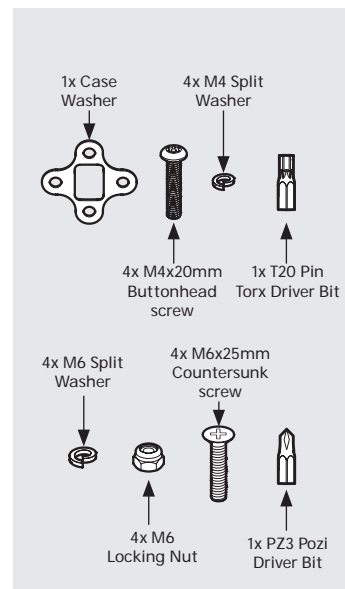
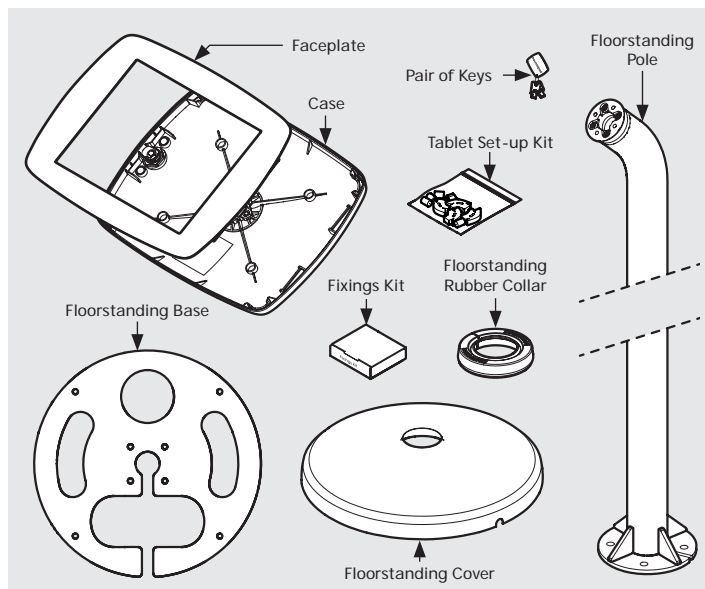
### Tools Required:

- Socket Driver
- 10mm Spanner *\*or adjustable spanner*

Sheet Code: BP-IM-047\_REV2

Release Date: 28/10/2019

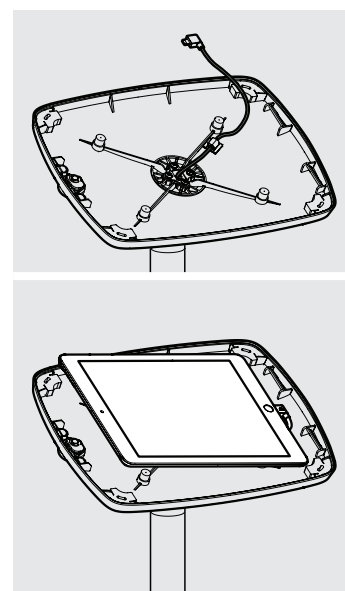
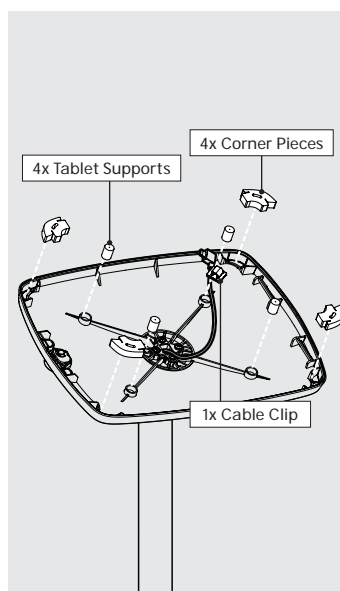
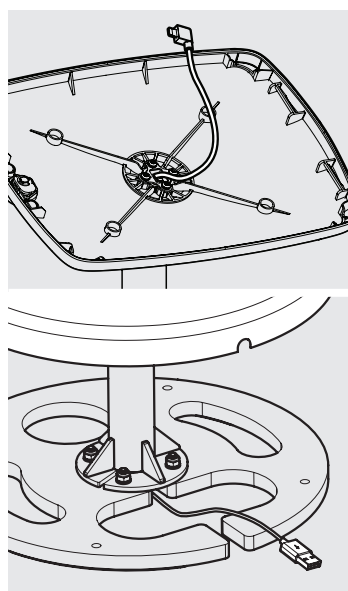
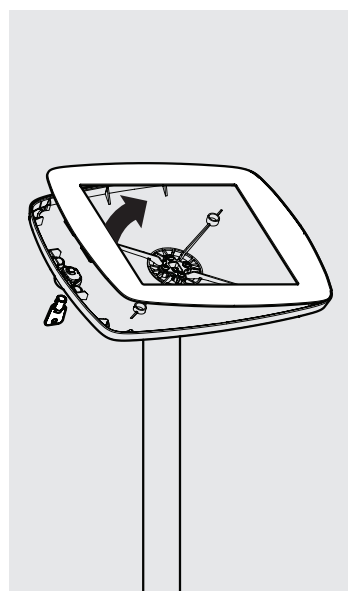
Copyright 2016 Spotspot Ltd. (T/A Bouncepad) all rights reserved. Confidential, no part of this publication may be reproduced or transmitted in any form without the written permission of the copyright holder.



**1** Orientate, locate and secure the Floorstanding Pole to the Floorstanding Base as shown. Ensure that all fixings are installed correctly.

**2** Locate the Floorstanding Cover over the Floorstanding Pole.

**3** Locate and secure the Case onto the Mounting Arm as shown. Tighten by hand.

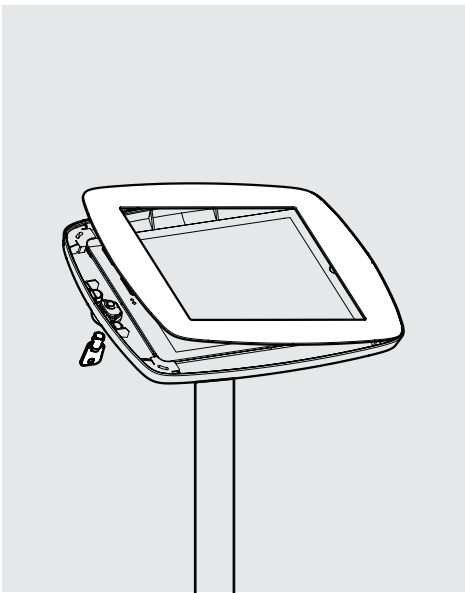


**4** Unlock & remove the Faceplate from the Bouncepad Case.

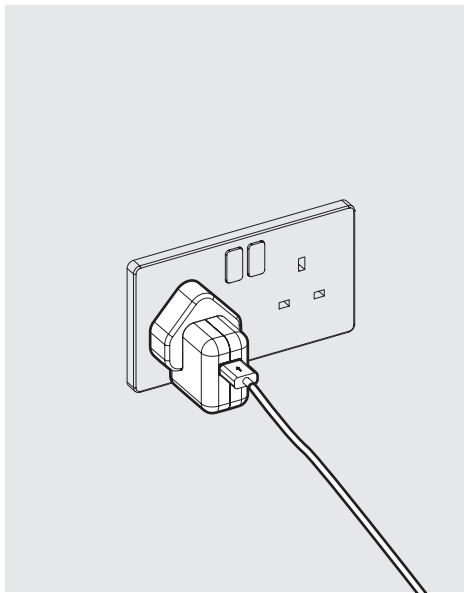
**5** Feed the tablet power cable through the Case & Floorstanding Pole.

**6** Install the Tablet Setup Kit. Each kit is specific per device & case.

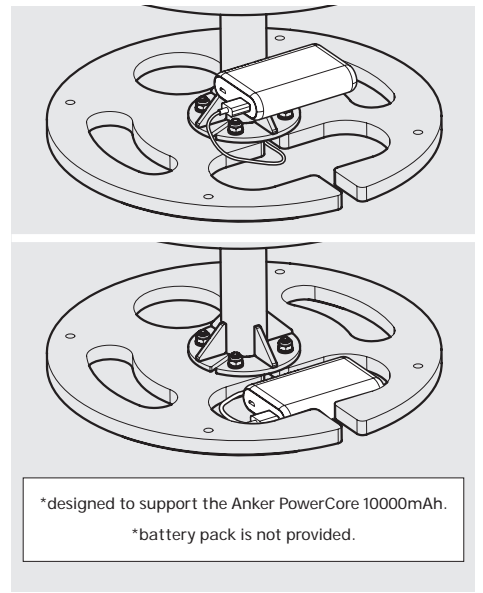
**7** Install the tablet into the Case & connect to power.



**8** Locate and lock the Faceplate to the Case.

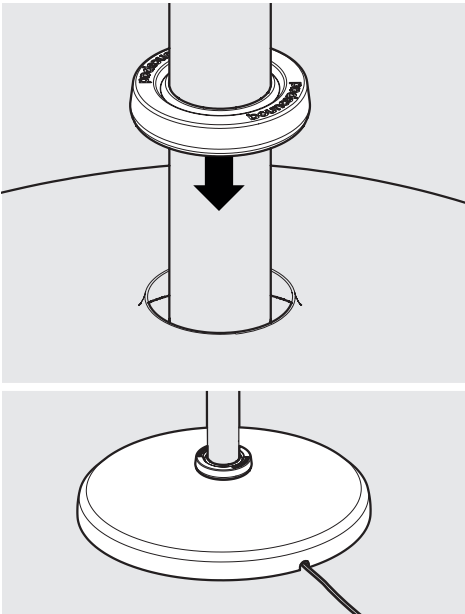


**9.1** Connect the tablet power cable to its mains power source.

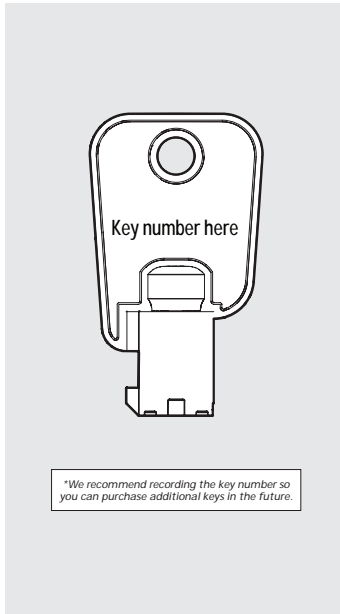


\*designed to support the Anker PowerCore 10000mAh.  
\*battery pack is not provided.

**9.2** If installing a battery pack, connect the tablet cable and locate the pack into the Floorstanding Base.



**10** With the Floorstanding Cover on the ground, locate and fit the Floorstanding Rubber Collar.



*\*We recommend recording the key number so you can purchase additional keys in the future.*

**11** Installation is now complete.