

bouncepad®

Sumo 270° Mounting Arm

Assembly Instructions

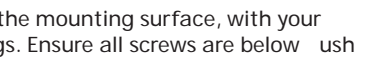
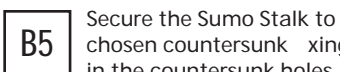
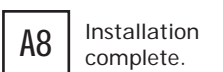
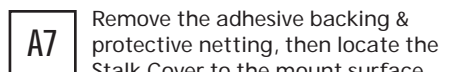
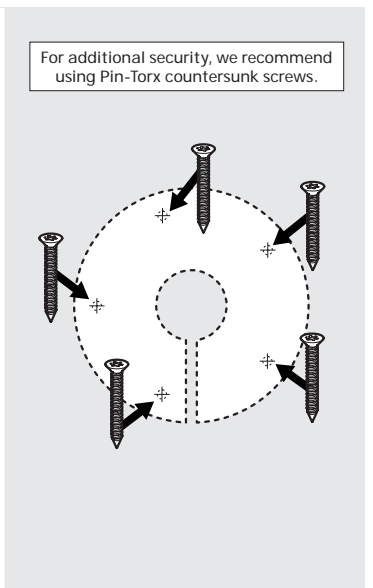
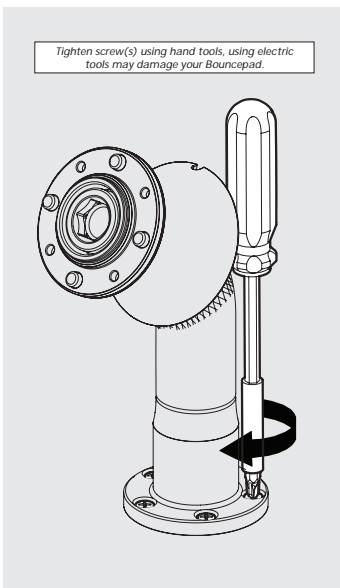
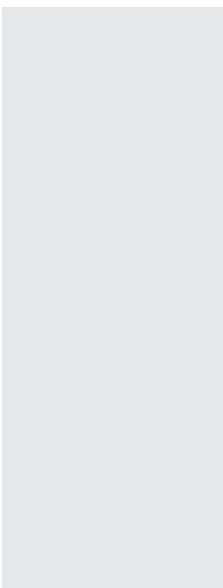
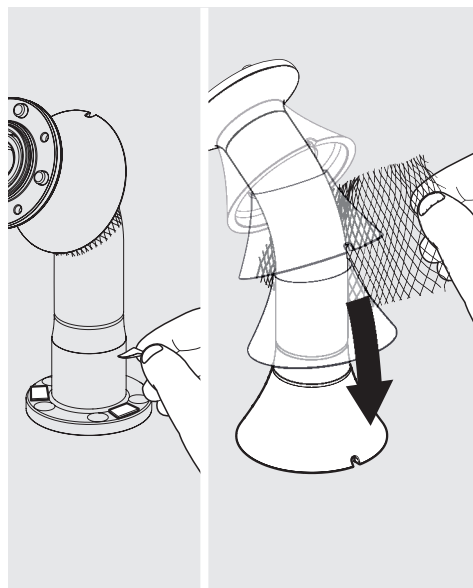
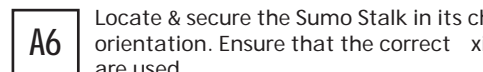
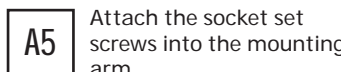
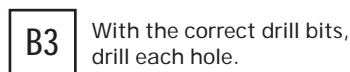
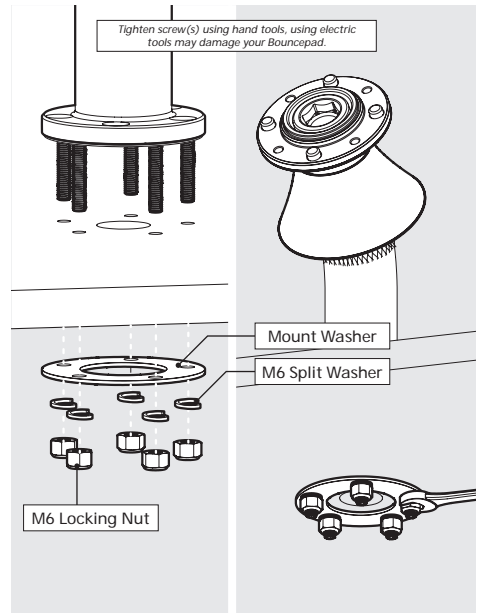
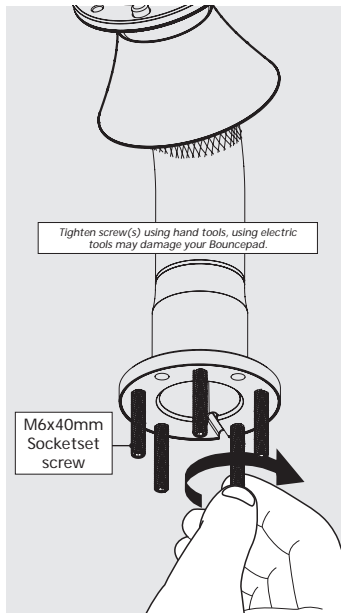
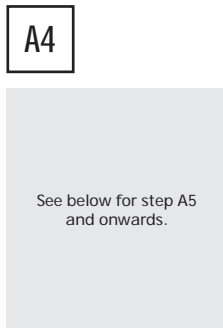
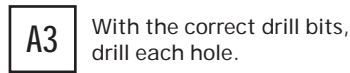
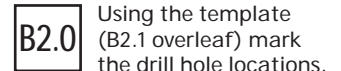
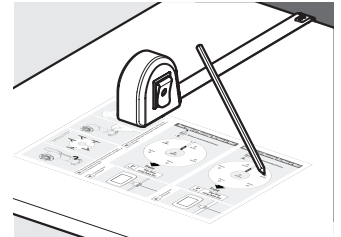
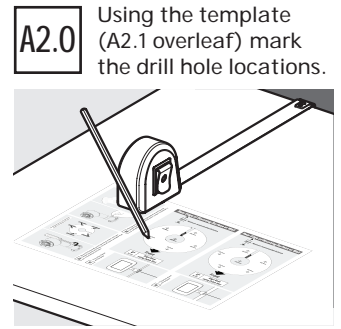
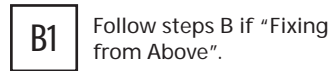
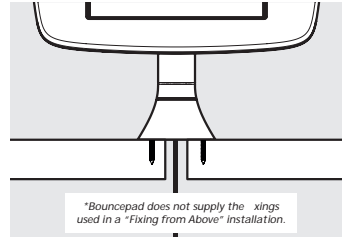
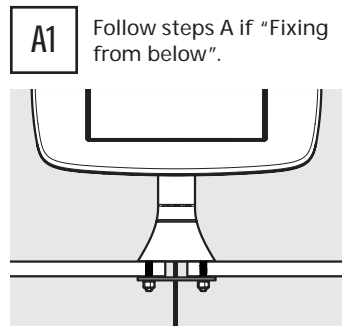
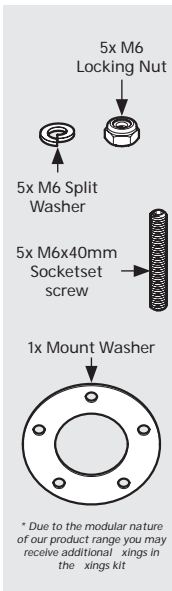
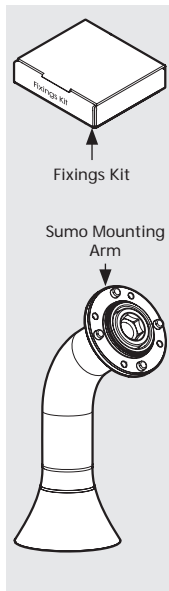
Tools Required:

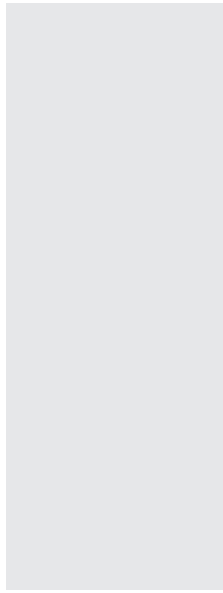
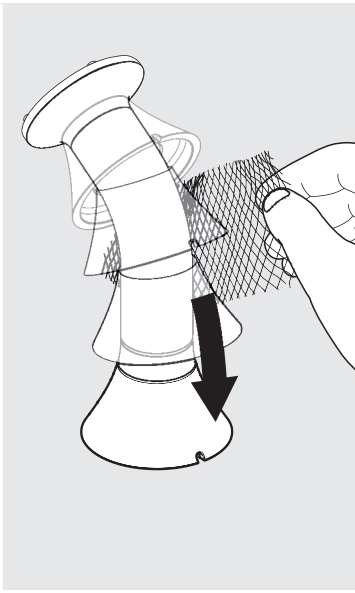
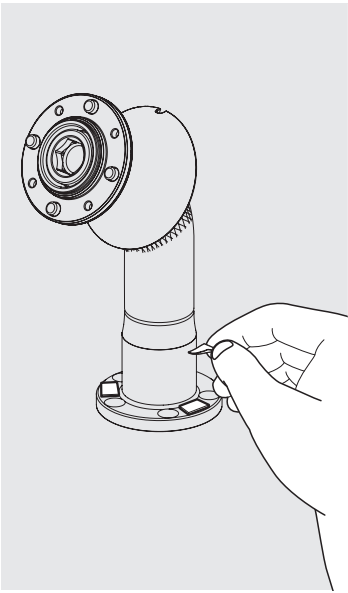
- Pencil
- Drill
- Ø6.0mm Drillbit
- Ø2.5mm Drillbit
- Ø16.0mm Holesaw
- 10mm Spanner **or adjustable spanner*

Sheet Code: BP-IM-055_REVO

Release Date: 01/10/2019

Copyright 2016 Spotspot Ltd. (T/A Bouncepad) all rights reserved. Confidential, no part of this publication may be reproduced or transmitted in any form without the written permission of the copyright holder.

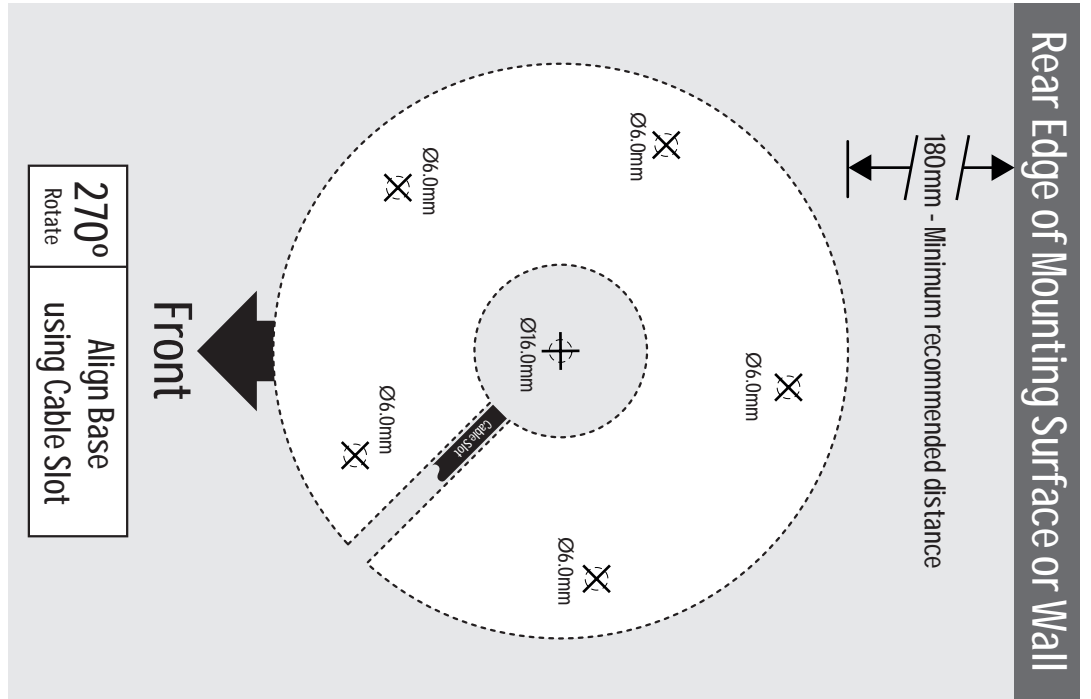
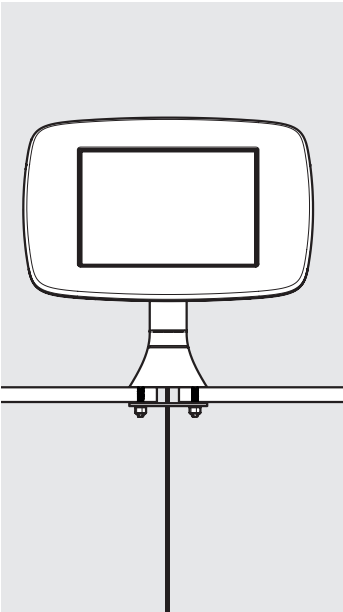




B6 Remove the adhesive backing & protective netting, then locate the Stalk Cover to the mount surface. Installation is complete.

B7 Installation complete.

A2.1 "Fixing from Below" drill template



B2.1 "Fixing from Above" drill template

