



POLE ADAPTOR  
 SUPPLIED  
 FOR EXTENDED  
 CEILING DROPS

# BT899XL

## XL PROJECTOR CEILING MOUNT WITH MICRO-ADJUSTMENT



BT899XL is a universal projector ceiling mount designed to mount projectors up to 25kg. Compatible with B-Tech's System 2 professional range, this mount can be fitted flush to the ceiling or attached to BT7850 Ø50mm poles using the supplied pole adaptor. The Projector Mount is designed with easy adjustment of tilt, roll and swivel and optional micro-adjustment for short throw projectors making this mount the ideal solution for installing heavy duty projectors.

SPECIFICATION	
Max load	25kg
Tilt (Pitch)	+/-13°
Yaw	360°
Roll	+/- 6°
Ceiling drop	99mm
Max distance between fixings	494mm
Colour	Black

### FEATURES

- Can be mounted directly to the ceiling or onto a pole
- Compatible with the System 2 range and 1.5" NPT pipe systems
- Long and short extension legs are supplied to accommodate a large range of fixing patterns up to 494mm
- Pre-assembled for a simple three step installation
- Micro-adjustment for short throw projectors
- Integrated cable management for a smart installation
- Unique 'carousel' mounting plate for universal compatibility
- Security locking screws and Allen key provided for a secure installation
- Suitable for projectors using M2.5, M3, M4, M5 and M6 fixings
- All mounting hardware included



Unique 'carousel' mounting plate for universal compatibility



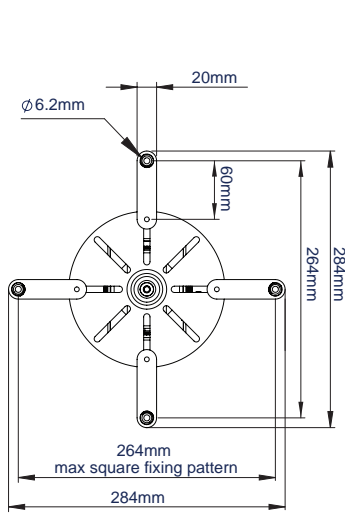
Features easy tilt, roll and swivel functions



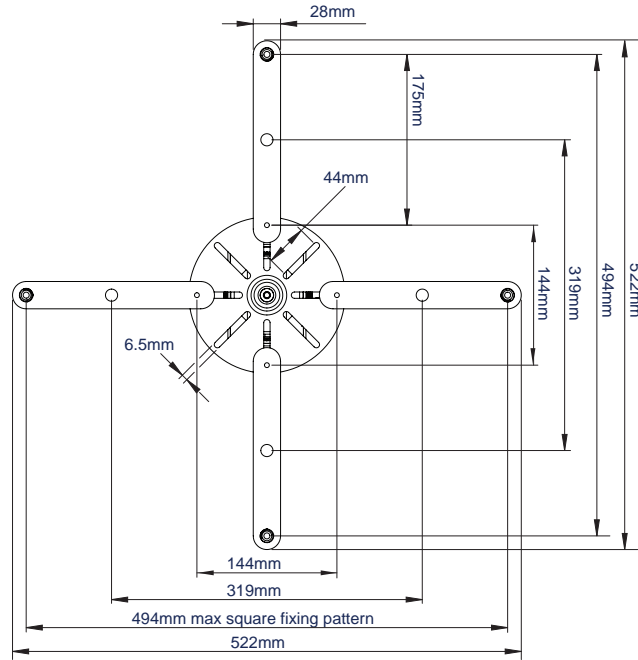
Compatible with B-Tech System 2 poles and ceiling mounts



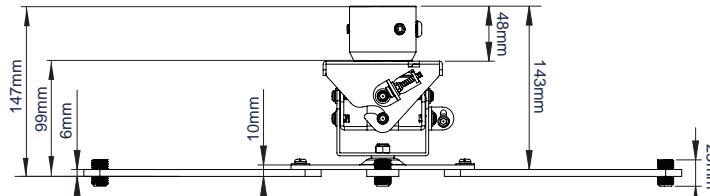
Micro-adjustment feature is ideal for short throw projectors



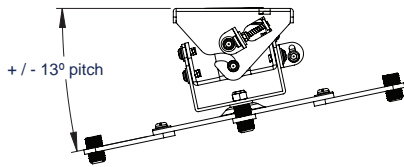
TOP VIEW / CEILING PLATE WITH OPTIONAL SMALL EXTENSION LEGS



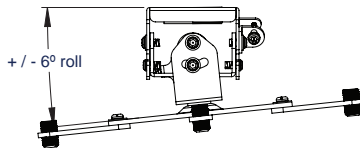
TOP VIEW / CEILING PLATE WITH OPTIONAL LARGE EXTENSION LEGS



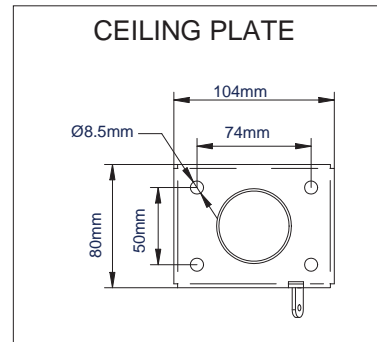
SIDE VIEW / FLAT WITH POLE ADAPTOR ATTACHED



SIDE VIEW / PITCH



FRONT VIEW / ROLL



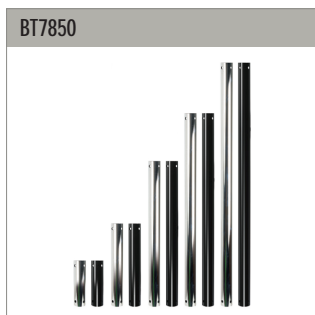
CEILING PLATE

PACKING INFORMATION

COLOUR:	ORDER REF:	EAN CODE:	MASTER CARTON QTY:	INNER CARTON QTY:	MASTER CARTON WEIGHT:	MASTER CARTON CUBE:
Black	BT899XL/B	5019318089657	8	0	11.7kg	0.022cbm

ORIGINAL DESIGNS BY B-TECH AV MOUNTS - REGISTERED DESIGNS & PATENTS APPLY

RELATED PRODUCTS



BT7850  
Ø50mm Poles available in different lengths up to 3m



BT7822  
Ceiling Mount securely fixes Ø50mm poles to the ceiling



BT7808  
Ceiling Mount with Tilt ideal for mounting Ø50mm poles to angled ceilings



BT899  
Projector Ceiling Mount with Micro-Adjustment Maximum distance between fixings 370mm

© 2015 B-Tech Av Mounts. All rights reserved. B-Tech Av Mounts is a registered trademark of B-Tech Av Mounts. All other trademarks are the property of their respective owners. B-Tech Av Mounts is not responsible for any damage caused by misuse or modification of the product. Any reproduction or modification of any part of the product without the written permission of B-Tech Av Mounts is strictly prohibited. B-Tech Av Mounts is not responsible for any damage caused by misuse or modification of the product. Any reproduction or modification of any part of the product without the written permission of B-Tech Av Mounts is strictly prohibited. B-Tech Av Mounts is not responsible for any damage caused by misuse or modification of the product. Any reproduction or modification of any part of the product without the written permission of B-Tech Av Mounts is strictly prohibited.