

## **AXIS Camera Station S22 Appliance Series**

**AXIS Camera Station S2208 Appliance**

**AXIS Camera Station S2212 Appliance**

**AXIS Camera Station S2216 Appliance**

**AXIS Camera Station S2224 Appliance**

## **Installation Guide**

## Read this first

Read through this installation guide carefully before you install the product. Keep the installation guide for future reference.

## Legal considerations

This product is subject to US EAR export control regulations. You should always consult and comply with the regulations of the appropriate export control authorities.

## Liability

Every care has been taken in the preparation of this document. Please inform your local Axis office of any inaccuracies or omissions. Axis Communications AB cannot be held responsible for any technical or typographical errors and reserves the right to make changes to the product and manuals without prior notice. Axis Communications AB makes no warranty of any kind with regard to the material contained within this document, including, but not limited to, the implied warranties of merchantability and fitness for a particular purpose. Axis Communications AB shall not be liable nor responsible for incidental or consequential damages in connection with the furnishing, performance or use of this material. This product is only to be used for its intended purpose.

## Intellectual property rights

Axis AB has intellectual property rights relating to technology embodied in the product described in this document. In particular, and without limitation, these intellectual property rights may include one or more of the patents listed at [axis.com/patent](http://axis.com/patent) and one or more additional patents or pending patent applications in the US and other countries.

## Equipment modifications

This equipment must be installed and used in strict accordance with the instructions given in the user documentation. This equipment contains no user-serviceable components. Unauthorized equipment changes or modifications will invalidate all applicable regulatory certifications and approvals.

## Trademark acknowledgements

AXIS COMMUNICATIONS, AXIS, ARTPEC and VAPIX are registered trademarks of Axis AB in various jurisdictions. All other trademarks are the property of their respective owners.

Microsoft, Windows, the Windows logo, Microsoft Edge, Internet Explorer, DirectX, BitLocker, Intel, Intel Core, Celeron, Pentium, Xeon, Dell, Dell EMC, PowerEdge, Optiplex, NVIDIA, NVIDIA Quadro, DisplayPort, and Bonjour are registered trademarks of the respective holders.

## Regulatory information

### Europe



This product complies with the applicable CE marking directives and harmonized standards:

- Electromagnetic Compatibility (EMC) Directive 2014/30/EU. See *Electromagnetic compatibility (EMC) on page 2*.
- Low Voltage Directive (LVD) 2014/35/EU. See *Safety on page 3*.

- Restriction of Hazardous Substances (RoHS) Directive 2011/65/EU and 2015/863, including any amendments, updates or replacements. See *Disposal and recycling on page 3*.

A copy of the original declaration of conformity may be obtained from Axis Communications AB. See *Contact information on page 4*.

## Electromagnetic compatibility (EMC)

This equipment has been designed and tested to fulfill applicable standards for:

- Radio frequency emission when installed according to the instructions and used in its intended environment.
- Immunity to electrical and electromagnetic phenomena when installed according to the instructions and used in its intended environment.

## USA

This device complies with part 15 of the FCC Rules.

Operation is subject to the following two conditions:

1. This device may not cause harmful interference, and
2. this device must accept any interference received, including interference that may cause undesired operation.

This equipment has been tested using an unshielded network cable (UTP) and found to comply with the limits for a Class A digital device, pursuant to part 15 of the FCC rules. This equipment has also been tested using a shielded network cable (STP) and found to comply with the limits for a Class A digital device, pursuant to part 15 of the FCC rules. These limits are designed to provide reasonable protection against harmful interference when the equipment is operated in a commercial environment. This equipment generates, uses, and can radiate radio frequency energy and, if not installed and used in accordance with the instruction manual, may cause harmful interference to radio communications. Operation of this equipment in a residential area is likely to cause harmful interference in which case the user will be required to correct the interference at his own expense.

## Contact information

Axis Communications Inc.  
300 Apollo Drive  
Chelmsford, MA 01824  
United States of America  
Tel: +1 978 614 2000

## Canada

This digital apparatus complies with CAN ICES-3 (Class A). Cet appareil numérique est conforme à la norme CAN NMB-3 (classe A).

## Europe

This digital equipment fulfills the requirements for RF emission according to the Class A limit of EN 55032. Notice! This is a Class A product. In a domestic environment this product may cause RF interference, in which case the user may be required to take adequate measures.

## Australia/New Zealand

This digital equipment fulfills the requirements for RF emission according to the Class A limit of AS/NZS CISPR 32. Notice! This is a Class A product. In a domestic environment this product may cause RF interference, in which case the user may be required to take adequate measures.

### Japan

この装置は、クラスA機器です。この装置を住宅環境で使用すると電波妨害を引き起こすことがあります。この場合には使用者が適切な対策を講ずることがあります。VCCI-A

### Korea

이 기기는 업무용 환경에서 사용할 목적으로 적합성평가를 받은 기기로서 가정용 환경에서 사용하는 경우 전파간섭의 우려가 있습니다.

### Taiwan

警告：為避免電磁干擾，本產品不應安裝或用於住宅環境。

### Safety

This product complies with IEC/EN/UL 62368-1, safety of audio/video and IT equipment.

The power supply used with this product shall fulfill one of the following requirements:

- Safety Extra Low Voltage (SELV) according to clause 2.2 of IEC/EN/UL 60950-1 and Limited Power Source (LPS) according to clause 2.5 of IEC/EN/UL 60950-1 or CEC/NEC Class 2 source of supply as defined in the Canadian Electrical Code, CSA C22.1 and National Electrical Code, ANSI/NFPA 70
- Class 1 electrical energy source (ES1) and Class 2 power source (PS2) rated output power limited to ≤100 W according to IEC/EN/UL 62368-1

### Korea

제조사: NEXCOM International Co., Ltd. (Hua-Ya Factory)

A/S연락처: 080-543-2100

### Disposal and recycling

When this product has reached the end of its useful life, dispose of it according to local laws and regulations. For information about your nearest designated collection point, contact your local authority responsible for waste disposal. In accordance with local legislation, penalties may be applicable for incorrect disposal of this waste.

### Europe



■ This symbol means that the product shall not be disposed of together with household or commercial waste. Directive 2012/19/EU on waste electrical and electronic equipment (WEEE) is applicable in the European Union member states. To prevent potential harm to human health and the environment, the product must be disposed of in an approved and environmentally safe recycling process. For information about your nearest designated collection point, contact your local authority responsible for waste disposal. Businesses should contact the product supplier for information about how to dispose of this product correctly.

This product complies with the requirements of Directive 2011/65/EU and 2015/863 on the restriction of the use of certain hazardous substances in electrical and electronic equipment (RoHS).

### Taiwan

Declaration of the Presence Condition of the Restricted Substances Marking.

限用物質含有情況標示

設備名稱：安全監控網路錄影機 型號（型式）：AXIS S2208, AXIS S2212						
單元	限用物質及其化學符號					
	鉛 (Pb)	汞 (Hg)	鎘 (Cd)	六價鉻 (Cr <sup>6+</sup> )	多溴聯苯 (PBB)	多溴二苯醚 (PBDE)
電路板	-	○	○	○	○	○
機箱	○	○	○	○	○	○
線材	○	○	○	○	○	○
電源供應器	-	○	○	○	○	○
備考1. “超出0.1 wt %”及“超出0.01 wt %”係指限用物質之百分比含量超出百分比含量基準值。 備考2. “○”係指該項限用物質之百分比含量未超出百分比含量基準值。 備考3. “-”係指該項限用物質為排除項目。						

設備名稱：安全監控網路錄影機 型號（型式）：AXIS S2216, AXIS S2224						
單元	限用物質及其化學符號					
	鉛 (Pb)	汞 (Hg)	鎘 (Cd)	六價鉻 (Cr <sup>6+</sup> )	多溴聯苯 (PBB)	多溴二苯醚 (PBDE)
電路板	-	○	○	○	○	○
機箱	○	○	○	○	○	○
線材	○	○	○	○	○	○

電 源 供 應 器	-	○	○	○	○	○
<p>備考1. “超出0.1 wt %”及“超出0.01 wt %”係指限用物質之百分比含量超出百分比含量基準值。</p> <p>備考2. “○”係指該項限用物質之百分比含量未超出百分比含量基準值。</p> <p>備考3. “-”係指該項限用物質為排除項目。</p>						

商品名稱: 安全監控網路錄影機

報驗義務人名稱: 台灣安迅士網絡通訊股份有限公司

地址: 臺北市內湖區瑞光路258巷39號6樓

### Contact information

Axis Communications AB  
Gränden 1  
223 69 Lund  
Sweden

Tel: +46 46 272 18 00

Fax: +46 46 13 61 30

[axis.com](http://axis.com)

### Warranty information

For information about Axis' product warranty and thereto related information, go to [axis.com/warranty](http://axis.com/warranty).

### Support

#### Learn more!

Visit Axis learning center [axis.com/learning](http://axis.com/learning) for useful trainings, webinars, tutorials and guides.

# English

## Safety information

### Hazard levels

#### **▲DANGER**

Indicates a hazardous situation which, if not avoided, will result in death or serious injury.

#### **▲WARNING**

Indicates a hazardous situation which, if not avoided, could result in death or serious injury.

#### **▲CAUTION**

Indicates a hazardous situation which, if not avoided, could result in minor or moderate injury.

#### **NOTICE**

Indicates a situation which, if not avoided, could result in damage to property.

### Other message levels

#### **Important**

Indicates significant information which is essential for the product to function correctly.

#### **Note**

Indicates useful information which helps in getting the most out of the product.

## Safety instructions

#### **▲WARNING**

Outdoor devices connected to the appliance must be placed on the same building as where the appliance is located. The devices must also be installed so they are protected from lightning strikes, for example under a roof.

#### **NOTICE**

- The Axis product shall be used in compliance with local laws and regulations.
- Store the Axis product in a dry and ventilated environment.
- Use only applicable tools when installing the Axis product. Using excessive force with power tools could cause damage to the product.
- Do not use chemicals, caustic agents, or aerosol cleaners.
- Use a clean cloth dampened with pure water for cleaning.
- Use only accessories that comply with the technical specification of your product. These can be provided by Axis or a third party. Axis recommends using Axis power source equipment compatible with your product.
- Use only spare parts provided by or recommended by Axis.
- Do not attempt to repair the product yourself. Contact Axis support or your Axis reseller for service matters.
- This equipment is not suitable for use in locations where children are likely to be present.
- Suitable for installation in Information Technology Rooms in accordance with Article 645 of the National Electrical Code and NFPA 75.

- Ensure to connect the power cord to a socket-outlet with earthing connection.
- Never open the equipment. For safety reasons, the equipment should be opened only by qualified Skilled person.
- When connecting to the SFP port, use a certified optical transceiver with specification 3.3Vdc, Laser Class I.

### Transportation

#### **NOTICE**

- When transporting the Axis product, use the original packaging or equivalent to prevent damage to the product.

### Battery

The Axis product uses a 3.0 V CR2032 lithium battery as the power supply for its internal real-time clock (RTC). Under normal conditions this battery will last for a minimum of five years.

#### **▲WARNING**

- Risk of explosion if the battery is incorrectly replaced.
- The battery should be replaced with an identical battery only.
- Used batteries should be disposed of according to local regulations or the battery manufacturer's instructions.

#### **▲CAUTION**

Do not replace the battery yourself. Contact Axis support if the log message requests a battery change.

Lithium coin cell 3.0 V batteries contain 1,2-dimethoxyethane; ethylene glycol dimethyl ether (EGDME), CAS no. 110-71-4.

# Français

## Informations sur la sécurité

### Niveaux de risques

#### **▲DANGER**

Indique une situation dangereuse qui, si elle n'est pas évitée, entraînera le décès ou des blessures graves.

#### **▲AVERTISSEMENT**

Indique une situation dangereuse qui, si elle n'est pas évitée, pourrait entraîner le décès ou des blessures graves.

#### **▲ATTENTION**

Indique une situation dangereuse qui, si elle n'est pas évitée, pourrait entraîner des blessures légères ou modérées.

#### **AVIS**

Indique une situation qui, si elle n'est pas évitée, pourrait endommager l'appareil.

### Autres niveaux de message

#### **Important**

Indique les informations importantes, nécessaires pour assurer le bon fonctionnement de l'appareil.

## Remarque

Indique les informations utiles qui permettront d'obtenir le fonctionnement optimal de l'appareil.

## Consignes de sécurité

### ⚠️ AVERTISSEMENT

Les périphériques d'extérieur connectés à l'appareil doivent être placés sur le même bâtiment que l'appareil. Les périphériques doivent également être installés de sorte à être protégés de la foudre, par exemple sous un toit.

### AVIS

- Le produit Axis doit être utilisé conformément aux lois et règlements locaux.
- Conserver ce produit Axis dans un environnement sec et ventilé.
- Utiliser uniquement des outils recommandés pour l'installation de l'appareil Axis. L'application d'une force excessive sur l'appareil avec des outils puissants pourrait l'endommager.
- Ne pas utiliser de produits chimiques, de substances caustiques ou de nettoyeurs pressurisés.
- Utiliser un chiffon propre imbibé d'eau pure pour le nettoyage.
- Utiliser uniquement des accessoires conformes aux caractéristiques techniques de votre produit. Ils peuvent être fournis par Axis ou un tiers. Axis recommande d'utiliser un équipement d'alimentation Axis compatible avec votre produit.
- Utiliser uniquement les pièces de rechange fournies ou recommandées par Axis.
- Ne pas essayer de réparer vous-même ce produit. Contacter l'assistance technique d'Axis ou votre revendeur Axis pour des problèmes liés à l'entretien.
- Cet appareil ne convient pas à une utilisation dans des endroits où des enfants peuvent être présents.
- Convient à une installation dans les salles informatiques conformément à l'Article 645 du Code national de l'électricité (« National Electrical Code »), NFPA 75.
- Veillez à brancher le cordon d'alimentation à une prise de courant avec mise à la terre.
- Ne jamais ouvrir l'équipement. Pour des raisons de sécurité, seul un personnel qualifié est autorisé à ouvrir l'équipement.
- Lors de la connexion au port SFP, utilisez un émetteur-récepteur optique certifié de catégorie 1 avec une tension nominale de 3,3 V CC.

## Transport

### AVIS

- Lors du transport du produit Axis, utilisez l'emballage d'origine ou un équivalent pour éviter d'endommager le produit.

## Batterie

Le produit Axis utilise une batterie au lithium CR2032 3,0 V comme alimentation de son horloge en temps réel interne (RTC). Dans des conditions normales, cette batterie a une durée de vie minimale de cinq ans.

### ⚠️ AVERTISSEMENT

- Risque d'explosion si la batterie est remplacée de façon incorrecte.
- La batterie doit être remplacée par une batterie identique uniquement.

- Les batteries usagées doivent être mises au rebut conformément aux réglementations locales ou aux instructions du fabricant de la batterie.

### ⚠️ ATTENTION

Ne remplacez pas la batterie vous-même. Contactez le support Axis si le message du journal demande un changement de batterie.

Les piles boutons 3,0 V au lithium contiennent du 1,2-diméthoxyéthane, éthylène glycol diméthyl éther (EGDME), CAS n° 110-71-4.

## Deutsch

## Sicherheitsinformationen

### Gefährdungsstufen

#### ⚠️ GEFAHR

Weist auf eine gefährliche Situation hin, welche, falls nicht verhindert, zu Tod oder schweren Verletzungen führen kann.

#### ⚠️ WARNUNG

Weist auf eine gefährliche Situation hin, welche, falls nicht verhindert, zu Tod oder schweren Verletzungen führen kann.

#### ⚠️ VORSICHT

Weist auf eine gefährliche Situation hin, welche, falls nicht verhindert, zu geringfügiger oder mäßiger Verletzung führen kann.

#### HINWEIS

Weist auf eine gefährliche Situation hin, welche, falls nicht verhindert, zu Sachschäden führen kann.

## Andere Meldeebenen

### Wichtig

Weist auf wichtige Informationen hin, die den richtigen Betrieb des Produkts gewährleisten.

### Hinweis

Weist auf nützliche Informationen hin, die die optimale Verwendung des Produkts unterstützen.

## Sicherheitsanweisungen

### ⚠️ WARNUNG

Geräte im Außenbereich müssen sich auf demselben Gebäude befinden, in dem die Vorrichtung installiert ist. Die Geräte müssen vor Blitzschlag geschützt installiert werden, also zum Beispiel unter einem entsprechend geschützten Dach.

### HINWEIS

- Das Axis Produkt muss unter Beachtung der geltenden Gesetze und Bestimmungen betrieben werden.
- Lagern Sie das Axis Produkt in einer trockenen und belüfteten Umgebung.
- Verwenden Sie bei der Installation des Axis Produkts ausschließlich passende Werkzeuge. Ein zu großer Kraftaufwand mit elektrischen Werkzeugen kann das Produkt beschädigen.

- Verwenden Sie keine chemischen, ätzenden oder aerosolhaltigen Reinigungsmittel.
- Verwenden Sie zum Reinigen ein sauberes, mit destilliertem Wasser angefeuchtetes Tuch.
- Verwenden Sie nur Zubehör, das den technischen Vorgaben Ihres Produkts entspricht. Dieses ist von Axis oder Drittanbietern erhältlich. Axis empfiehlt die mit Ihrem Produkt kompatible Stromversorgung von Axis.
- Verwenden Sie ausschließlich Ersatzteile die von Axis angeboten und empfohlen werden.
- Versuchen Sie nicht, dieses Produkt selbsttätig zu reparieren. Wenden Sie sich bezüglich Reparatur und Wartung an den Axis Support oder Ihren Axis Händler.
- Dieses Gerät ist nicht für die Verwendung an Orten geeignet, an denen sich möglicherweise Kinder aufhalten.
- Geeignet für die Installation in IT-Räumen gemäß Artikel 645 der nationalen Elektrizitätsrichtlinie und NFPA 75.
- Sicherstellen, dass das andere Ende des Stromkabels an eine geerdete Steckdose angeschlossen wird.
- Niemals das Gehäuse öffnen. Aus Sicherheitsgründen darf die Ausrüstung nur von Personen mit entsprechender Sach- und Fachkunde geöffnet werden.
- Beim Anschließen an einen SFP-Port, einen zugelassenen optischen Sender-Empfänger des Typs 3.3Vdc, Laserklasse I verwenden.

#### Transport

#### **HINWEIS**

- Bei Bedarf transportieren Sie das Axis Produkt in der Originalverpackung oder einer entsprechenden Verpackung, so dass Schäden vermieden werden.

#### Batterie

Das Axis Produkt ist mit einer 3,0 V-CR2032-Lithium-Batterie ausgestattet, mit der die interne Echtzeituhr (RTC) versorgt wird. Unter normalen Bedingungen hat die Batterie eine Lebensdauer von mindestens fünf Jahren.

#### **⚠️ WARNUNG**

- Explosionsgefahr bei fehlerhaftem Batteriewechsel.
- Die Batterie darf nur durch eine identische Batterie ersetzt werden.
- Verbrauchte Batterien gemäß den örtlichen Vorschriften oder den Anweisungen des Herstellers entsorgen.

#### **⚠️ VORSICHT**

Tauschen Sie die Batterie nicht selbst aus. Wenden Sie sich an den Axis Support, wenn die Protokollnachricht einen Batterietausch anfordert.

Lithium-Knopfzellen (3,0 V) enthalten 1,2-Dimethoxyethan; Ethylenglycoldimethylether (EGDME), CAS-Nr. 110-71-4.

## Informazioni di sicurezza

### Livelli di pericolo

#### **⚠️ PERICOLO**

Indica una situazione pericolosa che, se non evitata, provoca morte o lesioni gravi.

#### **⚠️ AVVISO**

Indica una situazione pericolosa che, se non evitata, potrebbe provocare la morte o lesioni gravi.

#### **⚠️ ATTENZIONE**

Indica una situazione pericolosa che, se non evitata, potrebbe provocare lesioni medie o minori.

#### **AWISO**

Indica una situazione che, se non evitata, potrebbe danneggiare la proprietà.

### Altri livelli di messaggio

#### Importante

Indica informazioni importanti, essenziali per il corretto funzionamento del dispositivo.

#### Nota

Indica informazioni utili che aiutano a ottenere il massimo dal dispositivo.

### Informazioni di sicurezza

#### **⚠️ AVVISO**

I dispositivi esterni connessi all'apparecchio devono essere posizionati sullo stesso edificio in cui si trova l'apparecchio. I dispositivi devono essere inoltre installati in modo da essere protetti da fulmini, ad esempio sotto un tetto.

#### **AWISO**

- Il dispositivo Axis deve essere utilizzato in conformità alle leggi e alle normative locali.
- Conservare il dispositivo Axis in un ambiente asciutto e ventilato.
- Utilizzare solo strumenti applicabili quando si installa il dispositivo Axis. Se si utilizza una forza eccessiva con strumenti non adatti è possibile causare danni al dispositivo.
- Non utilizzare sostanze chimiche, agenti caustici o detergenti aerosol.
- Utilizzare un panno pulito inumidito in acqua pura per la pulizia.
- Utilizzare solo accessori compatibili con le specifiche tecniche del dispositivo. Questi possono essere forniti da Axis o da terze parti. Axis consiglia l'uso dell'apparecchiatura di alimentazione Axis compatibile con il dispositivo.
- Utilizzare solo parti di ricambio fornite o consigliate da Axis.
- Non tentare di riparare il dispositivo da soli. Contattare l'assistenza o il rivenditore Axis per questioni relative alla manutenzione.
- Questo dispositivo non è adatto per l'uso in luoghi in cui potrebbero essere presenti bambini.
- Adatto per installazioni in locali informatici in conformità all'articolo 645 del National Electrical Code e del codice NFPA 75.

- Verificare di aver collegato il cavo di alimentazione alla presa di corrente con collegamento di messa a terra.
- Non aprire mai il dispositivo. Per motivi di sicurezza, il dispositivo deve essere aperto solo da persona esperta qualificata.
- Quando si collega la porta SFP, è possibile utilizzare un dispositivo ricetrasmittitore ottico certificato con specifiche 3,3 V CC, Laser classe I.

#### Trasporto

#### **AVISO**

- Durante il trasporto del dispositivo Axis, utilizzare l'imballaggio originale o equivalente per evitare danni al dispositivo.

#### Batteria

Il dispositivo Axis utilizza una batteria al litio da 3 V CR2032 come alimentazione per il suo orologio in tempo reale (RTC) interno. In condizioni normali questa batteria avrà una durata minima di cinque anni.

#### **AVVISO**

- Rischio di esplosione se la batteria viene sostituita in modo errato.
- La batteria può essere sostituita solo con una batteria identica.
- Le batterie esaurite devono essere smaltite in base alle normative locali o alle istruzioni del produttore della batteria.

#### **ATTENZIONE**

Non sostituire la batteria da soli. Contattare l'assistenza di Axis se il messaggio di registro richiede una sostituzione della batteria.

Le batterie a bottone al litio da 3 V contengono 1,2-dimetossietano; etere dimetilico di glicole etilenico (EGDME), CAS n. 110-71-4.

## Español

### Información de seguridad

#### Niveles de peligro

#### **PELIGRO**

Indica una situación peligrosa que, si no se evita, provocará lesiones graves o la muerte.

#### **ADVERTENCIA**

Indica una situación peligrosa que, si no se evita, puede provocar lesiones graves o la muerte.

#### **PRECAUCIÓN**

Indica una situación peligrosa que, si no se evita, puede provocar lesiones moderadas o leves.

#### **AVISO**

Indica una situación peligrosa que, si no se evita, puede provocar daños materiales.

#### Otros niveles de mensaje

#### Importante

Indica información importante que es fundamental para que el producto funcione correctamente.

#### Nota

Indica información útil que ayuda a aprovechar el producto al máximo.

### Instrucciones de seguridad

#### **ADVERTENCIA**

Los dispositivos de exterior conectados al aparato se deben colocar en el mismo edificio en el que se encuentre el aparato. Los dispositivos también deben instalarse de manera que estén protegidos de los rayos, por ejemplo, bajo un tejado.

#### **AVISO**

- Este producto de Axis debe utilizarse de acuerdo con las leyes y normativas locales.
- Almacene el producto de Axis en un entorno seco y ventilado.
- Utilice solo las herramientas correspondientes cuando instale el producto de Axis. La aplicación de una fuerza excesiva con herramientas eléctricas puede provocar daños en el producto.
- No utilice limpiadores en aerosol, agentes cáusticos ni productos químicos.
- Limpie con un paño limpio humedecido con agua pura.
- Utilice solo accesorios que cumplan con las especificaciones técnicas de su producto. Estos accesorios los puede proporcionar Axis o un tercero. Axis recomienda utilizar un equipo de suministro de alimentación de Axis compatible con su producto.
- Utilice solo piezas de repuesto proporcionadas o recomendadas por Axis.
- No intente reparar el producto usted mismo. Póngase en contacto con el servicio de asistencia técnica de Axis o con su distribuidor de Axis para tratar asuntos de reparación.
- Este equipo no es adecuado para su uso en lugares donde es probable que haya presencia de niños.
- Adecuado para la instalación en salas de tecnología de la información, de conformidad con el artículo 645 del Código Eléctrico Nacional y la NFPA 75.
- Asegúrese de conectar el cable de alimentación a una toma de corriente con conexión a tierra.
- Nunca abra el equipo. Por motivos de seguridad, solo el personal formado y cualificado debe abrir el equipo.
- Al conectar al puerto SFP, utilice un transceptor óptico certificado con especificación 3,3 V CC, láser Clase I.

#### Transporte

#### **AVISO**

- Cuando transporte el producto de Axis, utilice el embalaje original o un equivalente para evitar daños en el producto.

#### Batería

Este producto de Axis utiliza una batería de litio CR2032 de 3,0 V como fuente de alimentación del reloj interno en tiempo real. En condiciones normales, esta batería durará un mínimo de cinco años.

#### **ADVERTENCIA**

- La sustitución incorrecta de la batería implica riesgo de explosión.
- La batería solo debe sustituirse por una batería idéntica.



- Las baterías usadas deben desecharse de conformidad con la normativa local o las instrucciones del fabricante.

## ▲PRECAUCIÓN

No sustituya la batería usted mismo. Póngase en contacto con el servicio de asistencia técnica de Axis si el mensaje de registro solicita un cambio de batería.

Las pilas de botón de litio de 3,0 V contienen 1,2-dimetoxietano; éter dimetilico de etilenglicol (EGDME), n.º CAS 110-71-4.

## 日本語

### 安全情報

#### 危険レベル

#### ▲危険

回避しない場合、死亡または重傷につながる危険な状態を示します。

#### ▲警告

回避しない場合、死亡または重傷につながるおそれのある危険な状態を示します。

#### ▲注意

回避しない場合、軽傷または中程度の怪我につながるおそれのある危険な状態を示します。

#### 注意

回避しない場合、器物の破損につながるおそれのある状態を示します。

#### その他のメッセージレベル

#### 重要

製品を正しく機能させるために不可欠な重要情報を示します。

#### 注

製品を最大限に活用するために役立つ有用な情報を示します。

#### 安全手順

#### ▲警告

本製品に接続される屋外用デバイスは、製品が設置されている同じ建物に配置する必要があります。また、落雷から保護するためにデバイスを屋根の下などに設置する必要があります。

#### 注意

- 本製品は、お使いになる地域の法律や規制に準拠して使用してください。
- 本製品は乾燥した換気の良い環境に保管してください。
- 本製品を設置するには、適切な工具のみを使用してください。電動工具を使用して過剰な力をかけると、製品が損傷することがあります。
- 化学薬品、腐食剤、噴霧式クリーナーは使用しないでください。
- 清掃には、きれいな水に浸した清潔な布を使用してください。

- 製品の技術仕様に準拠したアクセサリのみを使用してください。これらのアクセサリは、Axisまたはサードパーティから入手できます。Axisは、ご使用の製品と互換性のあるAxis給電ネットワークスイッチの使用を推奨します。
- Axisが提供または推奨する交換部品のみを使用してください。
- 製品を自分で修理しないでください。修理については、Axisサポートまたは販売代理店にお問い合わせください。
- 本製品は、お様がいらっしゃる可能性のある場所での使用に適していません。
- 米国電気工事規定およびNFPA 75のArticle 645に準拠した情報技術ルームでの設置に適しています。
- 電源ケーブルをアース接続のあるコンセントに接続していることを確認してください。
- 本装置を絶対に開けないでください。安全上の理由から、本装置はスキルを備えた有資格者だけが開けるようにしてください。
- SFPポートに接続する場合は、認定済みの光学トランシーバー（仕様は3.3V DC、レーザークラスI）を使用します。

#### 輸送

#### 注意

- 本製品を運搬する際は、製品が損傷しないよう、元の梱包が同等の梱包を使用してください。

#### バッテリー

本製品は、内部リアルタイムクロック (RTC) 用電源として、3.0V CR2032リチウムバッテリーを使用します。このバッテリーは、通常条件下で最低5年間使用できます。

#### ▲警告

- バッテリーは、正しく交換しないと爆発する危険があります。
- バッテリーを交換する場合は、同一品のみを使用してください。
- 使用済みバッテリーは、地域の規制またはバッテリーメーカーの指示に従って廃棄してください。

#### ▲注意

自分でバッテリーを交換しないでください。バッテリー交換を求めるログメッセージが表示された場合は、Axisサポートにお問い合わせください。

リチウムコイン型3.0V電池は、1,2-ジメトキシエタン (エチレングリコールジメチルエーテル (EGDME)、CAS番号110-71-4) を含有しています。

## Português

### Informações sobre segurança

#### Níveis de perigo

#### ▲PERIGO

Indica uma situação perigosa que, se não evitada, irá resultar em morte ou lesões graves.

## **⚠️ AVISO**

Indica uma situação perigosa que, se não evitada, poderá resultar em morte ou lesões graves.

## **⚠️ CUIDADO**

Indica uma situação perigosa que, se não evitada, poderá resultar em lesões leves ou moderadas.

## **🔍 OBSERVAÇÃO**

Indica uma situação perigosa que, se não evitada, poderá resultar em danos à propriedade.

### **Outros níveis de mensagens**

#### **Importante**

Indica informações significativas que são essenciais para o produto funcionar corretamente.

#### **Observação**

Indica informações úteis que ajudam a obter o máximo do produto.

### **Instruções de segurança**

## **⚠️ AVISO**

Dispositivos externos conectados ao dispositivo deverão ser colocados no mesmo prédio em que o dispositivo está localizado. Os dispositivos também devem ser instalados de modo a permanecer protegidos contra raios, por exemplo, sob um telhado.

## **🔍 OBSERVAÇÃO**

- O produto Axis deve ser usado em conformidade com as leis e regulamentações locais.
- Armazene o produto Axis em um ambiente seco e ventilado.
- Use apenas as ferramentas recomendadas ao instalar o produto Axis. O uso de força excessiva com ferramentas elétricas poderia danificar o produto.
- Não use produtos químicos, agentes cáusticos ou limpadores aerossóis.
- Use um pano limpo úmido para limpar o produto.
- Utilize apenas acessórios que atendam às especificações técnicas do produto. Esses poderão ser fornecidos pela Axis ou por terceiros. A Axis recomenda usar equipamento de fonte de alimentação Axis compatível com seu produto.
- Utilize apenas peças sobressalentes fornecidas ou recomendadas pela Axis.
- Não tente reparar o produto por conta própria. Entre em contato com o suporte ou seu revendedor Axis para quaisquer questões relacionadas a serviços.
- Este equipamento não é adequado para uso em locais com possível presença de crianças.
- Ele é indicado para instalação em salas de tecnologia da informação de acordo com o Artigo 645 do Código Elétrico Nacional (EUA) e NFPA 75.
- Certifique-se de conectar o cabo de alimentação a uma tomada com conexão de aterramento.
- Nunca abra o equipamento. Por questões de segurança, o equipamento deve ser aberto somente por pessoas qualificadas especializadas.
- Ao conectar à porta SFP, use um transceptor óptico certificado com especificação 3, 3VCC, Laser Classe I.

### **Transporte**

## **🔍 OBSERVAÇÃO**

- Ao transportar o produto Axis, use a embalagem original ou equivalente para evitar danos ao produto.

### **Bateria**

Este produto Axis usa uma bateria de lítio CR2032 de 3,0 V como fonte de alimentação para seu relógio interno de tempo real (RTC). Em condições normais, a vida útil mínima desta bateria é de cinco anos.

## **⚠️ AVISO**

- A troca incorreta da bateria poderá representar risco de explosão.
- A bateria deve ser substituída somente por uma bateria idêntica.
- Baterias usadas devem ser descartadas de acordo com as regulamentações locais ou as instruções do fabricante da bateria.

## **⚠️ CUIDADO**

Não substitua a bateria por conta própria. Entre em contato com o suporte da Axis se a mensagem do log solicitar uma substituição de bateria.

As baterias tipo célula de íons de lítio de 3,0 V contêm 1,2-dimetoxietano; etileno glicol éter dimetilico (EGDME), nº CAS 110-71-4.

## **РУССКИЙ**

### **Сведения по безопасности**

#### **Уровни опасности**

## **⚠️ ОПАСНО**

Опасная ситуация, которая, если ее не устранить, приведет к смерти или опасным травмам.

## **⚠️ ВНИМАНИЕ!**

Опасная ситуация, которая, если ее не устранить, может привести к смерти или опасным травмам.

## **⚠️ ОСТОРОЖНО**

Опасная ситуация, которая, если ее не устранить, может привести к травмам незначительной или средней тяжести.

## **📝 ПРИМЕЧАНИЕ.**

Опасная ситуация, которая, если ее не устранить, может вызвать повреждение имущества.

### **Прочие уведомления**

#### **Важно!**

Означает существенную информацию, которая важна для правильной работы изделия.

#### **Примечание.**

Означает полезную информацию, которая помогает использовать все возможности изделия.

### **Правила безопасности**

## **⚠️ ВНИМАНИЕ!**

Работающее на открытом воздухе оборудование, подключаемое к устройству, должно устанавливаться на то же здание, внутри которого находится устройство. Оборудование необходимо устанавливать таким образом, чтобы оно было защищено от ударов молнии (например, под крышей).

#### **ПРИМЕЧАНИЕ.**

- Это изделие Axis следует использовать в соответствии с местными законами и нормативами.
- Устройство Axis должно храниться в сухом, хорошо проветриваемом помещении.
- При установке устройства Axis используйте только предназначенные для этого инструменты. Приложение чрезмерных усилий к инструментам может привести к повреждению устройства.
- Не используйте химикалии, едкие вещества или аэрозольные очистители.
- Для очистки используйте чистую ткань, смоченную чистой водой.
- Используйте только принадлежности, которые соответствуют техническим характеристикам данного устройства. Они могут поставляться компанией Axis или сторонним производителем. Компания Axis рекомендует использовать блоки питания Axis, совместимые с устройством.
- Используйте только запасные части, поставляемые или рекомендованные компанией Axis.
- Не пытайтесь отремонтировать устройство самостоятельно. По вопросам обслуживания обращайтесь в службу поддержки Axis или к своему реселлеру Axis.
- Данное оборудование не подходит для применения в местах возможного присутствия детей.
- Подходит для установки в помещениях для оборудования информационных технологий в соответствии со статьей 645 Национальных правил эксплуатации электроустановок и NFPA 75.
- Шнур питания должен быть подключен к розетке с заземляющим контактом.
- Никогда не открывайте оборудование. По соображениям безопасности оборудование должно открываться только опытным, квалифицированным специалистом.
- При подключении к порту SFP используйте сертифицированный оптический приемопередатчик с напряжением питания 3,3 В пост. тока, соответствующий классу I лазерной безопасности.

#### **Транспортировка**

##### **ПРИМЕЧАНИЕ.**

- При транспортировке устройства Axis используйте оригинальную упаковку или ее эквивалент во избежание повреждения изделия.

#### **Батарея**

В качестве источника питания для внутренних часов реального времени в этом устройстве Axis используется литиевая батарея CR2032 с напряжением 3 В. При нормальных условиях эта батарея способна работать не менее пяти лет.

##### **ВНИМАНИЕ!**

- При неправильной замене батареи возможен взрыв.
- Замену следует проводить только на идентичную батарею.
- Утилизация использованных батарей должна выполняться в соответствии с местными нормативными требованиями или указаниями производителя батарей.

#### **ОСТОРОЖНО**

Не заменяйте батарею самостоятельно. Если сообщение журнала содержит запрос на замену батареи, обратитесь в службу поддержки Axis.

Плоские литиевые батареи (3,0 В) содержат 1,2-диметоксизтан — диметилловый эфир этиленгликоля (EGDME), CAS № 110-71-4.

## 中文

### **安全信息 危险等级**

#### **危险**

表示如果不避免则会导致死亡或严重伤害的危险情况。

#### **警告**

表示如果不避免则可能导致死亡或严重伤害的危险情况。

#### **警示**

表示如果不避免则可能导致轻微或中度伤害的危险情况。

#### **注意**

表示如果不避免则可能导致财产损失的情况。

### **其他消息等级**

#### **重要**

表示产品正常工作所必需的重要信息。

#### **注**

表示有助于充分利用产品的有用信息。

### **安全说明**

#### **警告**

连接到装置的室外设备必须放置在装置所在的同一建筑物上。另外还必须安装设备，以防止其被雷击，例如，安装在屋顶下。

#### **注意**

- 使用 Axis 产品时应遵守当地法律和法规。
- 在干燥通风的环境中存放 Axis 产品。
- 安装 Axis 产品时，仅使用适用的工具。使用电动工具过度施力可能导致产品损坏。
- 请勿使用化学品、腐蚀性或气雾剂。
- 使用蘸纯净水的干净布进行清洁。
- 仅使用符合产品技术规格的附件。这些附件可由 Axis 或第三方提供。Axis 推荐使用与产品兼容的 Axis 电源设备。
- 仅使用 Axis 提供或推荐的备件。
- 请勿尝试自行维修产品。有关服务事项，请联系 Axis 支持部门或 Axis 经销商。

- 此设备不适合用于儿童可能出现的位置。
- 适合按照国家电气规范第 645 条和 NFPA 75 安装在劳技室内。
- 确保将电源线连接至具有接地连接的插座。
- 切勿打开设备。出于安全原因，应该仅由经验丰富的合格人员打开设备。
- 在连接到 SFP 端口时，请使用符合规范 3.3Vdc、激光等级为 I 的通过认证的光收发器。

## 运输

### 注意

- 安讯士产品运输途中，应使用其原包装或等效包装，以防对产品造成损坏。

## 电池

安讯士产品使用 3.0 V CR2032 锂电池作为其内部实时时钟 (RTC) 的电源。在正常情况下，此电池将持续至少五年。

### 警告

- 如果未正确更换电池，则存在爆炸危险。
- 仅应更换上同型号的电池。
- 应根据当地法规或电池制造商的说明处理废电池。

### 警告

请勿自行更换电池。如果日志消息要求更换电池，请联系安讯士支持部门。

3.0 V 纽扣锂电池内含 1,2-二甲氧基乙烷；乙二醇二甲醚 (EGDME)，CAS 编号为 110-71-4。

# 한국어

## 안전 정보

### 위험 레벨

#### ▲ 위험

피하지 못한 경우 사망이나 심각한 부상이 발생하는 위험한 상황을 나타냅니다.

#### ▲ 경고

피하지 못한 경우 사망이나 심각한 부상이 발생할 수 있는 위험한 상황을 나타냅니다.

#### ▲ 주의

피하지 못한 경우 경미하거나 심하지 않은 부상이 발생할 수 있는 위험한 상황을 나타냅니다.

## 통지

피하지 못한 경우 재산상 손해가 발생할 수 있는 상황을 나타냅니다.

## 기타 메시지 레벨

### 중요 사항

제품이 올바르게 작동하는 데 필수적인 중요 정보를 나타냅니다.

### 참고

제품을 최대한으로 활용하는 데 도움이 되는 유용한 정보를 나타냅니다.

## 안전 지침

### ▲ 경고

기기에 연결된 실외 장치들은 반드시 연결되어 있는 기기와 같은 건물에 위치해야 합니다. 지붕 장소에 이 장치들을 설치해야 합니다.

## 통지

- Axis 제품을 해당 지역 법률 및 규정을 준수하여 사용해야 합니다.
- Axis 제품은 건조하고 환기가 잘 되는 곳에 보관하십시오.
- Axis 제품을 설치할 경우 해당 도구나 사용하면 심하게 손상될 수 있습니다. 전동 공구로 과도한 힘을 사용하면 제품에 손상을 줄 수 있습니다.
- 화학 물질, 부식제, 에어로졸 세척제를 사용하지 마십시오.
- 깨끗한 물에 적신 깨끗한 천을 사용하여 닦으십시오.
- 제품의 기술적 사양을 준수하는 액세서리만 사용하십시오. 이러한 액세서리는 Axis 또는 제 3자가 제공할 수 있습니다. Axis는 귀하의 제품과 호환되는 Axis 전원 장비 사용을 권합니다.
- Axis가 공급하거나 추천하는 예비 부품만 사용하십시오.
- 제품을 직접 수리하려고 하지 마십시오. 서비스 문제를 대해 Axis 지원 부서 또는 Axis 리셀러에 문의하십시오.
- 이 장비는 어린이가 접근할 수 있는 곳에서 사용하기에 적합하지 않습니다.
- 미국 전기법 645항 및 NFPA 75에 따라 IT 관련 공간에 설치하는 것이 좋습니다.
- 접지 연결이 있는 콘센트에 전원 코드를 연결하십시오.
- 절대로 해당 장비를 개봉하지 마십시오. 안절정사의 이유로 해당 장비는 반드시 숙련된 사람이 개봉해야 합니다.
- SFP 포트에 연결할 때 인증된 3.3Vdc 및 레이저 클래스 1 사양의 광 트랜스시버를 사용하십시오.

## 운반

### 통지

- Axis 제품을 운반할 때는 원래 포장이나 이에 준하는 포장을 사용해 제품이 손상되지 않도록 하십시오.

## 배터리

Axis 제품은 3.0V CR2032 리튬 배터리를 내부 RTC(real-time clock)의 전원으로 사용합니다. 정상 조건에서 이 배터리는 최소 5년간 사용할 수 있습니다.

### ▲ 경고

- 배터리를 올바르게 교체하지 않으면 폭발 위험이 있습니다.
- 배터리는 동일한 배터리로만 교체해야 합니다.
- 사용한 배터리는 해당 지역 규정 또는 배터리 제조업체의 지침에 따라 폐기하십시오.

### ▲ 주의

배터리를 직접 교체하지 마십시오. 로그 메시지가 배터리 교체를 요청하면 Axis 지원 센터에 문의하십시오.

리튬 코인 셀 3.0V 배터리는 1,2-디메톡시에탄, EGDME(ethylene glycol dimethyl ether), CAS no. 110-71-4를 포함하고 있습니다.

# 繁體中文

## 安全資訊

### 危險等級

#### ▲危險

表示如果不避免，此危險情況會導致死亡或嚴重傷害。

#### ▲警告

表示如果不避免，此危險情況可能導致死亡或嚴重傷害。

#### ▲小心

表示如果不避免，此危險情況可能導致輕度或中度傷害。

#### 注意

表示如果不避免，此情況可能導致財產損壞。

### 其他訊息等級

#### 重要

表示是產品正常運作所不可缺少的重要資訊。

#### 備註

表示是能充分發揮產品功能的實用資訊。

### 安全指示

#### ▲警告

連線到應用裝置的戶外裝置必須跟應用裝置一樣，放置於同一建築物內。裝置的安裝也必須能防止雷擊，例如安裝於屋頂下。

#### 注意

- 使用 Axis 產品時，應符合當地法律及法規。
- 請將 Axis 產品存放在乾燥且通風良好的環境中。
- 安裝 Axis 產品時，僅可使用適合的工具。使用電動工具時，過度施力可能會造成產品損壞。
- 請勿使用化學品、鹼劑或噴霧清潔劑。
- 使用以純水沾濕的乾淨布料進行清潔。
- 所有配件必須符合產品的技術規格。可由 Axis 或第三方供應商提供。Axis 建議使用相容於產品的 Axis 電源設備。
- 只使用 Axis 提供或推薦的備用零件。
- 請勿嘗試自行修理產品。請向 Axis 技術支援人員或 Axis 經銷商洽詢維修事宜。
- 本設備不適用於兒童可能在場的位置。
- 根據美國電氣法規第 645 條與 NFPA 75 的規定，適用於安裝於資訊科技機房。
- 請確定將電源線連接至接地的電源插座。
- 切勿拆開設備。僅應由技術熟練的合格人員拆開設備，以策安全。
- 連接至 SFP 連接埠時，請使用規格 3.3Vdc、雷射等級 I 的認證光纖收發器。

### 運輸

#### 注意

- 當運送安訊士產品時，請使用原包裝或有相同保護效果的包裝，以防止產品損壞。

### 電池

本 Axis 產品使用一顆 3.0 V CR2032 鋰電池做為其內建即時時鐘 (RTC) 的電源。在一般情況下，此電池可使用五年以上。

#### ▲警告

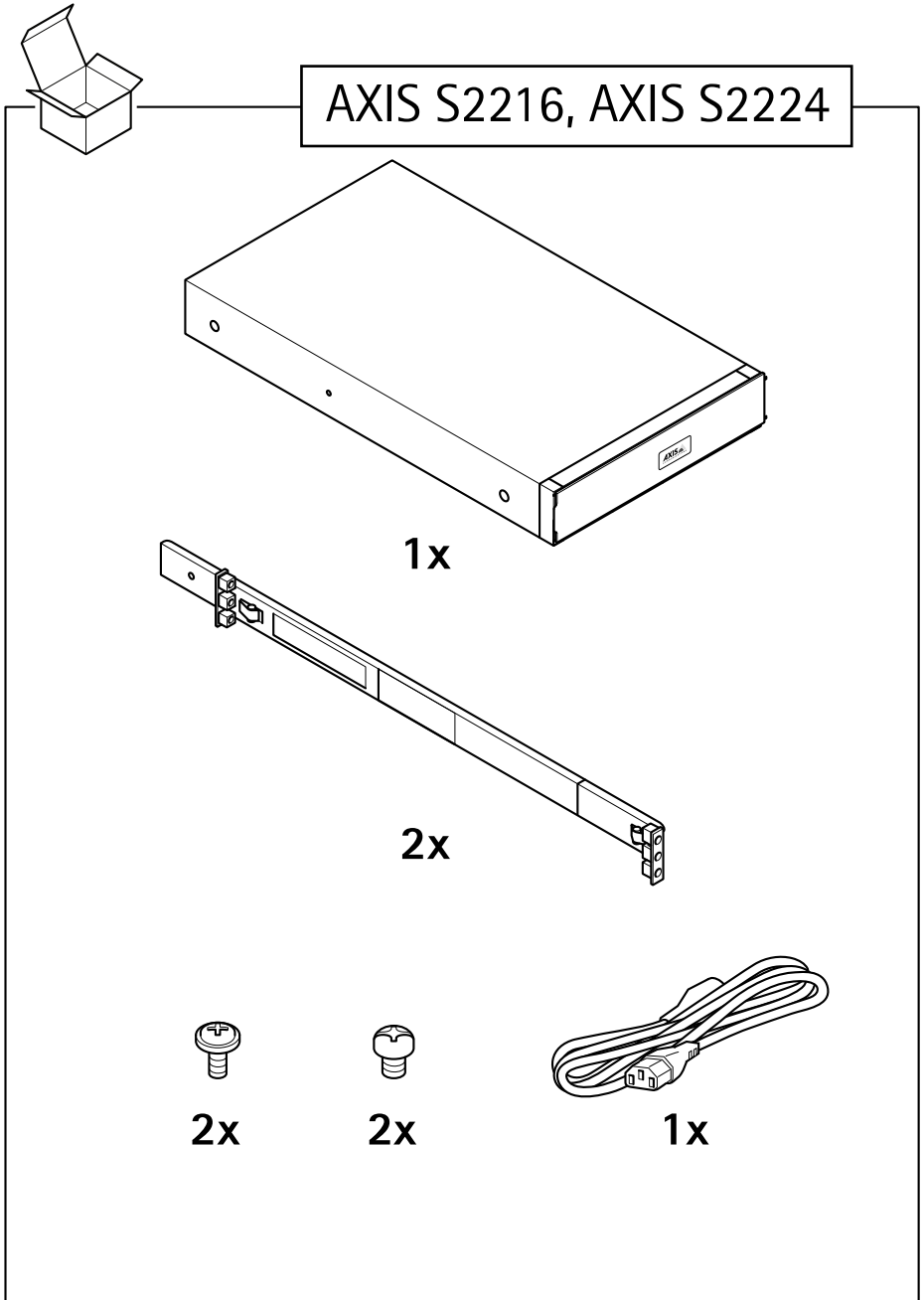
- 如果電池更換不當，會有爆炸的危險。
- 應使用相同的電池進行更換。
- 廢電池應依照當地法規或電池製造商的指示做妥善的回收處理。

#### ▲小心

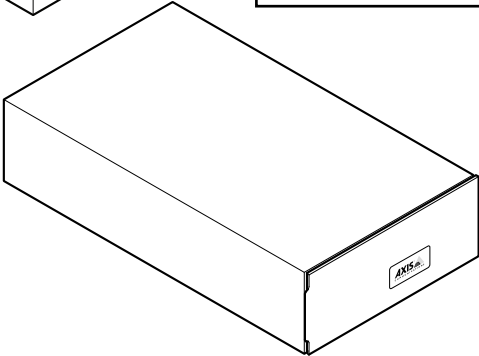
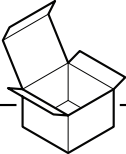
請勿自行更換電池。如果記錄訊息要求更換電池，請聯絡 Axis 支援人員。

鋰離子 3.0 V 鈕扣電池內含二甲基硫醚 (1,2-dimethoxyethane)；乙二醇 (ethylene glycol) 二甲醚 (dimethyl ether) (EGDME)，CAS 編號 110-71-4。

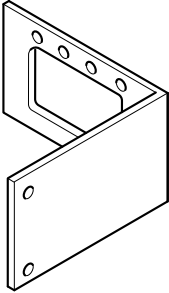




AXIS S2208, AXIS S2212



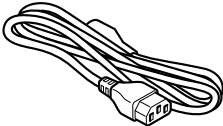
1x



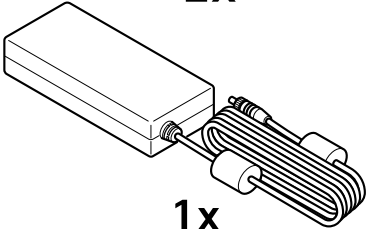
2x



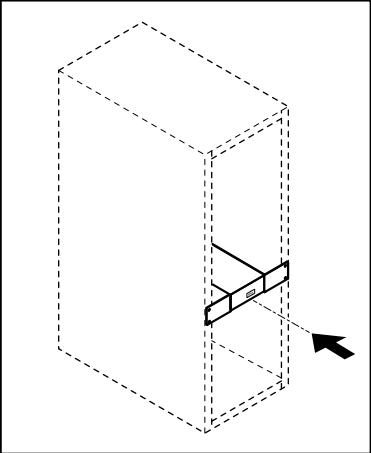
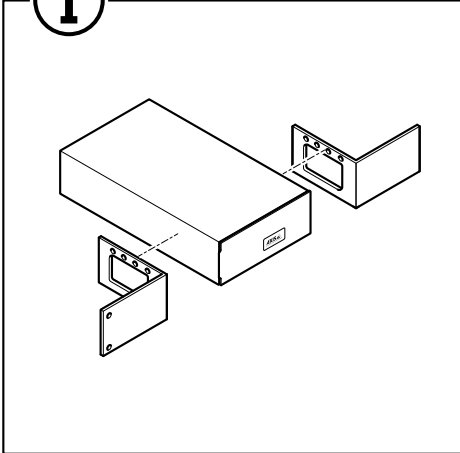
16x



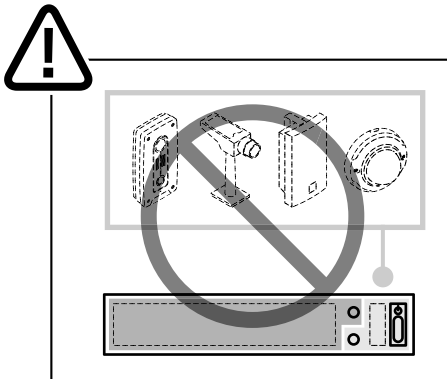
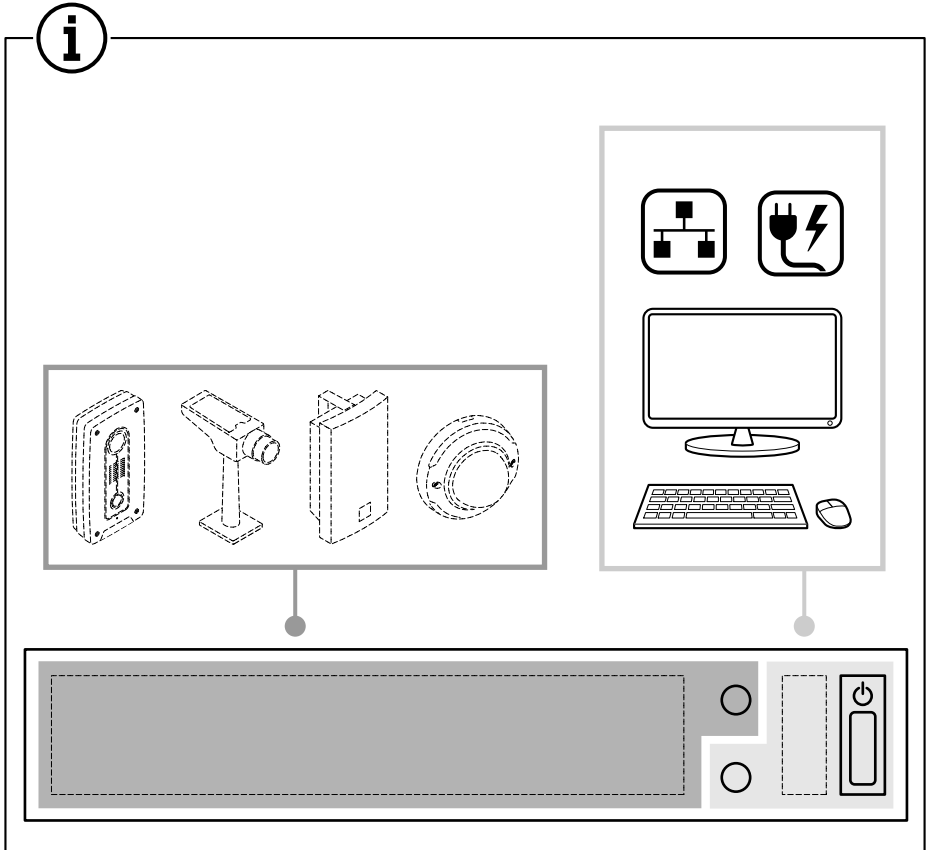
1x



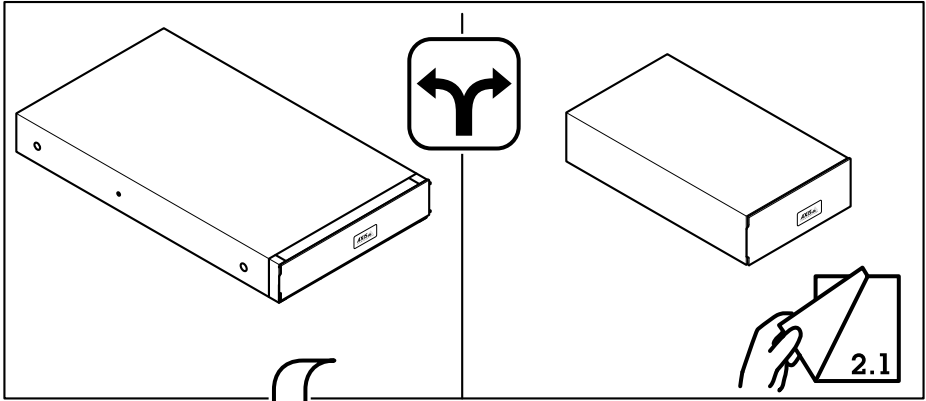
1x



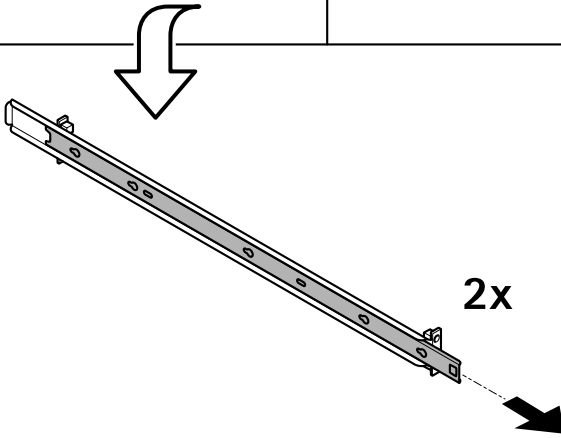




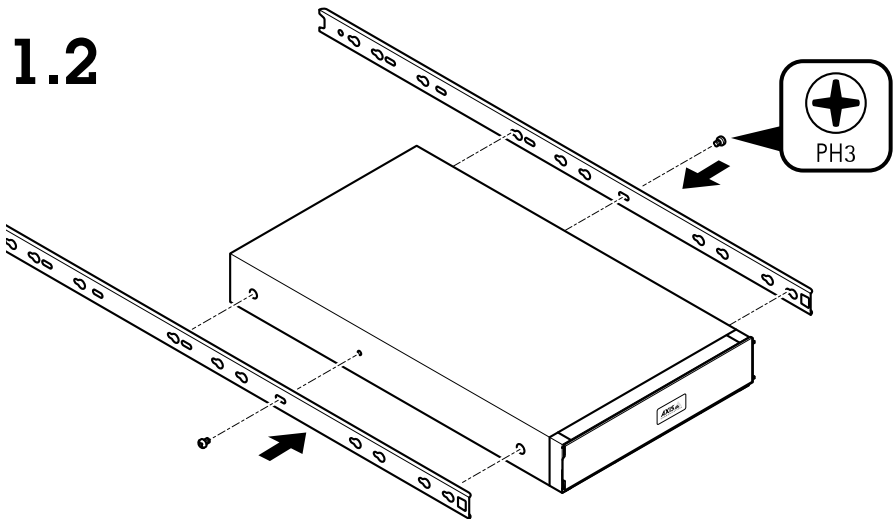
# AXIS Camera Station S22 Appliance Series



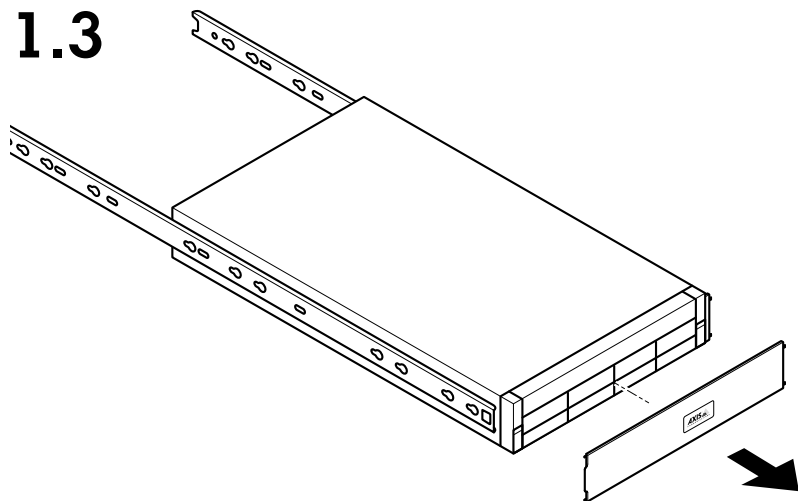
**1.1**



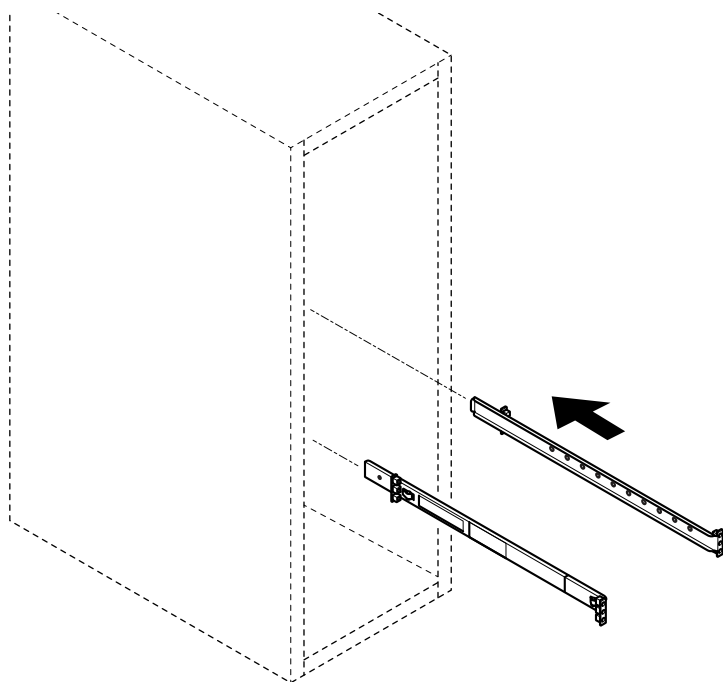
**1.2**



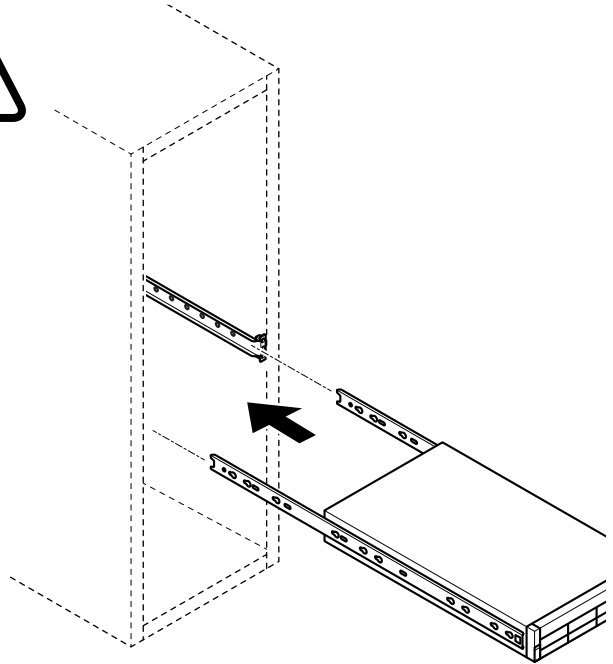
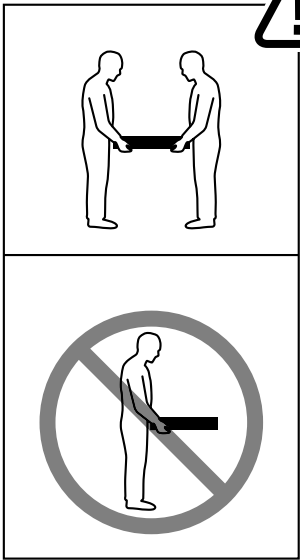
1.3



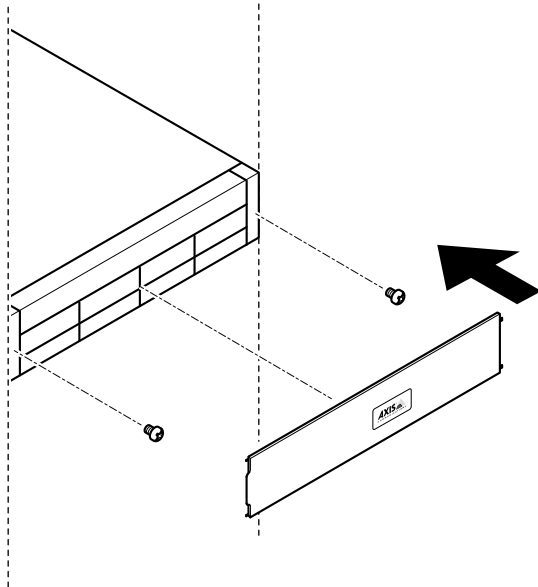
1.4



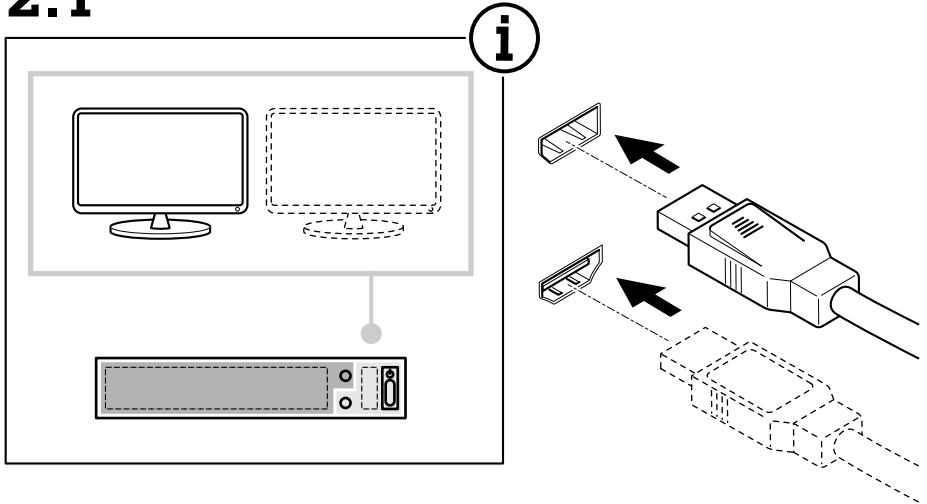
# 1.5



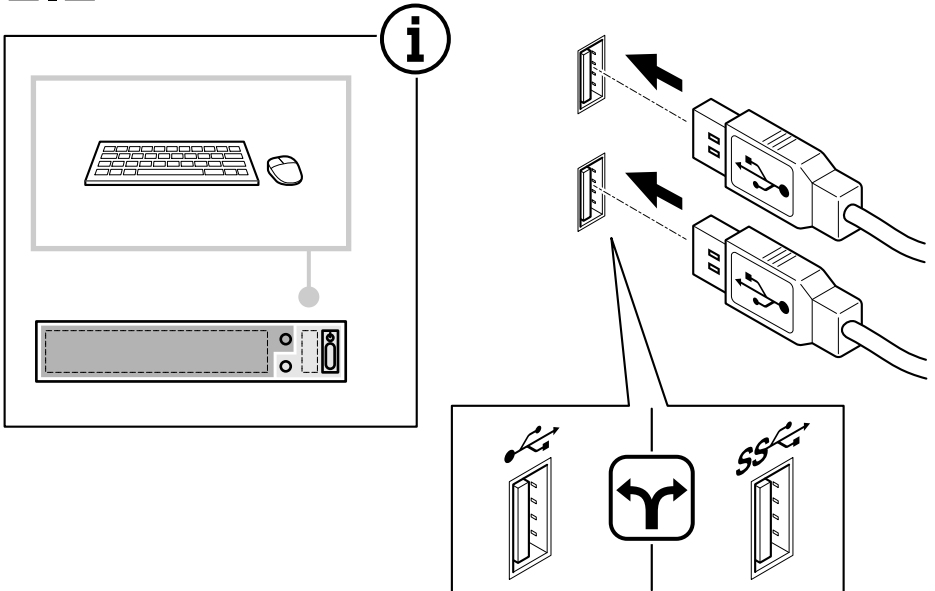
# 1.6



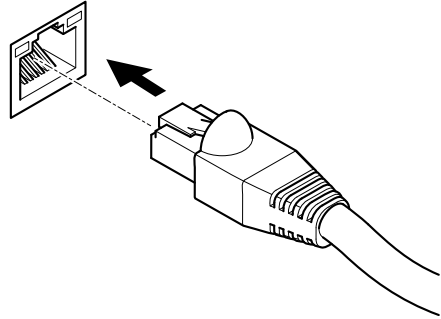
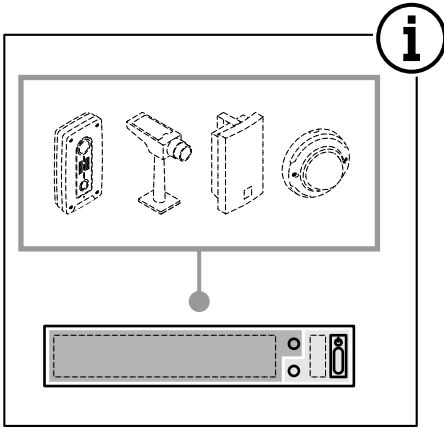
## 2.1



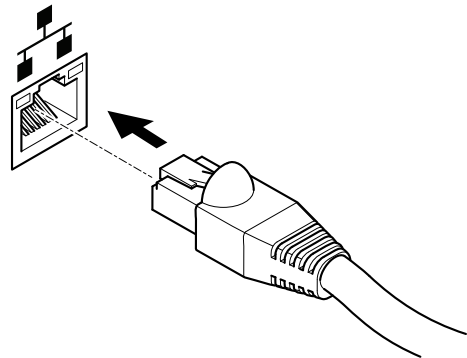
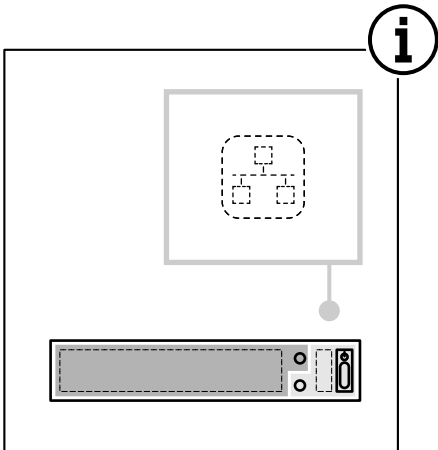
## 2.2



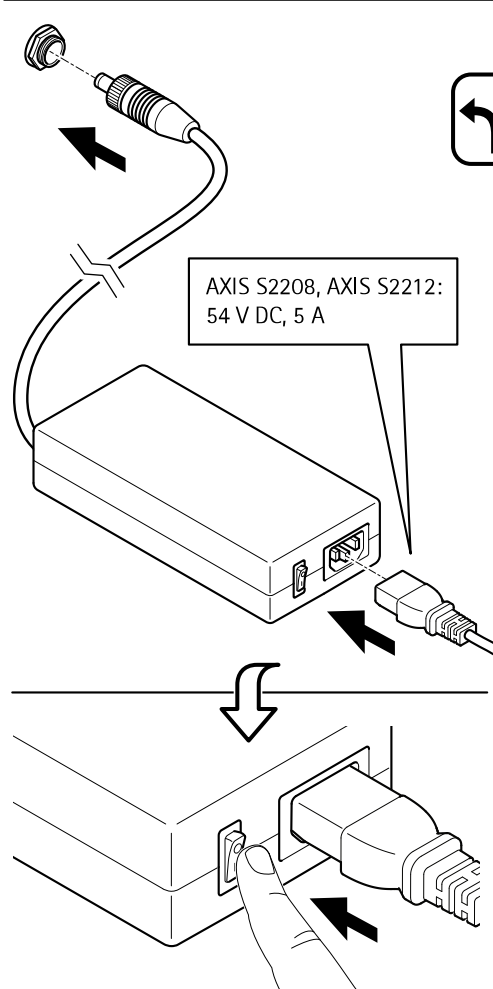
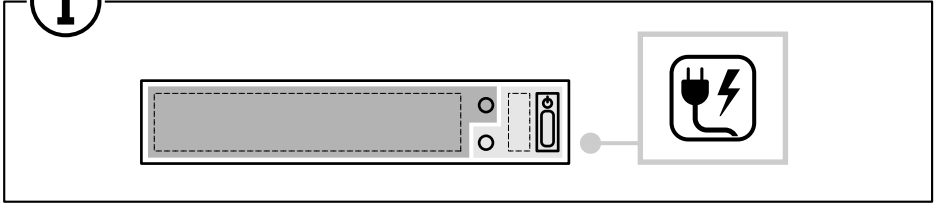
## 2.3



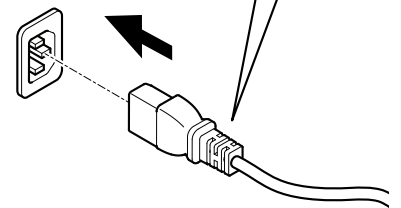
## 2.4



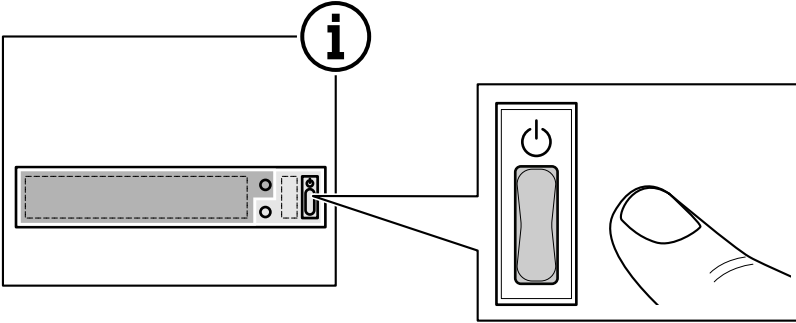
## 2.5



AXIS S2216, AXIS S2224:  
100-240 V AC, A 50/60 Hz, 6.5-2.5 A



## 2.6



## 2.7

