

## RJ45 connector push pull plug Installation Guide

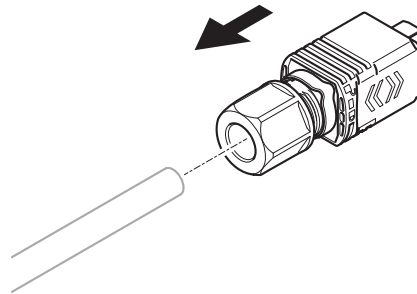
Installation Guide Ver. 2.0  
 RJ45 connector push pull plug Date: April, 2022  
 © Axis Communications AB, 2022 Part No. 39680

### Technical specifications

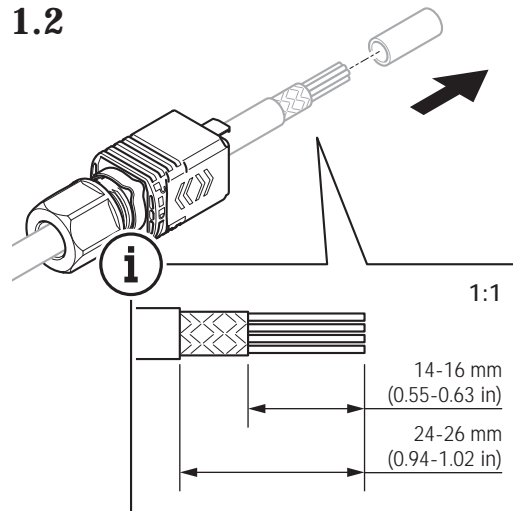
CAT6/Performance class EA suitable  
 for 1/10 Gigabit Ethernet

Termination:	IDC, tool-less field-assembly
Protection level:	IP65/IP67/IP68
Mating face:	RJ45 acc. IEC60603-7
Wire gauge data:	AWG 27-22 stranded/solid
Wire insulation:	max. 1.5 mm (0.059 in)
Temperature range:	-40°C to +70°C (-40°F to 158°F)
Mating cycles:	min. 750
Housing material:	Thermoplastic, black
Cable diameter:	4.5-10 mm (0.18-0.39 in)

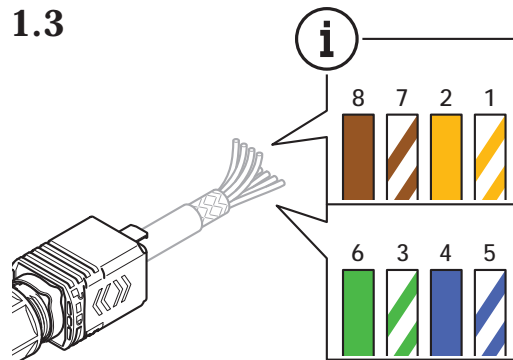
1.1



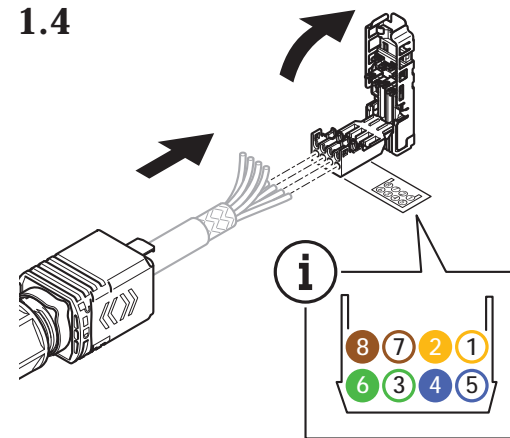
1.2



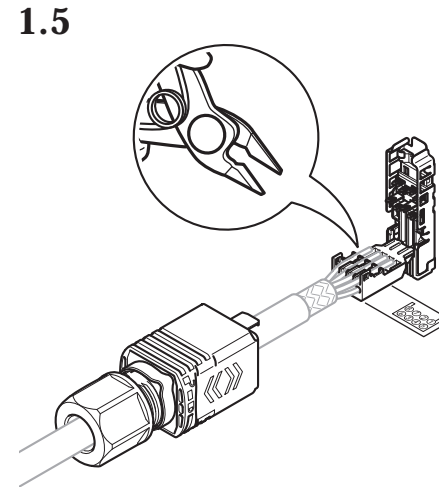
1.3



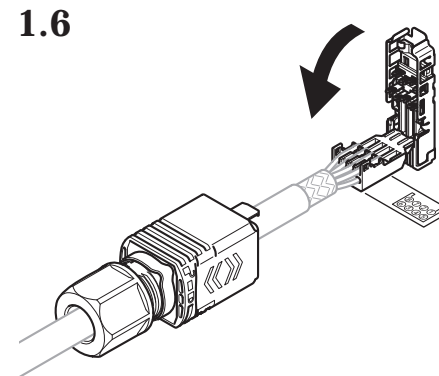
1.4



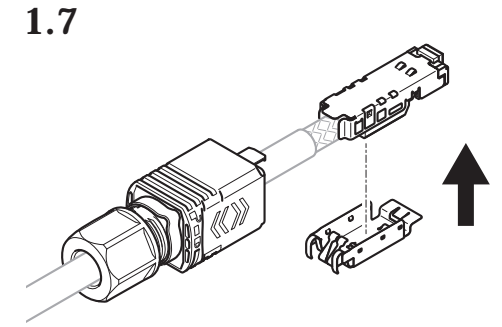
1.5



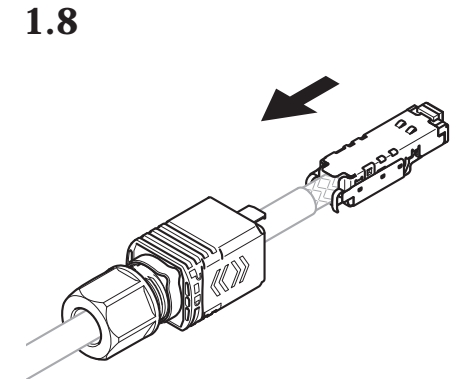
1.6



1.7



1.8



1.9

