

Embedded Solutions



microSD Cards

microSD

The ideal choice for small form factor devices with high performance demands, Transcend's High Capacity microSD cards are specifically designed for use in digital cameras, DV recorders, mobile phones, and other small devices. To ensure reliability and endurance, these microSD cards are manufactured using brand-name MLC NAND Flash chips and undergo extensive reliability testing at all stages of production.

Features

- Mechanical write protection switch on adapter
- MicroSD adapter allows it to be used in standard SD Card slots
- Built-in Error Correcting Code (ECC) to detect and correct transfer errors
- Exclusive RecoverX photo recovery software

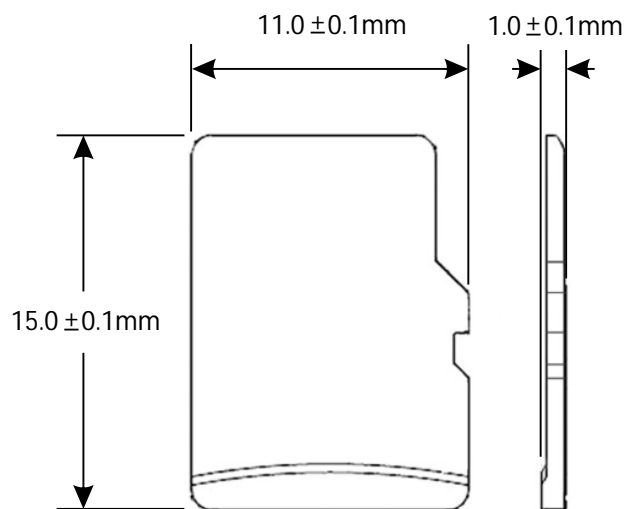
Ordering Information

1GB	TS1GUSD	Three-year Limited Warranty
2GB	TS2GUSD	Five-year Limited Warranty

Specifications

Appearance	Dimensions (Max.)	11 mm x 15 mm x 1 mm (0.43" x 0.59" x 0.04")
	Form Factor	microSD™ flash card
Storage	Flash Type	MLC NAND flash
	Capacity	1 GB/2 GB
Operating Environment	Operating Voltage	2.7V ~ 3.6V
	Drop Test	1.5m free fall
	Operating Temperature	-25°C (-13°F) ~ 85°C (185°F)
	Storage Temperature	-40°C (-40°F) ~ 85°C (185°F)
	Humidity	0% ~ 95%
	Shock	-
Performance	Read Speed (Max.)	20 MB/s
	Write Speed (Max.)	13 MB/s
Warranty	Certificate	CE/FCC/BSMI
	Warranty	Three-year/Five-year Limited Warranty
Note	• Speed may vary due to host hardware, software, usage, and storage capacity.	

Mechanical Dimensions



Product specifications are subject to change without notice. Pictures shown may differ from actual products. Total accessible capacity varies depending on operating environment. Due to the complexity and variety of industrial applications, Transcend cannot guarantee 100% compatibility with all platforms and under all scenarios. For special applications and environments, it is strongly suggested that you contact Transcend beforehand for clarification.



Please feel free to contact us with any special requests you might have.
Tel: +886-2-2792-8000 www.transcend-info.com