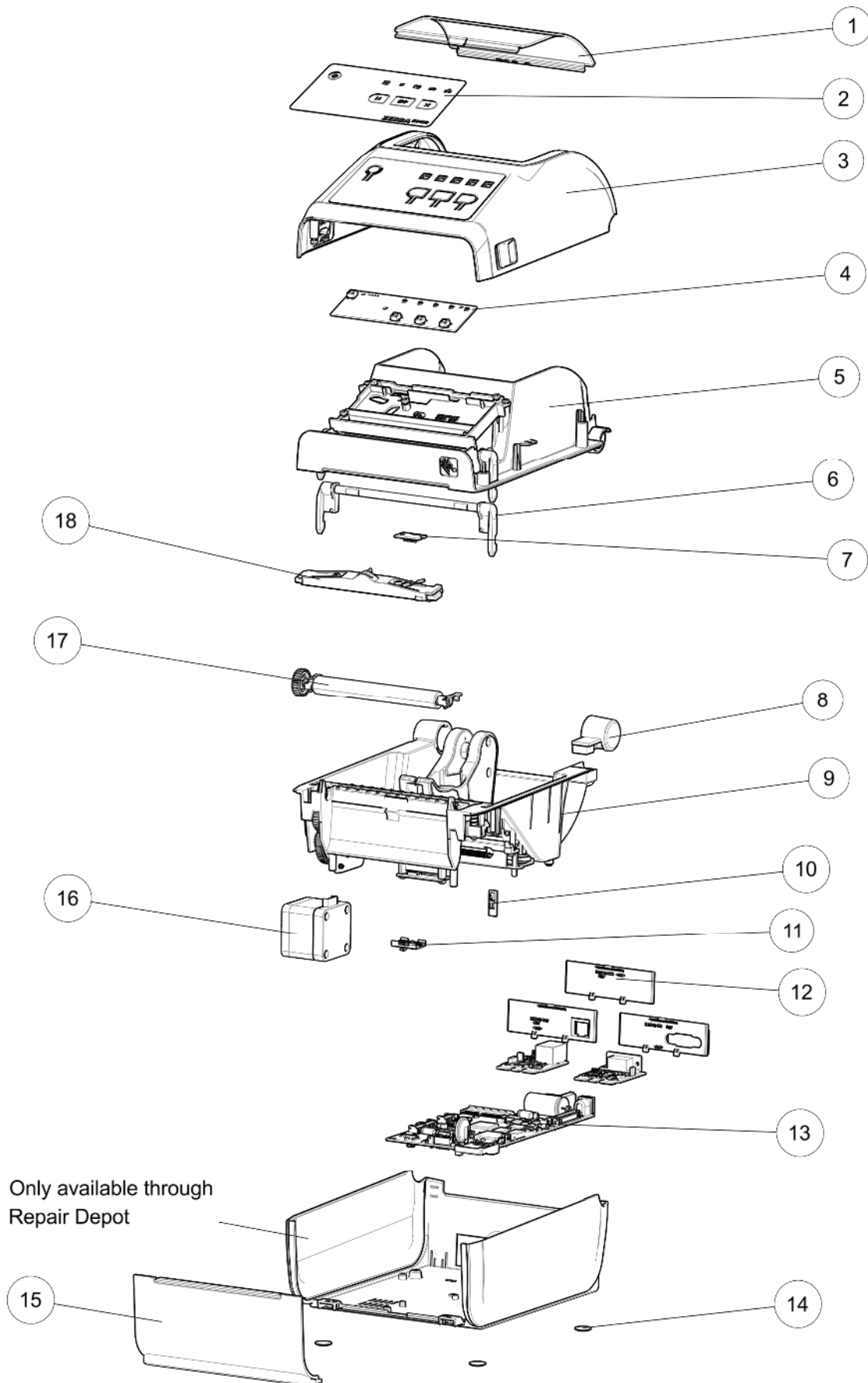


ZD420 Direct Thermal (203 & 300 DPI)



## ZD420 Direct Thermal (203 &amp; 300 DPI)

Item	Description	Part Number
1	Media Window	P1080383-400
2	Nameplate (contains nameplates with and without the Print Touch icon)	P1080383-401
3	o!er "ssem#I\$ %or &tandard Models with the Print Touch icon (includes Media Window)	P1080383-403
	o!er "ssem#I\$ %or &tandard Models without the Print Touch icon (includes Media Window)	P1080383-404
	o!er "ssem#I\$ %or ' ealthcare Models with the Print Touch icon (includes Media Window)	P1080383-40(
4	ontrol Panel P )"	P1080383-208
(	*nner +id (without printhead)	P1080383-402
,	+atch "ssem#I\$	P1080383-40-
-	. pper Media &ensor ( / ap &ensor)	P10-0003-013
8	o!er 'in1e	P10-0003-01,
0	Print Mechanism 203dpi Print Mechanism 300dpi	P1080383-408 P1080383-400
10	o!er 2pen &ensor	P1080383-011
11	+ower Media &ensor ( )lac3line &ensor)	P1080383-410
12	4ear )e5els& &erial7 8thernet7 &tandard (includes 1 o% each)	P1080383-411
13	Main +o1ic )oard7 .&7 .& ) 'ost7 Modular onnecti!it\$ &lot	P1080383-2(0
	Main +o1ic )oard7 .&7 .& ) 'ost7 )luetooth7 Modular onnecti!it\$ &lot	P1080383-2(4
	Main +o1ic )oard7 .&7 .& ) 'ost7 )luetooth7 8thernet7 Modular onnecti!it\$ &lot	P1080383-2(2
	Main +o1ic )oard7 .&7 .& ) 'ost7 )luetooth7 Wi9i 802:11ac7 Modular onnecti!it\$ &lot	P1080383-2(3
	8thernet Module &erial Module	P1080383-442 P1080383-443
14	4u##er 9eet (set o% 4)	P1080383-021
1(	9ront )e5el7 &tandard	P1080383-412
1,	Motor "ssem#I\$	P1080383-221
1-	Platen 4oller 203dpi	P1080383-413
	Platen 4oller 300dpi	P1080383-414
	)earin1s %or the platen roller7 +e%t ; 4i1ht (10 each)	P1080383-224
18	Printhead7 203dpi	P1080383-41(
	Printhead7 300dpi	P1080383-41,
Not &shown	utter7 4<7 9ull ut	P1080383-41-
	=ispenser7 9ront )e5el	P1080383-418
	on!ert to 300dpi	P1080383-421
	on!ert to 203dpi	P1080383-422
	Media ore "daptors7 9or 1:(>7 2< ; 3< diameter cores	P10-0003-033
	)ase 'ousin1 %or )atter\$ (When up1radin1 to #atter\$ power %unctionalit\$7 also order the P1080383- ,03 #atter\$)	P1080383-, 01
	)atter\$ %or =es3top Printers (When up1radin1 to #atter\$ power %unctionalit\$7 also order the P1080383-, 01 #atter\$ housin1)	P1080383-, 03
	"dapter #rac3et that ena#les mountin1 a ?=420= model in the same location as an e@istin1 / A420d model is current!\$ mounted: "llows usa1e o% the / A420d mountin1 hole pattern to mount a ?=420=:	P1080383-423
	&hippin1 Pac3 - Pac3a1in1 %or shippin1 the printer	P1080383-424
	4eplacement 3e\$ %or ' ealthcare printers with a loc3in1 media ca#inet (Buantit\$ o% ( )	P1080383-40,
	4eplacement loc3 %or ' ealthcare printers with a loc3in1 media ca#inet (includes 2 3e\$s)	P1080383-431
	Power &uppl\$ . nattached7 - (W7 137 with . & ; 8uro ords %or &tandard Models	P10-0003-02,
	Power &uppl\$ . nattached7 - (W7 24C with . & ord7 %or ' ealthcare Models	P10-0003-030
	Power &uppl\$ "ttached7 - (W (power cord not included)	P1080383-430
	Power ord7 . :&: 120C *8 320 13 (set o% ( )	10(0(0-014
	Power ord7 8uro 220C *8 320 13 (set o% ( )	10(0(0-01(
	Power ord7 . :A: 240C *8 320 13 (set o% ( )	10(0(0-030
	Power ord7 "ustralia 240C *8 320 13 (set o% ( )	10(0(0-020
	Power ord7 hina 220C 13 (set o% ( )	10(0(0-0-8
	Power ord7 Dapan 12(C D " P " N 13 (set o% ( )	10(0(0-0-0
	Power ord7 220C "r1entina 13 (set o% ( )	10(0(0-080
	Power ord7 10 " N) 4 1413,7 )ra5il (set o% ( )	P1033401
	Power ord7 137 10 " 7 *8 *srael (set o% ( )	P10, 1022-020
	Power ord7 ndia7 10 " 7 *& 12037 13 (set o% ( )	P1080820
	Power ord7 Taiwan7 12(C7 *8 320 13 (set o% ( )	P10-0003-03(