

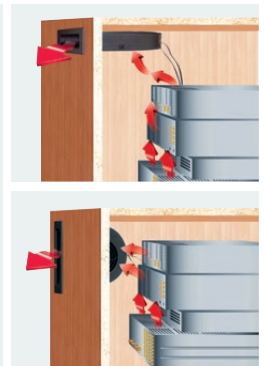
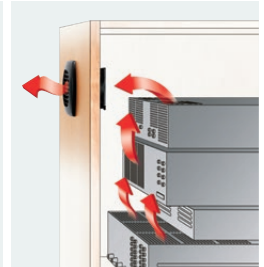
Quiet-Cool Series

CABINET COOLER

powerful and quiet way to remove heat from credenzas, lecterns and entertainment centers

FEATURES:

- Extends equipment life
- Removes heat from smaller cabinets and entertainment centers
- 20, 40 and 50 CFM models available
- Can be painted to match aesthetics of any environment
- Designed to pull hot air up out of a cabinet and direct it where desired
- Fan activates automatically at 87°F/30.5°C, turns off at 85°F/29°C



SPECIFICATIONS:

Cabinet Cooler shall be Middle Atlantic Products model # (I)CAB-COOL__ (See chart). Cabinet Cooler shall have a black finish. Cabinet Cooler shall activate at 87°F (30.5°C), and switch off at 85°F (29.4°C). Cabinet Cooler shall displace __ (20, 40, 50) CFM with maximum decibel level of __ (24, 27, 29) dB (measurements made 1 meter from source, centered horizontally and vertically). Cabinet Cooler shall include _ (1, 3) fans, and one fan controller/temperature sensor. The Cabinet Cooler requires __ (refer to chart) cutout. The Cabinet Cooler (CAB-COOL only) mounts in material which has a thickness no great than 1-1/2". Cabinet Cooler shall meet applicable requirements under the Low Voltage Directive 2006/95/EC and EMC Directive 2004/108/EC. Cabinet Cooler shall comply with the requirements of the RoHS EU Directive 2011/65/EU. Cabinet Cooler shall be manufactured by an ISO 9001 and ISO 14001 registered company. Cabinet Cooler shall be warrantied to be free from defects in materials and workmanship under normal use and conditions for a period of 3 years. Cabinet Cooler shall include a UL Listed 12V DC power supply and temperature probe with a 9' cord.

Customizable specification clips available at middleatlantic.com



WHAT GREAT SYSTEMS ARE BUILT ON.™

A brand of  **legrand**



Middle Atlantic Products
middleatlantic.com | middleatlantic.ca

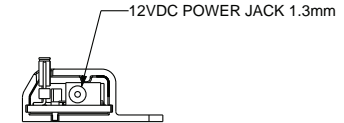
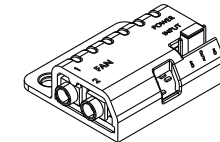
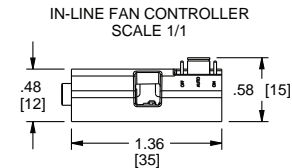
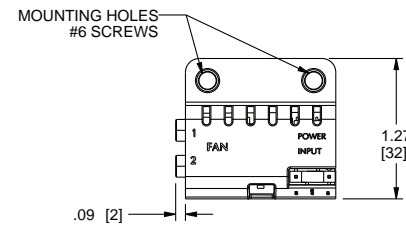
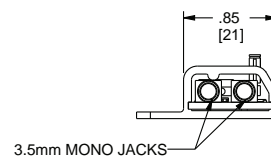
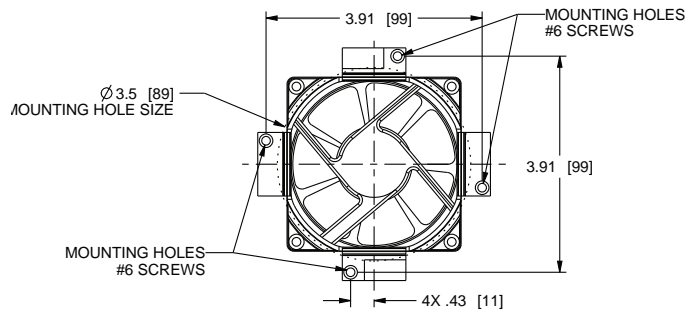
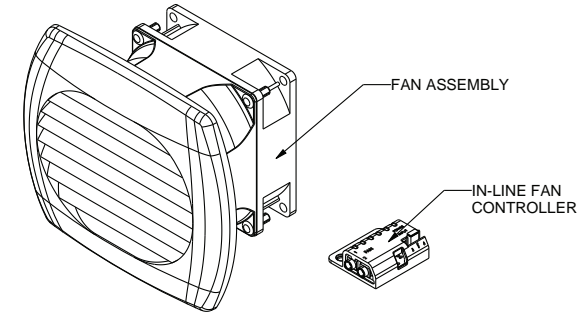
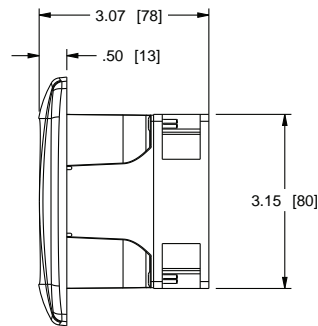
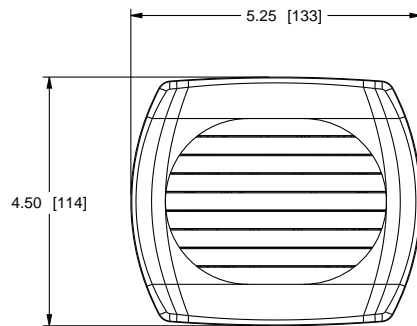
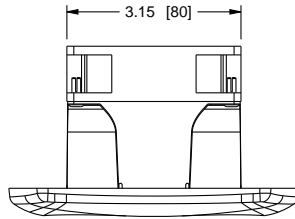
96-01068 / rev b / 9-6-17

Quiet-Cool Series Cabinet Cooler

BASIC DIMENSIONS

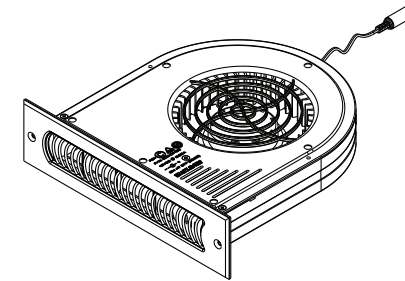
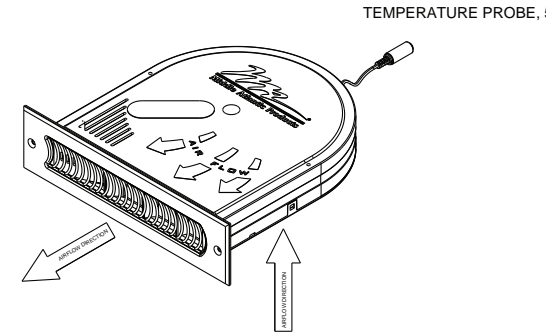
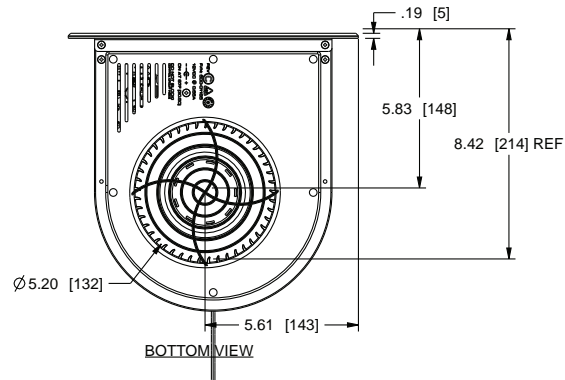
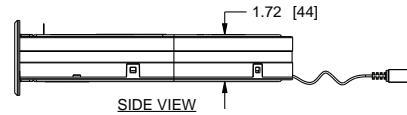
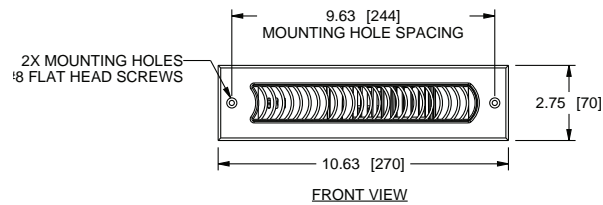
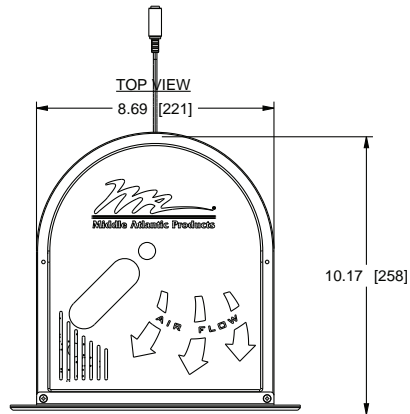
MODEL	POWER REQUIREMENTS	CFM	M3/MIN	dBA @ 1 meter
(I)CAB-COOL	12VDC @ 120mA	20	.57	24
(I)CAB-COOL-2	12VDC @ 240mA	40	1.13	27

- NOTE(S):
1. CABLE LENGTH AS FOLLOWS:
POWER SUPPLY: 72 [1829]
FAN CONTROL: 72 [1829]
 2. "I" PREFIX INDICATES 220V MODEL AND COMES WITH ADAPTERS.
 3. "-2" SUFFIX INDICATES DUAL UNIT CAB-COOL WHICH CONSISTS OF (2) FAN ASSEMBLIES, (1) IN-LINE FAN CONTROLLER, AND (1) POWER SUPPLY
 4. ALL DIMENSIONS LISTED ARE IN inches [mm].



Quiet-Cool Series Cabinet Cooler

BASIC DIMENSIONS



- NOTE(S):
1. MOUNTING CUTOUT DIMENSIONS: 9.0 [229] X 2.0 [51]
 2. FAN SPECIFICATIONS
 AIRFLOW: 50 CFM [1.4 M3/MIN]
 CURRENT DRAW: 550mA @ 12 VDC
 SOUND LEVEL: 29 dBA @ 1 M
 STATIC PRESSURE: 0.31 IN H2O [77.22 Pa]
 TURN ON: 87F [30.5C]
 TURN OFF: 85F [29.4C]
 3. CAB-COOL50 SHOWN. INTERNATIONAL MODEL, ICAB-COOL50, COMES WITH AN UNIVERSAL VOLTAGE PLUG-IN POWER SUPPLY AND ADAPTERS.
 4. DIMENSION FORMAT SHOWN: IN [MM]

WHAT GREAT SYSTEMS ARE BUILT ON.™

A brand of **legrand**

MA
 Middle Atlantic Products
 middleatlantic.com | middleatlantic.ca