

10" Resistive Touch PC



- fay-002 Industrial Mainboard
- Intel® Celeron™ DualCore N2807 / QuadCore J1900 CPU
- 2GB RAM / 4GB RAM (expandable to 8GB)
- 64GB faytech Industrial SSD
- Supports Win7/8/10, Linux (32Bit, 64Bit)
- Extensive industrial and consumer interfaces
- High-quality black aluminum housing
- Audio amplifier with 2x2W speakers
- Pre-installed Linux Ubuntu
- 5-Wire Resistive touch technology
- VESA 100 Mounting
- Integrated W-LAN
- 2 years guarantee
- Extended voltage input 8-36V DC (*optional*)

For industrial and business applications, faytech's Touch PC series provide incredible stability due to its fanless silent operation, no moving parts design and aluminum housing.

Equipped with strong Intel® Celeron™ DualCore or QuadCore CPU, Intel® HD graphics, 2G / 4G RAM and 64G SSD, the system supports various OS, e.g. Win 7/8/10 (32 or 64 bit) and Linux.

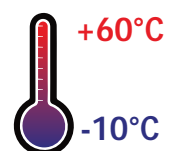
Using 5-wire resistive touch panels (4-wire for 7") and faytech's subpixel free A+ LCD panels, it is our cost-effective yet highly reliable solution for long term operation.

faytech's Touch PCs are the perfect option for moderate and challenging situations, such as industrial automation, POS system, digital signage, etc.

Customization available for project customers (e.g. higher brightness, IP protection classes, optional touch screen technologies, etc.).



* Stand FTV100SF in picture (*optional*)



Product name	10" Resistive Touch PC
Article code / EAN number	FT10N2807W2G64G / 6920734010516
	FT10J1900W4G64G / 6920734010530

IP Rating	
IP40	

LCD Panel	
Screen diagonal (Inch/cm)	9.7/24.64
Display active screen size (cm)	19.70×14.70
Aspect ratio	4:3
Physical resolution	1024×768
External Maximum showable resolution - DP	1920×1200
Colours displayed	16.7M
Brightness (cd/m ²)	350
Contrast	800:1
Typical reaction time Tr/ Tf (ms)	10/15
Visual Angle horizontal/vertical (°)	170/170
Backlight / Backlight Lifetime (hours)	LED / 20,000

Operation / Mechanical	
Operating Temperature (°C)	-10 ~ +60
Humidity Range (RH)	10% - 90%
Net weight (kg)	2.00
Gross weight (kg)	2.90 (incl. cartontage)
Housing material	Aluminum
Housing (cm) L × W × H	25.80 × 20.50 × 5.30
Mounting	VESA 100

Internal Connectors	
1x SO-DIMM Slot, max. 4GB, DDR3L-1333 Single channel memory (J1900: max. 8GB)	
1x 12V DC power connector (2-pin)	
1x 4-pin SATA power connector; 2x S-ATA 3GB/s ports	
1x VGA pin header; 1x SIM-card-Header (connected to MiniPCIe)	
1x LVDS connector; 1x S/PDIF output pin header	
1x 5-pin LCD power connector; 1x 8-bit Digital I/O interface	
1x 4-pin (2x2W) audio amplifier connector	
1x PS/2 keyboard/mouse connector (6-pin)	
2x USB 2.0 header supports additional 4x USB 2.0 ports	
2x RS232 connectors (J1900: 3x RS232/RS485 COM, switchable in BIOS)	
1x Chassis Fan connector	

PC System	
CPU	Intel® Celeron™ DualCore N2807 / Intel® Celeron™ QuadCore J1900
Chipset	Intel® E3800
Graphic GPU	Intel® HD Graphics
Audio	Realtek 887 8 -channel high definition audio codec, Audio Amplifier EUA 2012A
Memory	1x 2GB DDR3L SODimm (for N2807) / 1x 4GB DDR3L SODimm (for J1900)
Storage	fattech Industrial 64GB SSD
Network	2x Realtek PCIe GB LAN 8111G; W-LAN
Driver Support	Win7/8/10; Linux; 32Bit/64Bit
Preinstalled OS	Linux Ubuntu

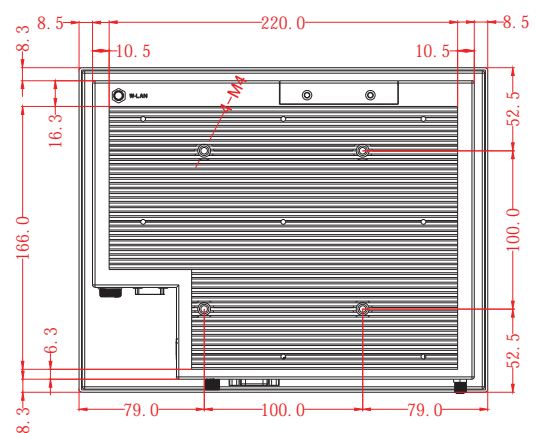
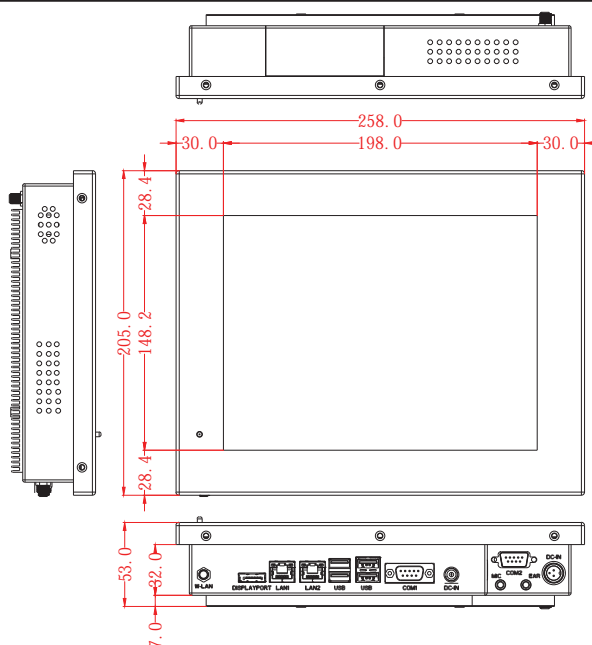
Touch Panel	
Touch Technology	5-Wire Resistive
Touch Connector	USB
Touch Life (Contacts)	10 million in 1 location without failure
Surface Hardness	3H
Surface Treatment	Anti-glare

Power	
Power Indicator	Green LED
Power Supply	100-240V ACDC active switching; 12V DC-Out
Working Power (V)	12
Power Consumption (W)	14
Stand-By Consumption (W)	<1

External Connectors	
1x 12V DC-In (screwable)	
1x DisplayPort	
1x USB 3.0, 3x USB 2.0 ports	
2x COM port Full-PIN - RS232; 5V/12V (J1900: RS232/RS485; 5V/12V)	
2x 10/100/1000Mbit RJ45 Ports	
1x MIC-In & EAR-Out	
2x W-LAN connectors	

Expansion slots	
2x Mini Card slots with PCIe and USB interface (2x Full Height/Half height changeable)	
1x PCIeX1 Straddle connector (J1900 only)	

Included in the Delivery	
Power Supply (see Power section)	
Driver DVD	
Short Installation Manual	
3-Pin Power Connector	
W-LAN Antenna	
Stylus	



Corporate Headquarters

faytech AG
 Bischhäuser Aue 10
 37213 Witzenhausen
 Germany

support@faytech.com
contact@faytech.com
www.faytech.com

China: +86 755 8958 0612
 Germany: +49 5542 30374 10
 USA: +1 646 205 3214
 India: +91 11 49707436
 Japan: +070 4127 5167