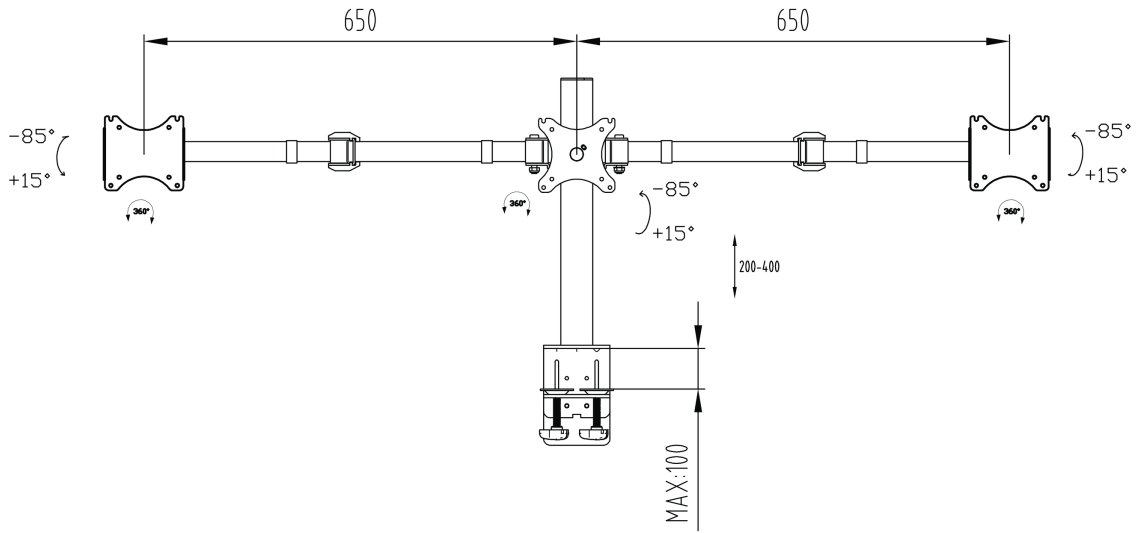


Simple and functional triple monitor arm

The iiyama DS1003C-B1 is a desk mount for three flat screens up to 27". Thanks to the arm you can create a triple monitor setup even if your desk space is very limited, and the cable management system helps to keep your workplace tidy. Broad adjustment capabilities, including tilt, height and rotation, the arm offers you to easily adjust the position of the screens to your preferences assuring a comfortable and ergonomic workspace.

01 TECHNICAL SPECIFICATION

Type	desk mount for desktop monitor
Number of screens	3
Desk monut	desk clamp or desk grommet
Screen size	10" - 27"
Height adjustment	200 - 400mm
Screen rotation	PIVOT 90°
Tilt	- ° - °
Max weight capacity	10kg / monitor
VESA minimum	75 x 75mm
VESA maximum	100 x 100mm



All trademarks and registered trademarks acknowledged. E & O E. Specification subject to change without notice. All LCD's comply with ISO-9241-307:2008 in connection with pixel defects.

© IIYAMA CORPORATION. ALL RIGHTS RESERVED