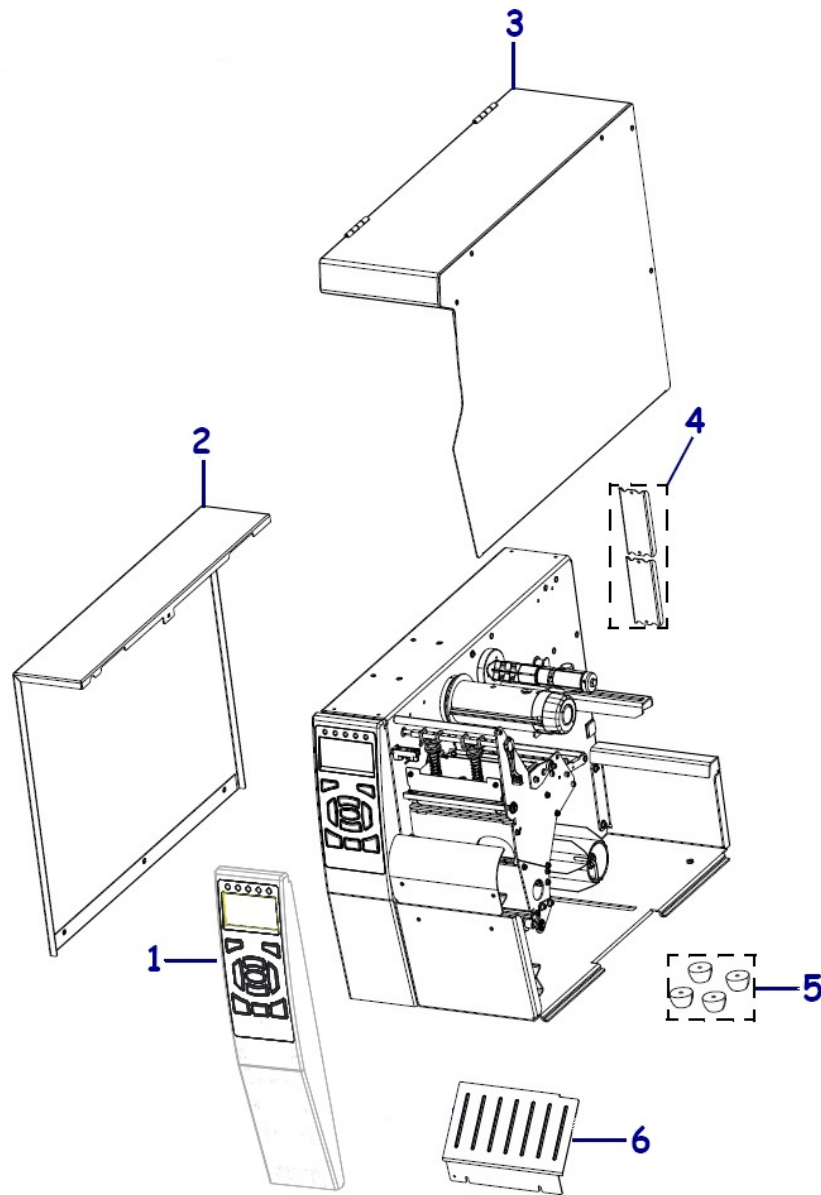
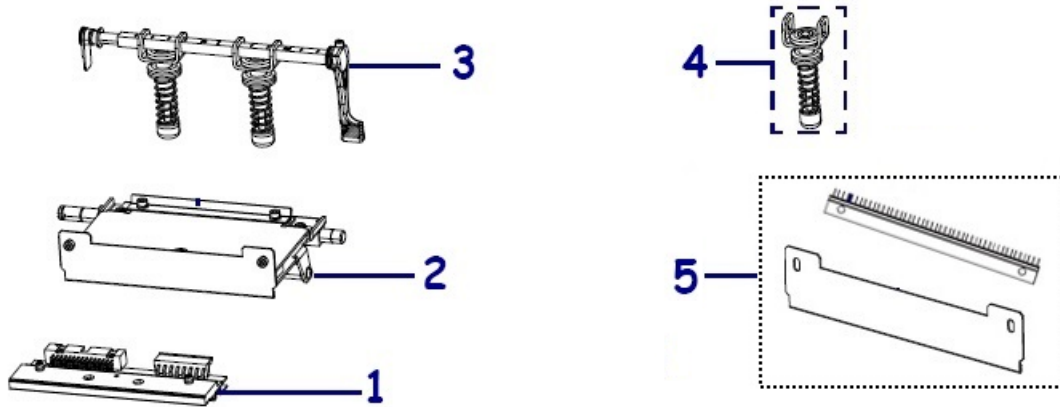


Outer Casing



| Item Number | Description | Part Number | Kit Quantity |
|-------------|-------------------------|--------------|--------------|
| 1 | Control Panel ZT510 | P1083347-001 | 1 |
| 2 | Electronics Cover ZT510 | P1083347-002 | 1 |
| 3 | Media Cover ZT510 | P1083347-003 | 1 |
| 4 | Covers for options | P1083320-092 | 1 |
| 5 | Feet for printer | P1083320-095 | 12 |
| 6 | Tear Trim Panel ZT510 | P1083347-004 | 1 |

Print Mechanism



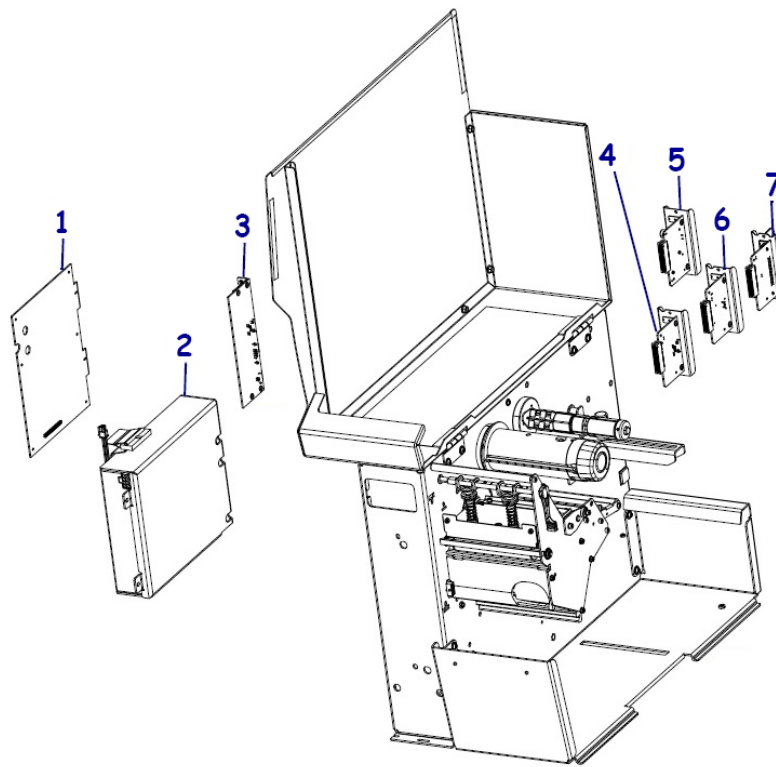
| Item Number | Description | Part Number | Kit Quantity |
|-------------|--|--------------|--------------|
| 1 | Printhead 203 dpi ZT510 | P1083347-005 | 1 |
| 1 | Printhead 300 dpi ZT510 | P1083347-006 | 1 |
| 2 | Print Mechanism Hardware ZT510 | P1083347-011 | 1 |
| 3 | Pivot Bar & Toggle Assemblies ZT510 | G41022M | 1 |
| 4 | Toggle Assembly Only ZT510 | 35099M | 1 |
| 5 | Ribbon Strip Plate and Ribbon Static Brush ZT510 | P1006095 | 1 |
| | Cables for Printhead (Power, Data, Ground) ZT510 | P1083347-028 | 1 |

Platen Roller



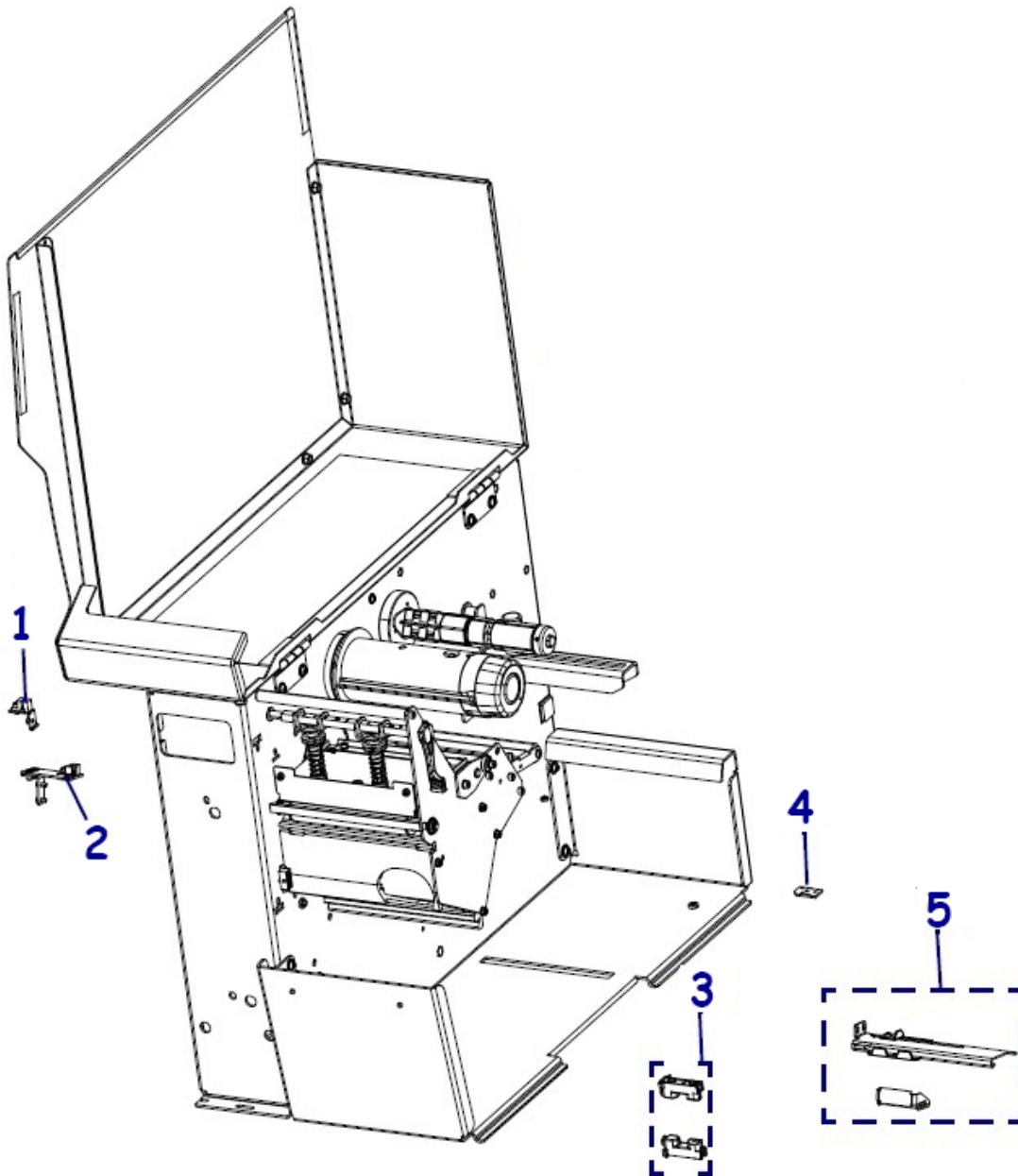
| Item Number | Description | Part Number | Kit Quantity |
|-------------|---------------------|--------------|--------------|
| 1 | Platen Roller ZT510 | P1083347-012 | 1 |

Electronics



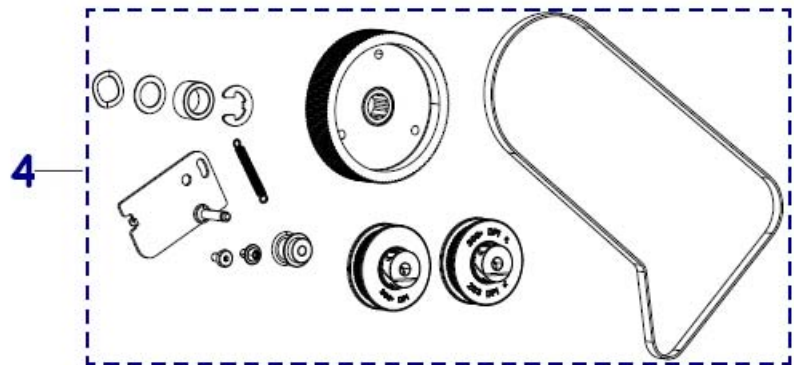
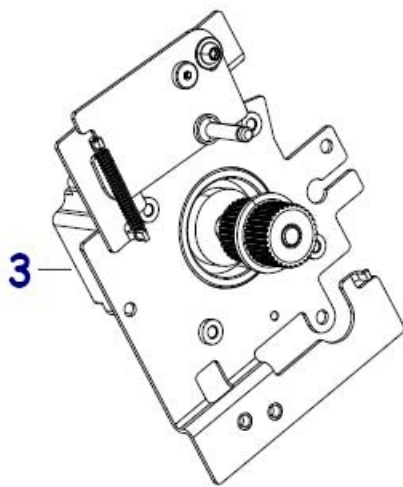
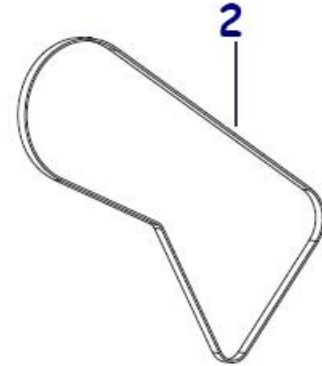
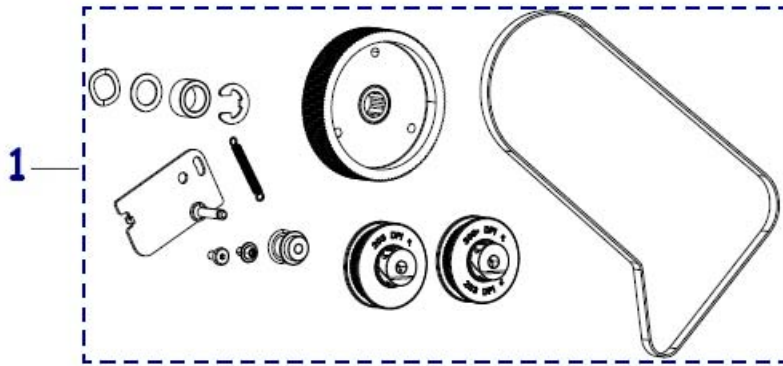
| Item Number | Description | Part Number | Kit Quantity |
|-------------|--|---------------|--------------|
| 1 | Main Logic Board ZT510 | P1083347-013 | 1 |
| 2 | Power Supply ZT510, ZT600 Series | P1083320-043 | 1 |
| 3 | Connectivity PCBA ZT510, ZT600 Series | P1083320-036 | 1 |
| 4 | Internal Print Server IPv4 (Ethernet) ZT510 | P1083320-039 | 1 |
| 5 | Wireless Card USA and Canada ZT510 | P1083320-037A | 1 |
| 5 | Wireless Card Japan ZT510 | P1083320-037B | 1 |
| 5 | Wireless Card All Countries except USA, Canada and Japan ZT510, ZT600 Series | P1083320-037C | 1 |
| | Replacement Wireless Antenna | P1037974-053 | 1 |
| | Magnetic Mount for Wi-Fi Antenna (antenna not included) | 39518M | 1 |
| 6 | USB Host Card ZT510, ZT600 Series | P1083320-094 | 1 |
| 7 | Parallel Port Card ZT510 | P1083320-040 | 1 |
| | External PrintServer IPv4 ZT510 | P1031031 | 1 |
| | External PrintServer IPv6 ZT510 | P1000219 | 1 |
| | Electronics Cables (various power and data cables) ZT510 | P1083347-014 | 1 |
| | USA Power Cord | 46693 | 1 |
| | Europe Power Cord | 46629 | 1 |
| | UK Power Cord | 46637 | 1 |
| | Japan Power Cord | 37609 | 1 |
| | China Power Cord | 47612 | 1 |

Sensors



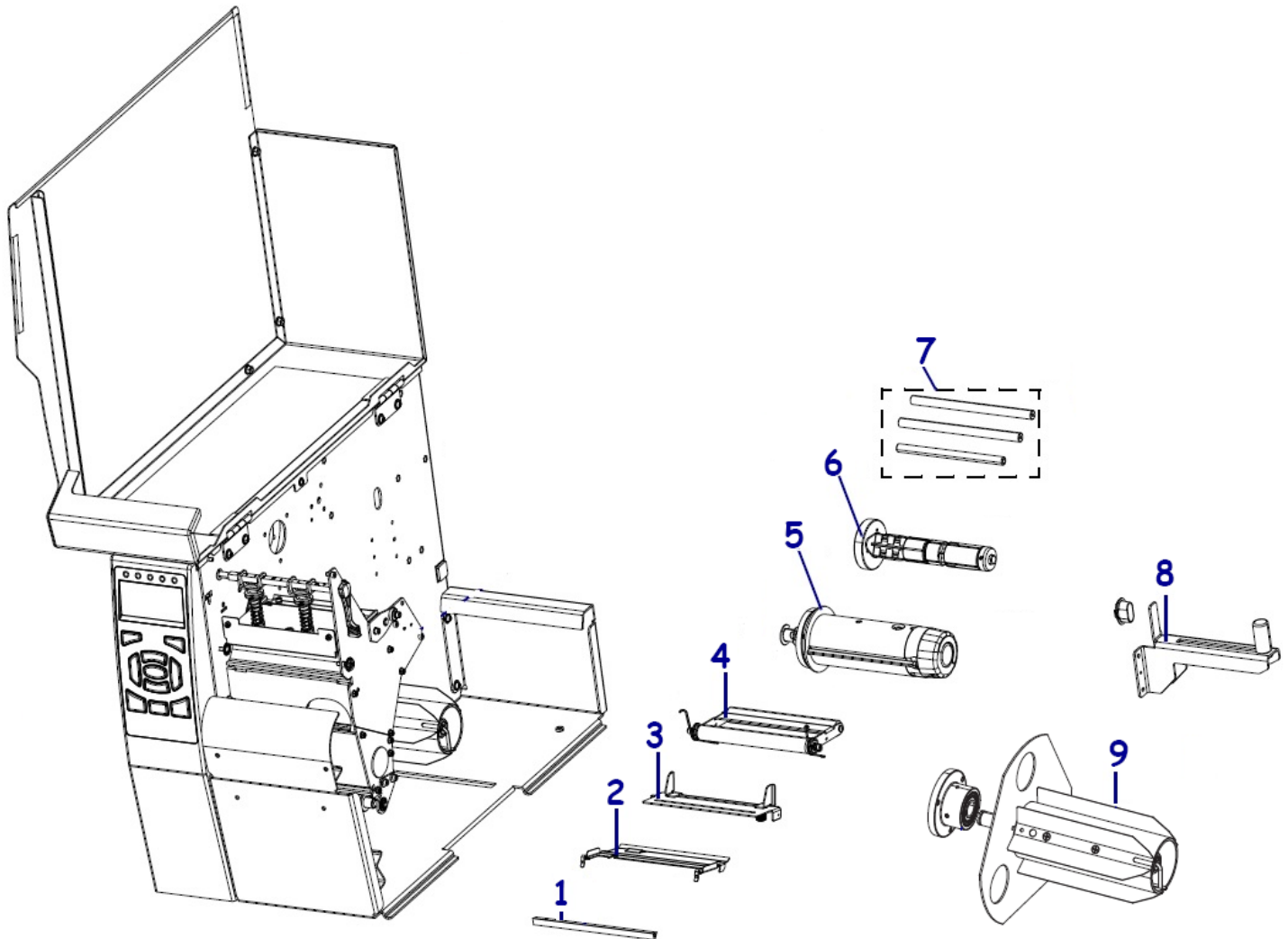
| Item Number | Description | Part Number | Kit Quantity |
|-------------|--------------------------------------|--------------|--------------|
| 1 | Printhead Open Sensor ZT510 | P1083320-053 | 1 |
| 2 | Reflective (Black Mark) Sensor ZT510 | P1083347-031 | 1 |
| 3 | Take Label Sensors ZT510 | P1083320-052 | 1 |
| 4 | Ribbon Out Sensor ZT510 | P1083347-015 | 1 |
| 5 | Media Sensor ZT510 | P1083347-030 | 1 |
| | Flag for Printhead Open Sensor ZT510 | G46352M | 1 |

Drive System



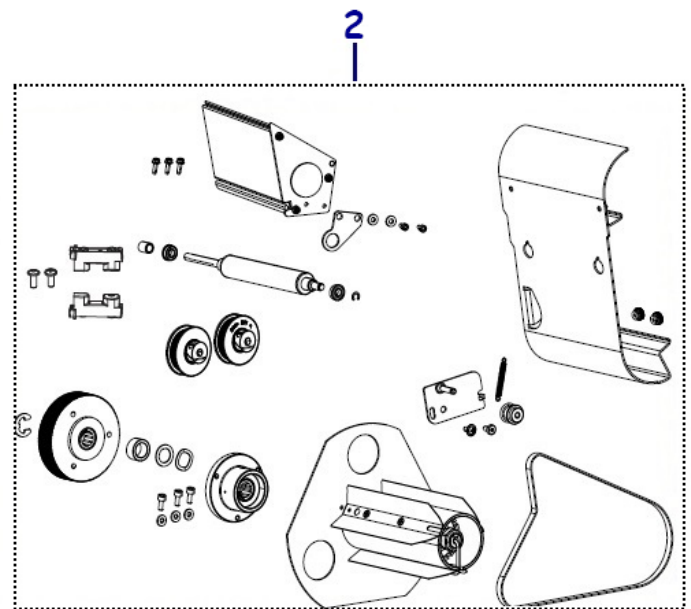
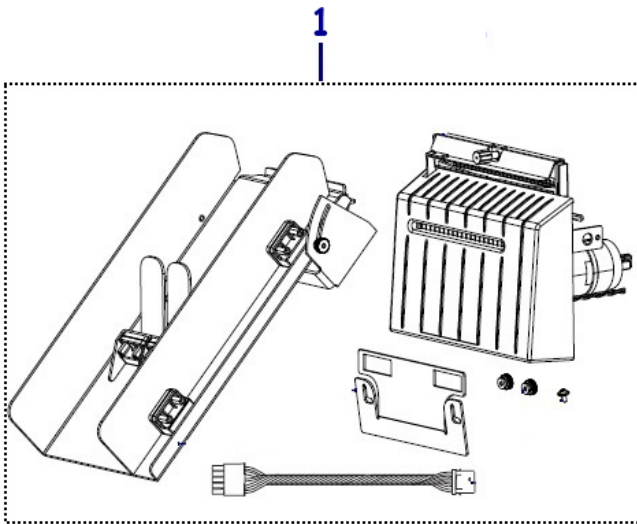
| Item Number | Description | Part Number | Kit Quantity |
|-------------|---|--------------|--------------|
| 1 | Main Drive System ZT510 | P1083347-016 | 1 |
| 2 | Drive Belt for the Main Drive System or Rewind Drive System. Works for all dpi. ZT510 | P1083347-017 | 1 |
| 3 | Drive Motor with Pulley Assembly. Works for all dpi. ZT510 | P1083347-018 | 1 |
| 4 | Rewind Drive System ZT510 | P1083347-019 | 1 |

Media Path Components



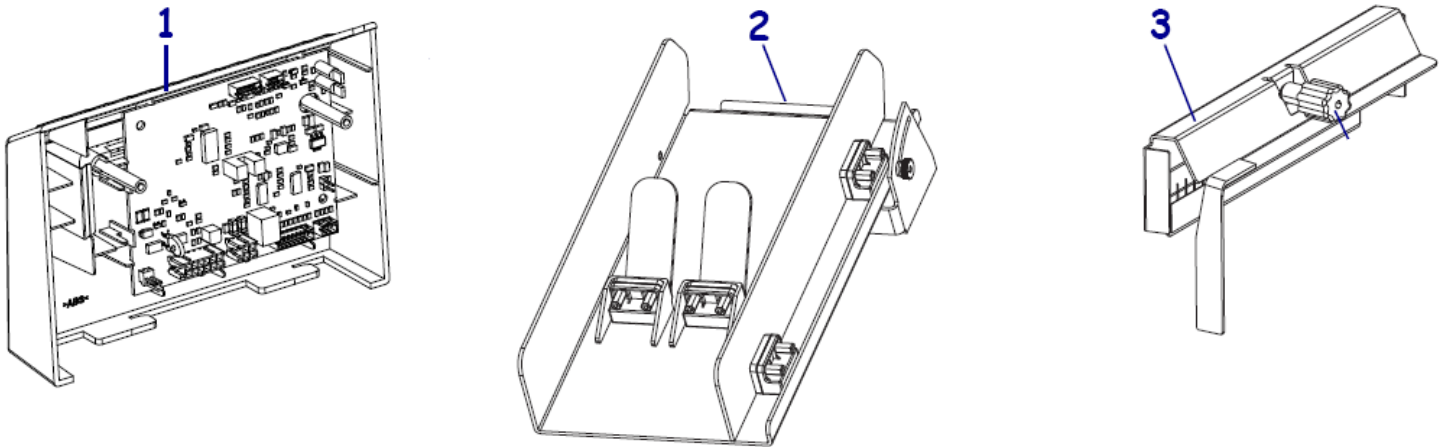
| Item Number | Description | Part Number | Kit Quantity |
|-------------|---|--------------|--------------|
| 1 | Peel/Tear Bar ZT510 | P1006115 | 1 |
| 2 | Media Guide Plate (Snap Plate) ZT510 | P1053360-015 | 1 |
| 3 | Media Guide ZT510 | P1006106 | 1 |
| 4 | Media Dancer ZT510 | 41691M | 1 |
| 5 | Ribbon Take Up Spindle ZT510 | G41150M | 1 |
| 6 | Ribbon Supply Spindle ZT510 | P1053360-007 | 1 |
| 7 | Ribbon Rollers ZT510 | P1053360-009 | 1 |
| 8 | Media Hanger ZT510 | P1083347-029 | 1 |
| 9 | Replacement Media Rewind Spindle (includes bearing) ZT510 | G41155M | 1 |

Media Handling Options



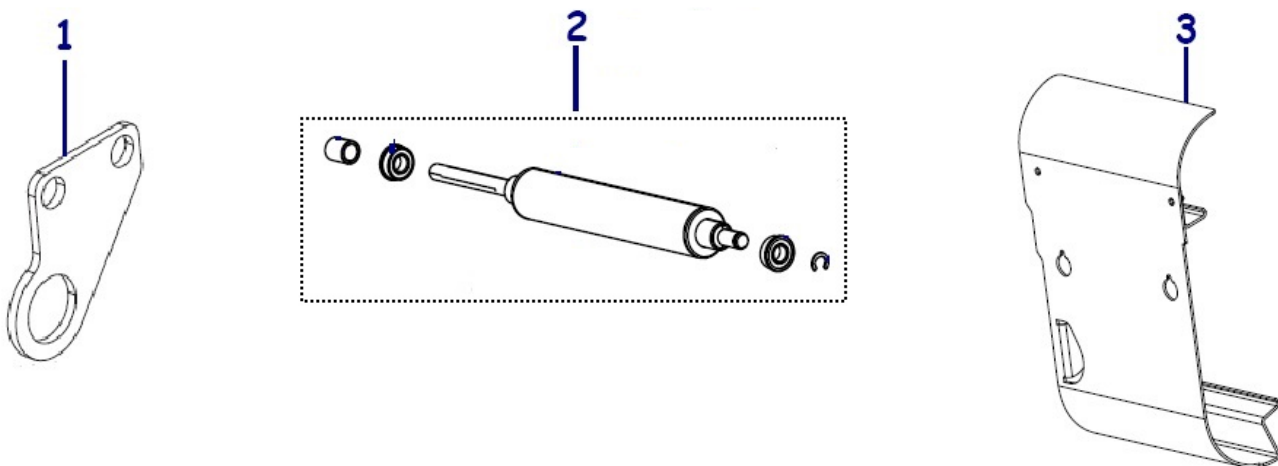
| Item Number | Description | Part Number | Kit Quantity |
|-------------|----------------------------|--------------|--------------|
| 1 | Cutter Upgrade ZT510 | P1083347-020 | 1 |
| 2 | Media Rewind Upgrade ZT510 | P1083347-021 | 1 |

Cutter Replacement Parts



| Item Number | Description | Part Number | Kit Quantity |
|-------------|---|--------------|--------------|
| 1 | Cover with PCBA for Cutter (includes cable) ZT510 | P1083347-022 | 1 |
| 2 | Catch Tray for Cutter ZT510 | P1083347-033 | 1 |
| 3 | Guard with Static Brush for the Cutter ZT610 | P1066612 | 1 |

Media Rewind Replacement Parts



| Item Number | Description | Part Number | Kit Quantity |
|-------------|---|--------------|--------------|
| 1 | Rewind Roller Adjustment Plate (includes bearing) ZT510 | P1006105 | 1 |
| 2 | Rewind Roller (the rewind roller uses the shorter spacer included in the kit) ZT510 | P1083347-012 | 1 |
| 3 | Plate for Media Rewind ZT510 | P1083347-032 | 1 |
| | J Hook (Qty of 2) ZT510 | P1006121 | 2 |

Packaging and Hardware

| Item Number | Description | Part Number | Kit Quantity |
|--------------------|-----------------------------------|--------------------|---------------------|
| | Packaging Material Qty of 1 ZT510 | P1083347-024 | 1 |
| | Packaging Material Qty of 8 ZT510 | P1083347-025 | 8 |

| Item Number | Description | Part Number | Kit Quantity |
|--------------------|---|--------------------|---------------------|
| | Assorted Hardware (screws, washers, nuts, etc...) ZT510 | P1083347-026 | 1 |