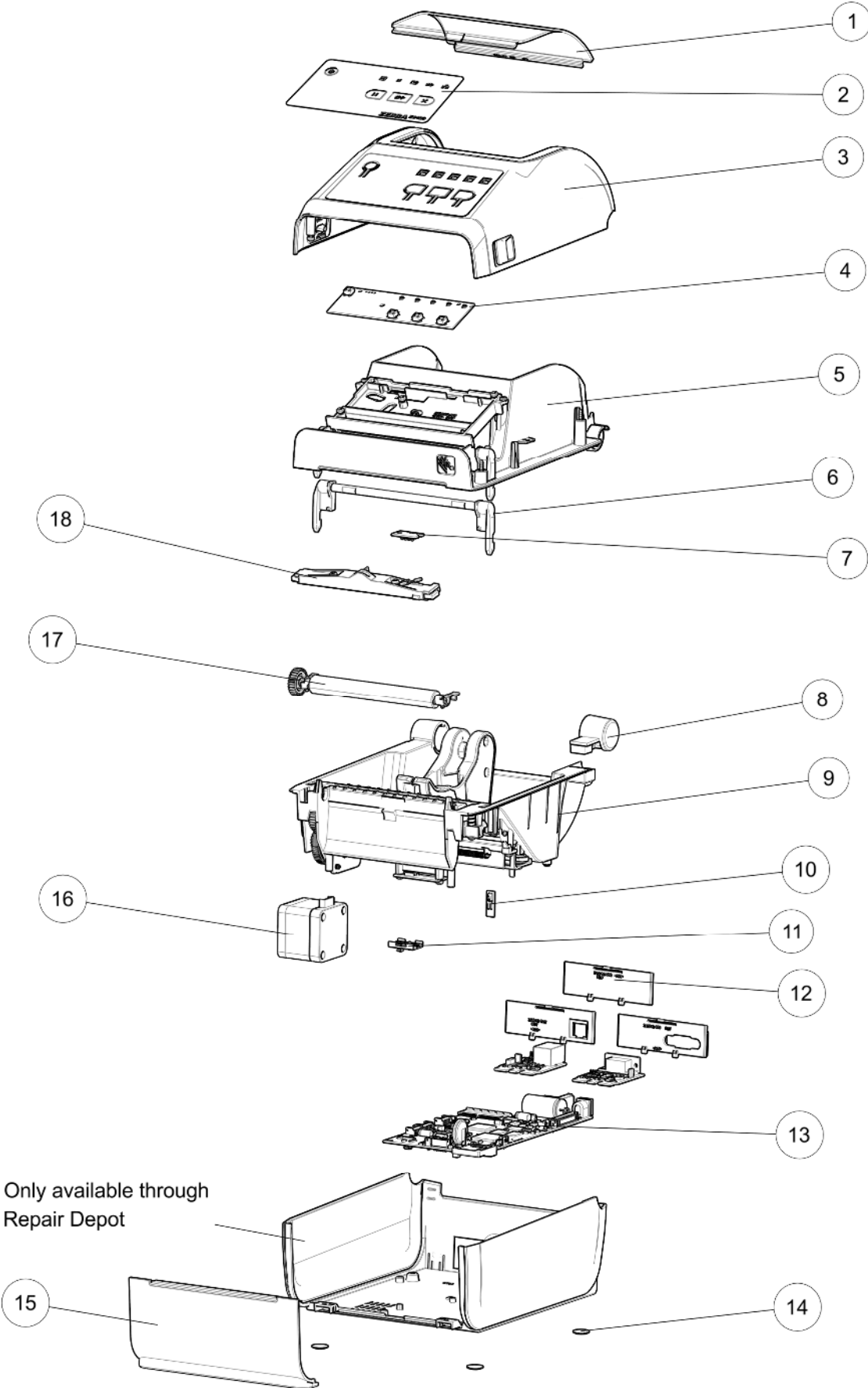


ZD420 Direct Thermal (203 & 300 DPI)



Only available through
Repair Depot

Spare Parts List

ZD420 Direct Thermal (203 & 300 DPI)

Item	Description	Part Number
1	Media Window	P1080383-400
2	Nameplate (contains nameplates with and without the Print Touch icon)	P1080383-401
3	Color Standard Models with the Print Touch icon (includes Media Window)	P1080383-403
	Color Standard Models without the Print Touch icon (includes Media Window)	P1080383-404
	Color Healthcare Models (white color) with the Print Touch icon (includes Media Window)	P1080383-405
4	Control Panel P1080383-208	P1080383-208
	Printer Head (without printhead)	P1080383-402
	Media Sensor	P1080383-406
	Upper Media Sensor (/ ap sensor)	P10-0003-013
8	Color Inlet	P10-0003-014
0	Print Mechanism 203dpi Print Mechanism 300dpi	P1080383-408 P1080383-400
10	Color Sensor	P1080383-011
11	Power Media Sensor (/ ac line sensor)	P1080383-410
12	4 Ear Cables (Ethernet & Standard) (includes 1 of each)	P1080383-411
13	Main Module (Ethernet)	P1080383-213
	Main Module (T+87)	P1080383-214
	Main Module (Wi-Fi)	P1080383-215
	Main Module (Serial)	P1080383-410
14	4 Screws (set of 4)	P1080383-021
15	Front Panel	P1080383-412
16	Motor (203dpi and 300dpi)	P1080383-221
17	Platen Roller 203dpi	P1080383-413
	Platen Roller 300dpi	P1080383-414
	Platen Roller (10 each)	P1080383-224
18	Printhead 203dpi	P1080383-415
	Printhead 300dpi	P1080383-416
Not shown	Printer Tray	P1080383-417
	Ink Dispenser (Front)	P1080383-418
	Roller (300dpi)	P1080383-421
	Roller (203dpi)	P1080383-422
	Media Core (203dpi)	P10-0003-033
	Media Core (300dpi) (When up to 1000 pages power functional also order the P1080383-034)	P1080383-034
	Media Core (300dpi) (When up to 1000 pages power functional also order the P1080383-035)	P1080383-035
	Mounting Bracket (A420d model in the same location as an A420d model is currently mounted: allows use of the A420d mounting hole pattern to mount a ?=420=)	P1080383-423
	Packaging (for shipping the printer)	P1080383-424
	Replacement Core (Healthcare printers with a local media cabinet (Buntit))	P1080383-407
	Replacement Core (Healthcare printers with a local media cabinet (includes 2 cores))	P1080383-431
	Power Cord (Type C) - (W1137 with 8 Euro cords for Standard Models)	P10-0003-021
	Power Cord (Type C) - (W124C with 8 Euro cords for Healthcare Models)	P10-0003-030
	Power Cord (Type C) - (W124C (power cord not included))	P1080383-430
	Power Cord (Type A): 120C * 8 320 13 (set of 1)	10(0-014)
	Power Cord (Type A): 220C * 8 320 13 (set of 1)	10(0-015)
	Power Cord (Type A): 240C * 8 320 13 (set of 1)	10(0-030)
	Power Cord (Type A): Australia 240C * 8 320 13 (set of 1)	10(0-020)
	Power Cord (Type A): China 220C 13 (set of 1)	10(0-008)
	Power Cord (Type A): Japan 12(CD)PN 13 (set of 1)	10(0-000)
	Power Cord (Type A): Argentina 13 (set of 1)	10(0-080)
	Power Cord (Type A): Brazil 10" N) 4 1413,7)razil (set of 1)	P1033401
	Power Cord (Type A): Israel 137 10" 7 * 8 * srael (set of 1)	P10,1022-020
	Power Cord (Type A): India 10" 7 * 8 * 12037 13 (set of 1)	P1080820
	Power Cord (Type A): Taiwan 12(C7 * 8 320 13 (set of 1)	P10-0003-036