



FOR PORTRAIT & LANDSCAPE MOUNTING

# BT8321

## SYSTEM X™ PORTRAIT SIGNAGE MOUNT

Designed to mount screens in a portrait orientation, the BT8321 is part of the dynamic System X Range and therefore features a contemporary, lightweight yet incredibly strong design with a high-end aesthetic quality, mounting the screen close to the wall whilst leaving enough space for easy access to screen inputs and cabling. Also suitable for mounting screens in landscape style, height adjustment screws allow mounted screens to be levelled perfectly after installation and safety screws feature as standard to help prevent unauthorised screen removal.

### SPECIFICATION

|   |                        |
|---|------------------------|
| Recommended screen size                         | 40" - 65"              |
| Max load  | 70kg                   |
| VESA® compatibility                             | 200 x 200 to 600 x 400 |
| Distance from wall (with included adapter arms) | 54mm*                  |
| Colour (horizontal rail)                        | Black or Silver        |
| Colour (VESA arms)                              | Black                  |

\*Please note the total dimension includes the interface adaptor arms. If only using up to VESA 400 x 400 the depth can be reduced by 6mm by removing the adaptor arms.

### FEATURES

- Can also be fitted in landscape orientation
- Arms feature levelling screws to adjust the screen height
- Pole mounted version for ceiling and floor mounting is available on request
- Safety screws help prevent unauthorised removal of screens
- High-end aesthetic quality for a neat and tidy install
- Includes interface adaptor arms as standard for VESA 600 x 400 fixings
- All mounting hardware included



SINGLE POLE DOUBLE POLE HORIZONTAL RAIL



Close to the wall installation whilst leaving enough space for easy access to screen inputs and cabling



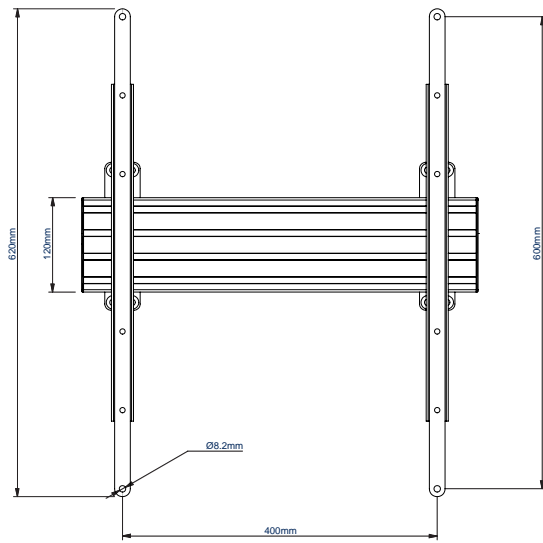
Arms feature levelling screws to adjust the screen height



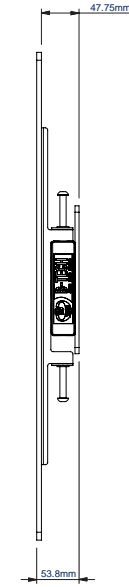
High-end aesthetic quality for a neat and tidy install



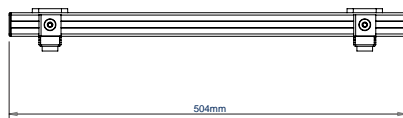
Pole mounted options are also available using System 2 poles, collars and ceiling mounts



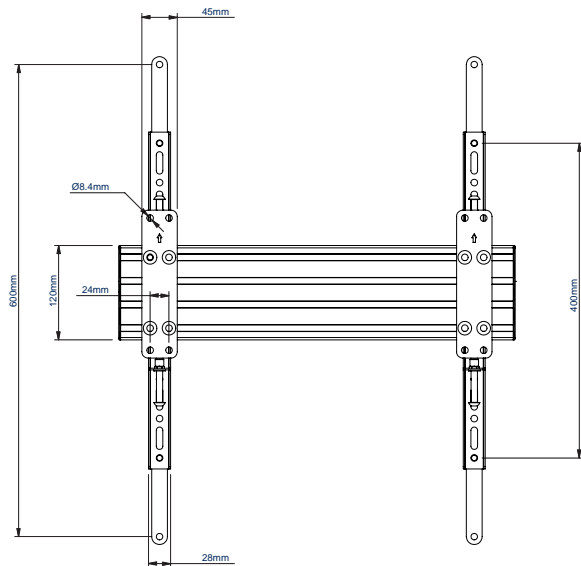
FRONT VIEW



SIDE VIEW



TOP VIEW



REAR VIEW

PACKING INFORMATION

| COLOUR:                   | ORDER REF: | EAN CODE:     | MASTER CARTON QTY: | INNER CARTON QTY: | MASTER CARTON WEIGHT: | MASTER CARTON CUBE: |
|---------------------------|------------|---------------|--------------------|-------------------|-----------------------|---------------------|
| Black Arms w/ Black Rail  | BT8321/B   | 5019318501890 | 1                  | 0                 | 5kg                   | 0.043cbm            |
| Black Arms w/ Silver Rail | BT8321/S   | 5019318501616 | 1                  | 0                 | 5kg                   | 0.043cbm            |

ACCESSORIES AND RELATED PRODUCTS



**BT7822**  
Heavy Duty Ceiling Mount can be used with System 2 poles and collars to create ceiling mounted solutions



**BT7850**  
Ø50mm Poles available in 6 different lengths: 0.25m, 0.5m, 1m, 1.5m, 2m and 3m



**BT7841**  
Heavy Duty Accessory Collar can be used to pole mount BT8321 when used in conjunction with BT8390-CFK



**BT8390-CFK**  
Collar Fixing Kit allows BT8321 and other System X mounts to be pole mounted

© 2015 B-Tech Mounts Professional Design & Manufacturing Ltd. All rights reserved. No part of this publication may be reproduced, stored in a retrieval system, or transmitted, in any form or by any means, electronic, mechanical, photocopying, recording, or by any information storage and retrieval system, without the prior written permission of B-Tech Mounts Professional Design & Manufacturing Ltd. This document and its contents are the property of B-Tech Mounts Professional Design & Manufacturing Ltd. It is to be used for information only and does not constitute an offer or a contract. B-Tech Mounts Professional Design & Manufacturing Ltd. is not responsible for any damage or loss of data caused by the use of this document. B-Tech Mounts Professional Design & Manufacturing Ltd. is not responsible for any damage or loss of data caused by the use of this document.

SS-V2.2-BT8321-280618