

# HYDRA2

## Dual Monitor Mount with Articulating Arms

Hydra2 is an Articulating Dual-Head Monitor Mount. Sleek and modern design combined with durable real-world ergonomic engineering makes up the DNA of the Hydra.

Have Hydra work for you to help reduce strain and stress by having your display at the right position customized for you. Work more effectively by freeing-up your valuable desk space. Dynamically rotate and pivot screens when working on different tasks or sharing your display with others.

Have the flexibility to create your own personal workspace with these dynamic features:

- Mount Dual 15-28" Monitors to a Desktop
- Also supports most 29" displays
- 360° monitor rotation, Landscape/Portrait
- Multiple Points of Articulation
- Attaches via Built-In Clamp
- Extension Arms Add 10" of Length, Increases Lateral Articulation
- Internal Cable Management
- Standard VESA 75x75 or 100x100



See more, Do more, and Be more with Amer Mounts.

## Specifications

### General

|                     |                                |
|---------------------|--------------------------------|
| Max Hole Pitch:     | • 100x100/75x75mm              |
| Material:           | • Steel/Aluminum/Alloy/Plastic |
| Colour:             | • White/Black/Chrome           |
| Swivel(Hinge):      | • Max. +/-90°                  |
| Tilt in the hinge:  | • Max. -90°/+85°               |
| Height adjust arm:  | • Max. +/-45°                  |
| Rotate(Pole Pivot): | • 360°                         |

|                              |  |
|------------------------------|--|
| Box weight:                  | • 5.58kg (12.3lbs)                         |
| Box size (W*H*D):            | • 478*310*136 mm<br>18.82" x 12.2" x 5.35" |
| Master weight:               | • 6.04 kg (13.35lbs)                       |
| Master carton size: (W*H*D): | • 490*330*160 mm<br>19.29" x 12.99" x 6.3" |
| Support Most Panel Size:     | • 15" - 28", most 29"                      |
| Support Weight:              | • 2.5-8kg (5.5-18 lbs)                     |

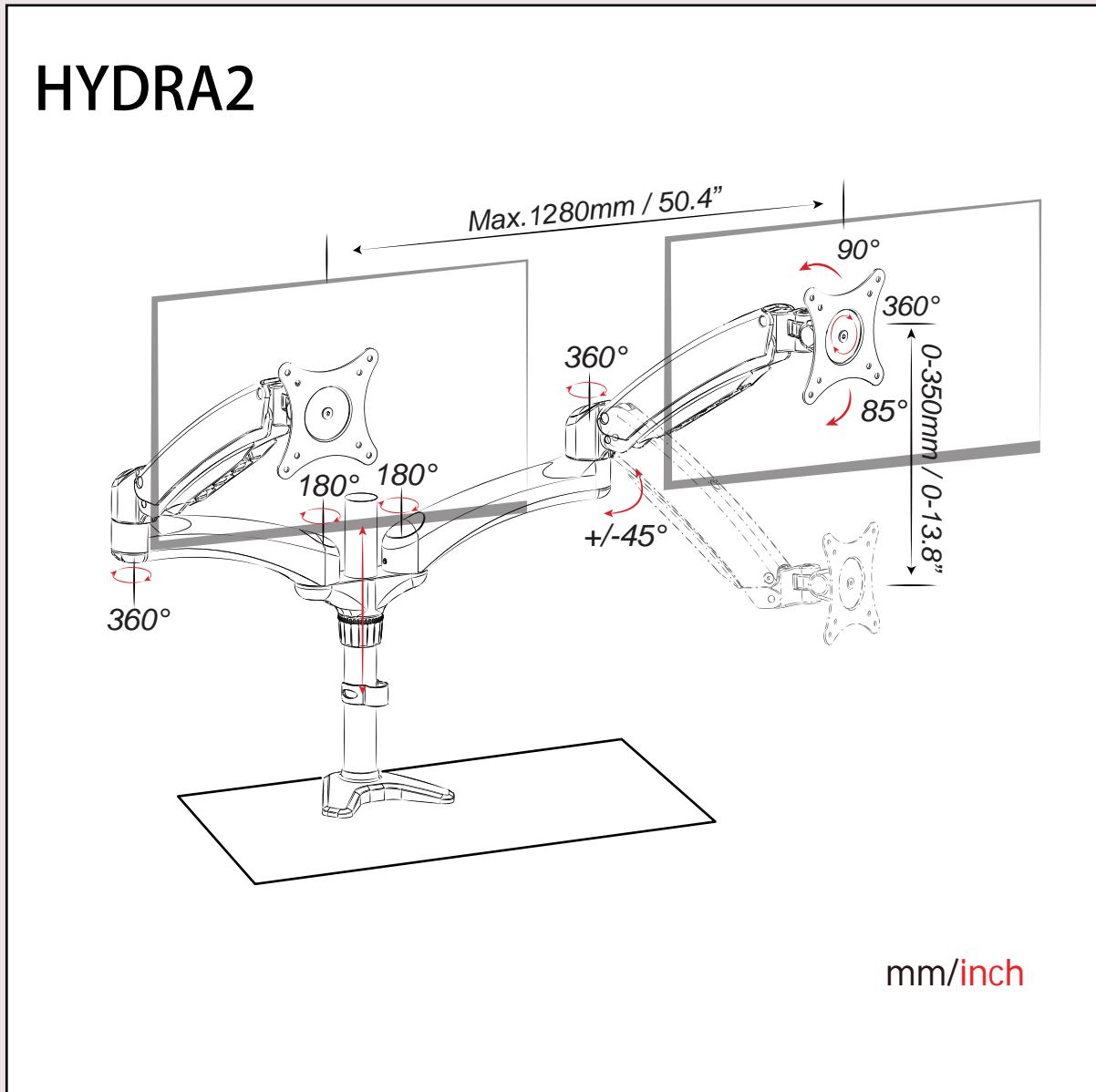
### Warranty and Support

Warranty: 1 Year

Support: Free technical support (phone/email)

# HYDRA2

Dual Monitor Mount with Articulating Arms



[www.amer.com](http://www.amer.com) / [www.amermounts.com](http://www.amermounts.com)

[sales@amer.com](mailto:sales@amer.com)  
1-800-262-9703

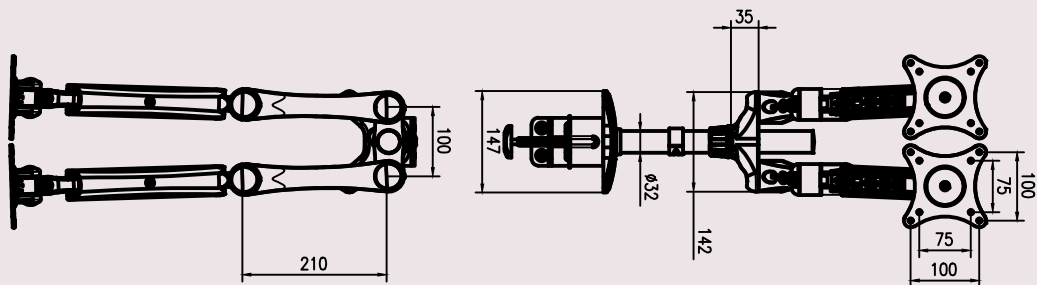
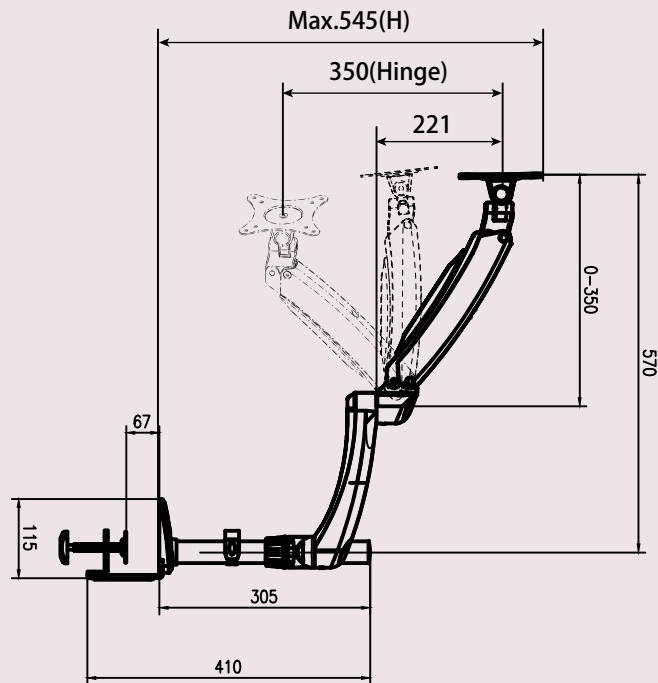
Specifications subject to change without notice. Errors and omissions excepted. All trademarks are properties of their respective owners.

Revision 2.01

# HYDRA2

Dual Monitor Mount with Articulating Arms

## HYDRA2



MM/inch

[www.amer.com](http://www.amer.com) / [www.amermounts.com](http://www.amermounts.com)

sales@amer.com  
1-800-262-9703

Specifications subject to change without notice. Errors and omissions excepted. All trademarks are properties of their respective owners.

Revision 2.01