

HYDRA3

Triple Monitor Mount with Articulating Arms

Hydra3 is an Articulating Triple-Head Monitor Mount. Sleek and modern design combined with durable real-world ergonomic engineering makes up the DNA of the Hydra.

Have Hydra work for you to help reduce strain and stress by having your display at the right position customized for you. Work more effectively by freeing-up your valuable desk space. Dynamically rotate and pivot screens when working on different tasks or sharing your display with others.

Have the flexibility to create your own personal workspace with these dynamic features:

- Mount Three 15-28" Flat or Curved Screen Monitors to a Desktop
- Also supports most 29" displays
- 360° monitor rotation, Landscape/Portrait
- Multiple Points of Articulation
- Attaches via Built-In Clamp
- Extension Arms Add 10" of Length, Increases Lateral Articulation
- Internal Cable Management
- Standard VESA 75x75 or 100x100



See more, Do more, and Be more with Amer Mounts.

Specifications

General

Max Hole Pitch:	• 100x100/75x75mm
Material:	• Steel/Aluminum/Alloy/Plastic
Colour:	• White/Black/Chrome
Swivel(Hinge):	• Max. +/-90°
Tilt in the hinge:	• Max. -90°/+85°
Height adjust arm:	• Max. +/-45°
Rotate(Pole Pivot):	• 360°

Box weight:	• 8.38 kg (18.5lbs)
Box size (W*H*D):	• 480*475*140 mm 18.9" x 18.7" x 5.5"
Master weight:	• 8.88 kg (20 lbs)
Master carton size: (W*H*D):	• 490*483*163 mm 19.29" x 19" x 6.42"
Support Most Panel Size:	• 15" - 28", most 29"
Support Weight:	• 2.5-8kg (5.5-18lbs)

Warranty and Support

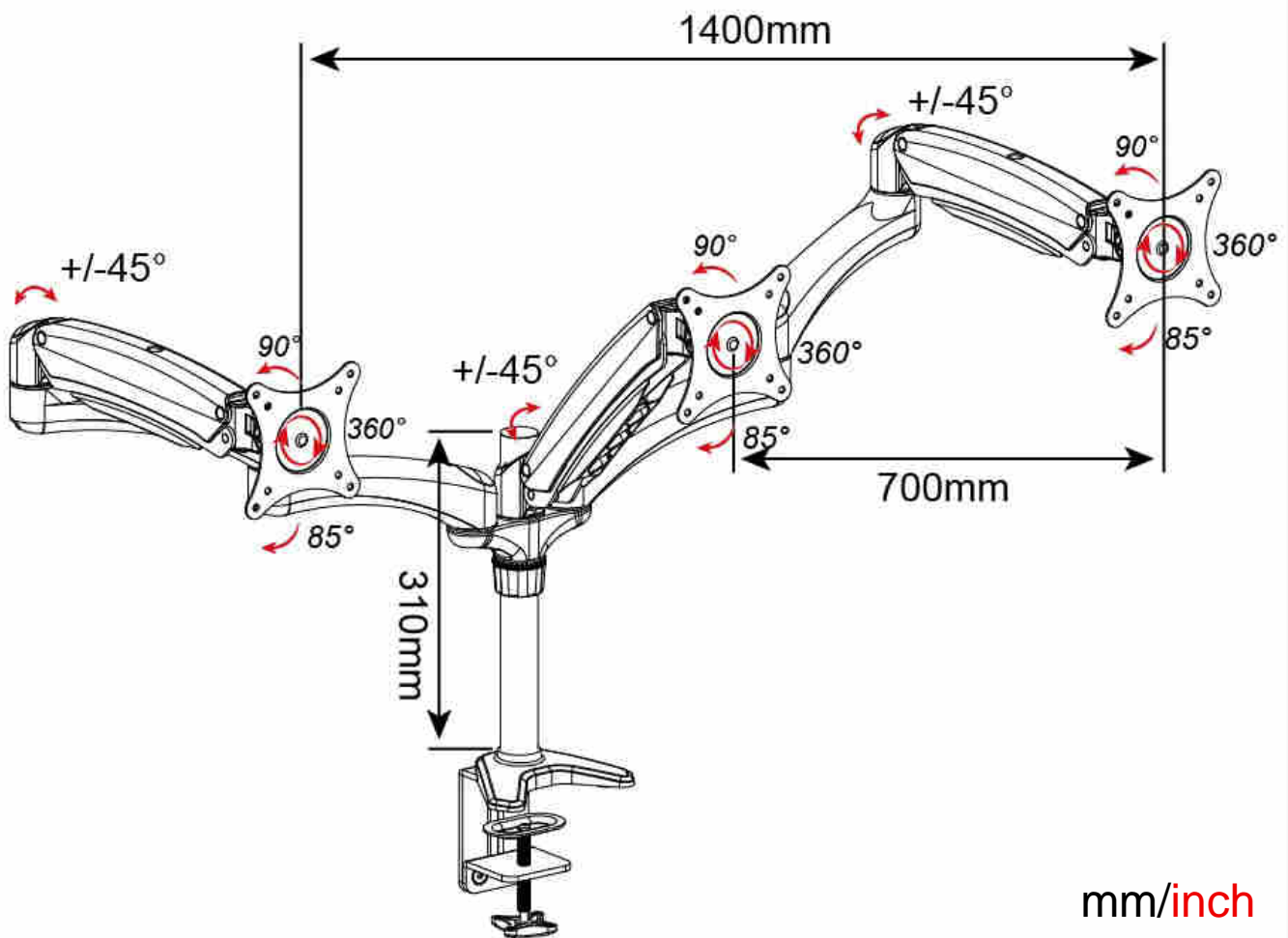
Warranty: 1 Year

Support: Free technical support (phone/email)

HYDRA3

Triple Monitor Mount with Articulating Arms

HYDRA3



www.amer.com / www.amermounts.com

sales@amer.com
1-800-262-9703

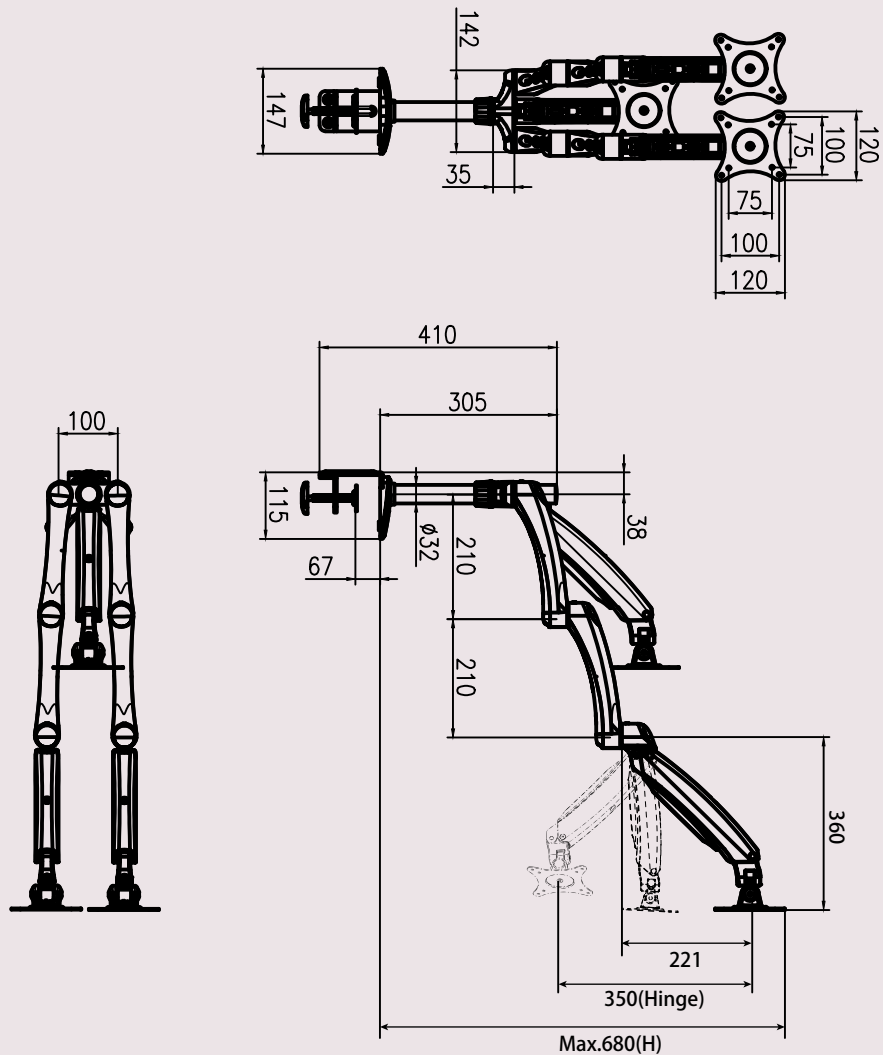
Specifications subject to change without notice. Errors and omissions excepted. All trademarks are properties of their respective owners.

Revision 2.01

HYDRA3

Triple Monitor Mount with Articulating Arms

HYDRA3



mm/inch

www.amer.com / www.amermounts.com

sales@amer.com
1-800-262-9703

Specifications subject to change without notice. Errors and omissions excepted. All trademarks are properties of their respective owners.

Revision 2.01