

Cable and Port Specifications

This appendix provides cable and port specifications for all of the Cisco Nexus 5000 Series switches.

This appendix includes the following sections:

- [Console Port, page C-2](#)
- [Supported Power Cords and Plugs, page C-3](#)
- [Jumper Power Cord, page C-9](#)

Console Cable

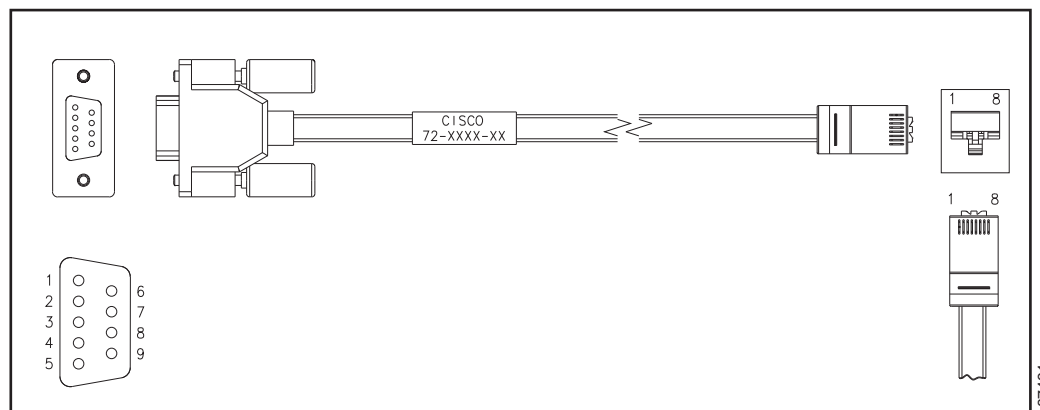


Note

This section applies to the Cisco Nexus 5000 Series switches.

The console cable has a RJ-45, RS-232 connector on one end and a DB9 connector on the other end. See [Figure C-1](#).

Figure C-1 Console Cable



Cable RJ-45 Connector Pinouts

Table C-1 lists the pinouts for the RJ-45 connector on the console cable.

Table C-1 Cable Connector Pinouts

Signal Name	P1, P1-45 Pins	P2, DB-9 Pins	Signal Name
RTS	1	8	CTS
DTR	2	6	DSR
TXD	3	2	ZXD
GND	4	5	GND
GND	5	5	GND
ZXD	6	3	TXD
DSR	7	4	DTR
CTS	8	7	RTS

Console Port



Note

This section applies to the Cisco Nexus 5500 Platform switches and the Cisco Nexus 5000 Platform switches.

The console port is an asynchronous RS-232 serial port with an RJ-45 connector.

Console Port Pinouts

Table C-2 lists the pinouts for the console port on the Cisco Nexus 5548 switch and the Cisco Nexus 5020 switch.

Table C-2 Console Port Pinouts for the Cisco Nexus 5548 Switch and the Cisco Nexus 5020 Switch

Pin	Signal
1	RTS
2	DTR
3	TxD
4	GND
5	GND
6	RxD
7	DSR
8	CTS

Table C-3 lists the pinouts for the console port on the Cisco Nexus 5010 switch.

Table C-3 Console Port Pinouts for the Cisco Nexus 5010 Switch

Pin	Signal
1	RTS
2	DTR
3	TxD
4	GND
5	GND
6	RxD
7	DSR
8	CTS

Supported Power Cords and Plugs

Each power supply has a separate power cord. Standard power cords or jumper power cords are available for connection to a power distribution unit that has IEC 60320 C19 outlet receptacles. The standard power cords have an IEC C13 connector on the end that plugs into the switch. The optional jumper power cords, for use in cabinets, have an IEC C13 connector on the end that plugs into the switch and an IEC C14 connector on the end that plugs into an IEC C13 outlet receptacle.



Note

Only the regular power cords or jumper power cords provided with the switch are supported.

Table C-4 lists the power cords and provides their lengths in feet and meters. Table C-5 lists the power cables for the HVAC/HVDC power supplies (NXA-PHV-1100W and NXA-PHV-1100W-B) that are available for the Cisco Nexus 5596 switch.

Table C-4 Power Cords for the Cisco Nexus 5000 Series Switches

Description	Length		Power Cord Reference Illustration
	Feet	Meters	
SFS-250V-10A-AR Power cord 250 VAC 10 A, IRAM 2073 plug Argentina	8.2	2.5	Figure C-2
CAB-9K10A-AU Power cord 250 VAC 10 A, 3112 plug, Australia	8.2	2.5	Figure C-3
SFS-250V-10A-CN Power cord 250 VAC 10 A, GB 2009 plug China	8.2	2.5	Figure C-4
CAB-9K10A-EU Power cord, 250 VAC 10 A, M 2511 plug Europe	8.2	2.5	Figure C-5

Table C-4 Power Cords for the Cisco Nexus 5000 Series Switches (continued)

Description	Length		Power Cord Reference Illustration
	Feet	Meters	
SFS-250V-10A-ID Power cord 250 VAC 16A, EL-208 plug South Africa, United Arab Emirates, India	8.2	2.5	Figure C-6
SFS-250V-10A-IS Power cord 250 VAC 10 A, SI-32 plug Israel	8.2	2.5	Figure C-7
CAB-9K10A-IT Power cord 250 VAC 10 A, CEI 23-16 plug Italy	8.2	2.5	Figure C-8
CAB-9K10A-SW Power cord 250 VAC 10 A, MP232 plug Switzerland	8.2	2.5	Figure C-9
CAB-9K10A-UK Power cord 250 VAC 10 A, BS1363 plug (13 A fuse) United Kingdom	8.2	2.5	Figure C-10
CAB-AC-250V/13A Power cord 250 VAC 13 A, NEMA L6-20 plug North America	6.6	2.0	Figure C-11
CAB-N5K6A-NA Power cord 250 VAC 10 A, NEMA 6-15 plug North America	8.2	2.5	Figure C-12
CAB-9K12A-NA Power cord 125 VAC 13 A, NEMA 5-15 plug North America	8.2	2.5	Figure C-13
CAB-C13-CBN Power cord 250 VAC 10 A, SS 10A plug	8.2	2.5	Figure C-14
CAB-IND-10A Power cord 250 VAC 10 A, EL 208B plug	8.2	2.5	Figure C-15
CAB-C13-C14-JMPR Cabinet Jumper Power Cord 250 VAC 13 A, C13-C14 Connectors	2.2	0.7	Figure C-16

Figure C-2 SFS-250V-10A-AR

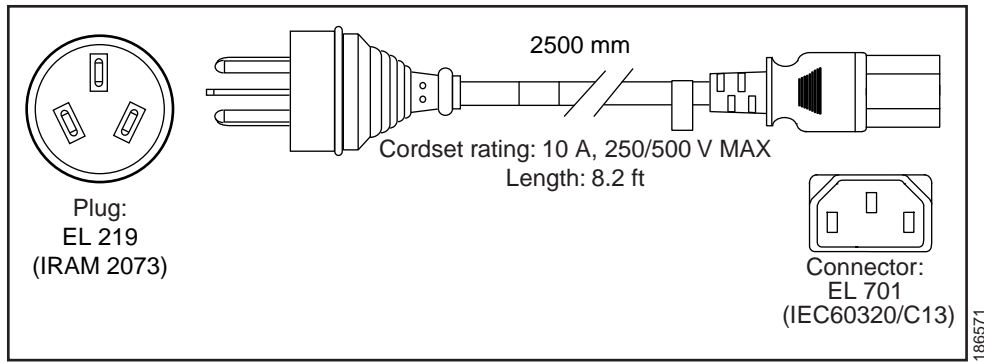


Figure C-3 CAB-9K10A-AU

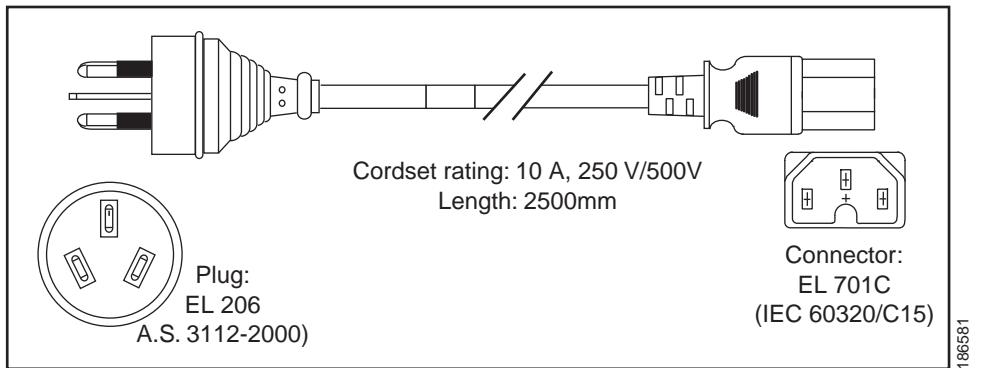


Figure C-4 SFS-250V-10A-CN

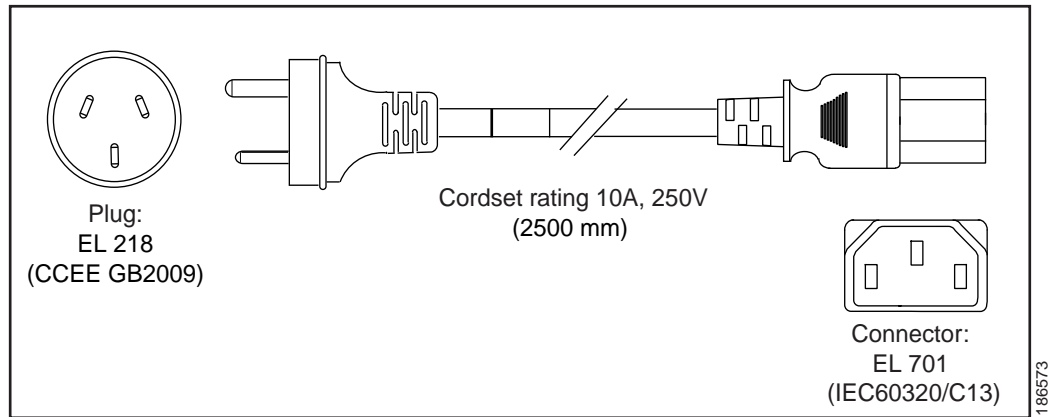
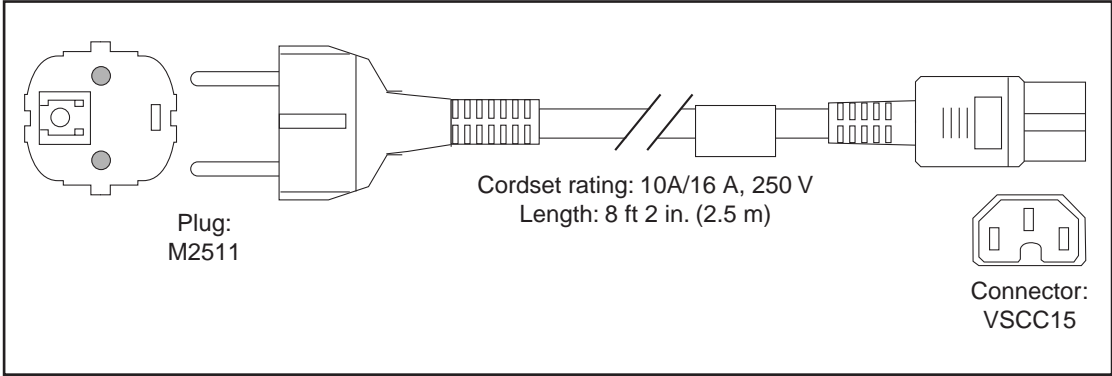
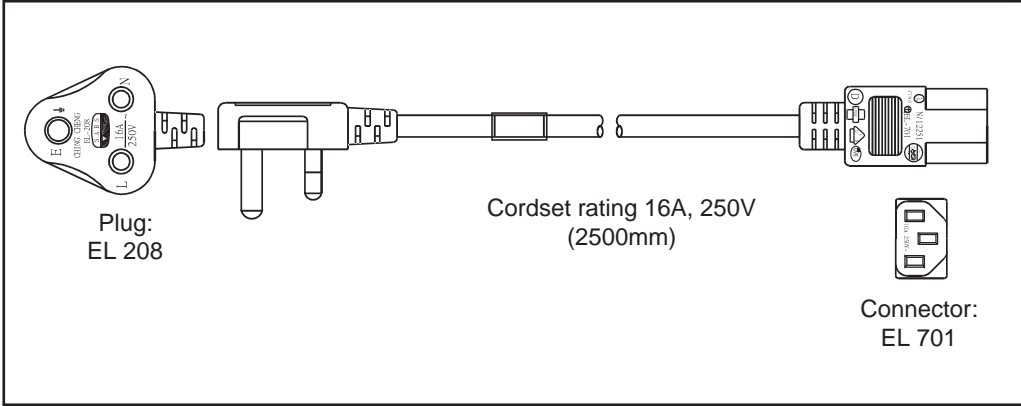


Figure C-5 CAB-9K10A-EU



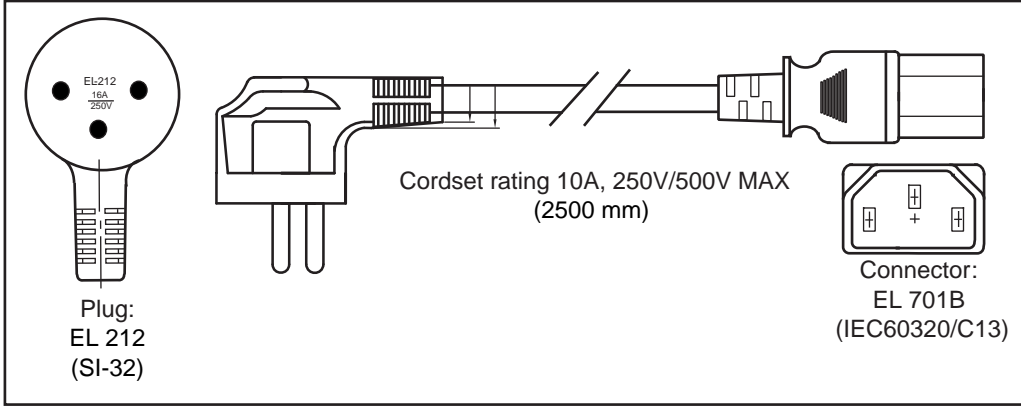
186576

Figure C-6 SFS-250V-10A-ID



187490

Figure C-7 SFS-250V-10A-IS



186574

Figure C-8 CAB-9K10A-IT

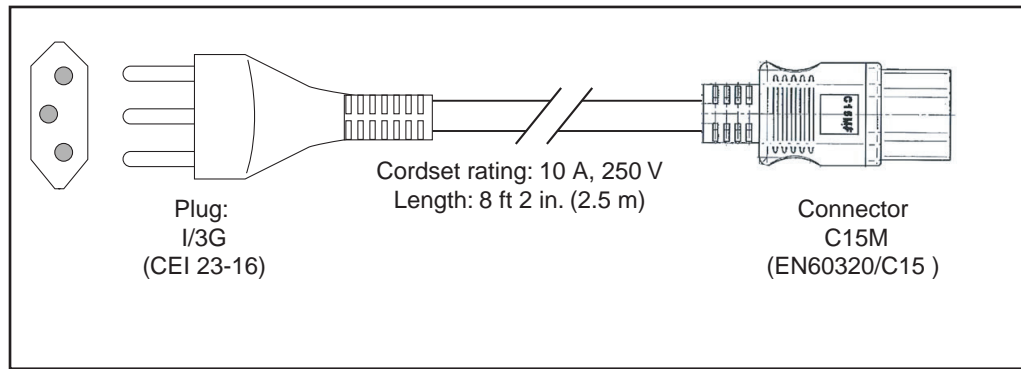


Figure C-9 CAB-9K10A-SW

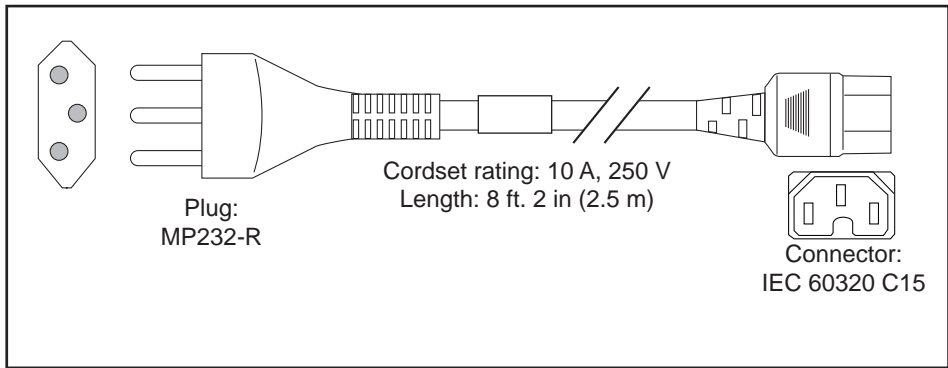


Figure C-10 CAB-9K10A-UK

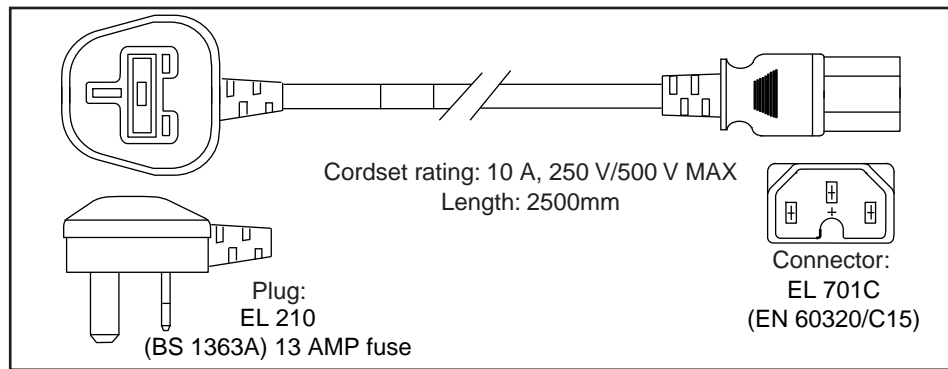


Figure C-11 CAB-AC-250V/13A

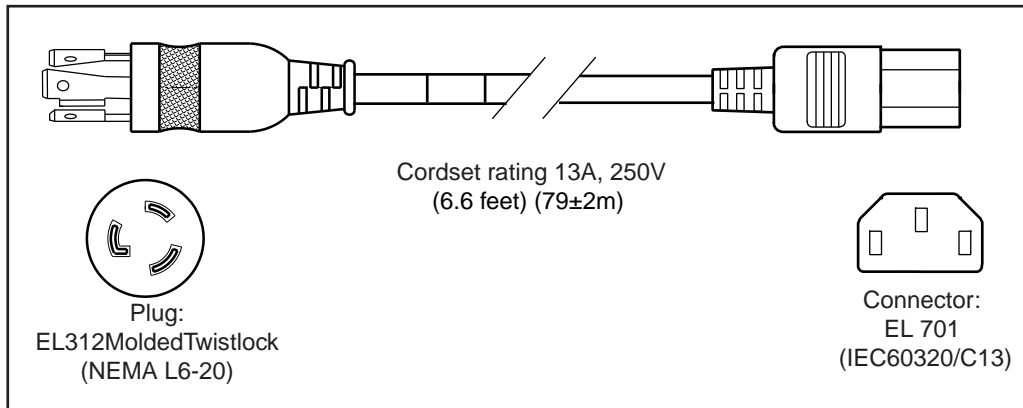


Figure C-12 CAB-N5K6A-NA

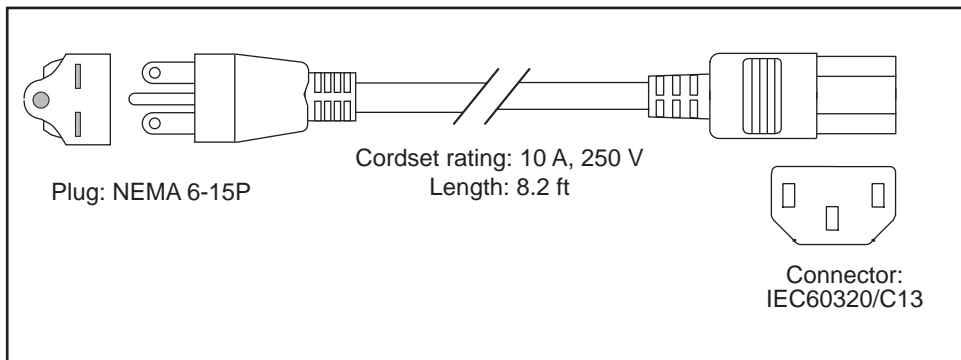


Figure C-13 CAB-9K12A-NA

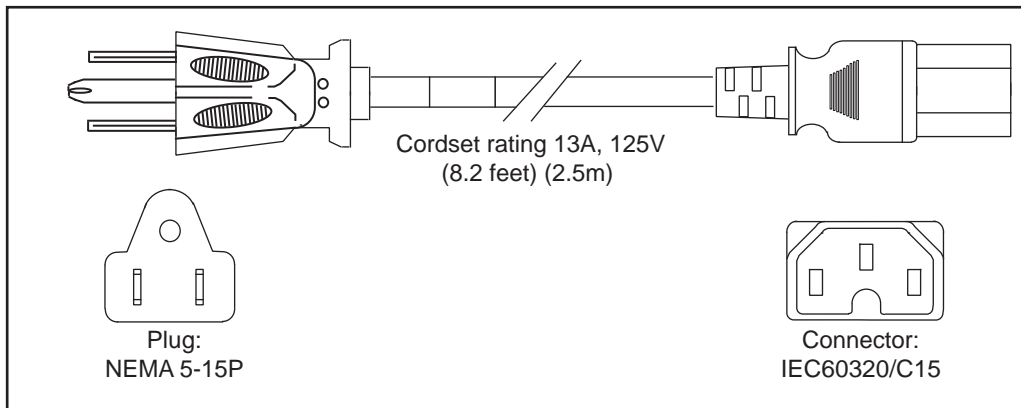


Figure C-14 CAB-C13-CBN

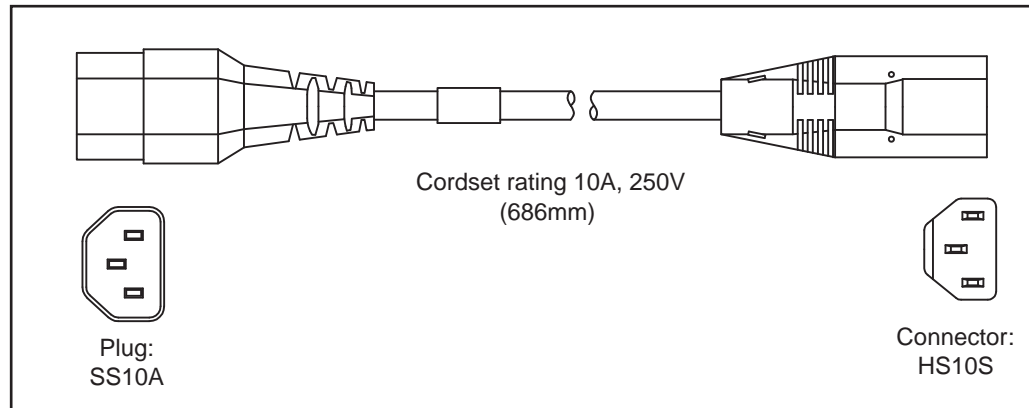


Figure C-15 CAB-IND-10A

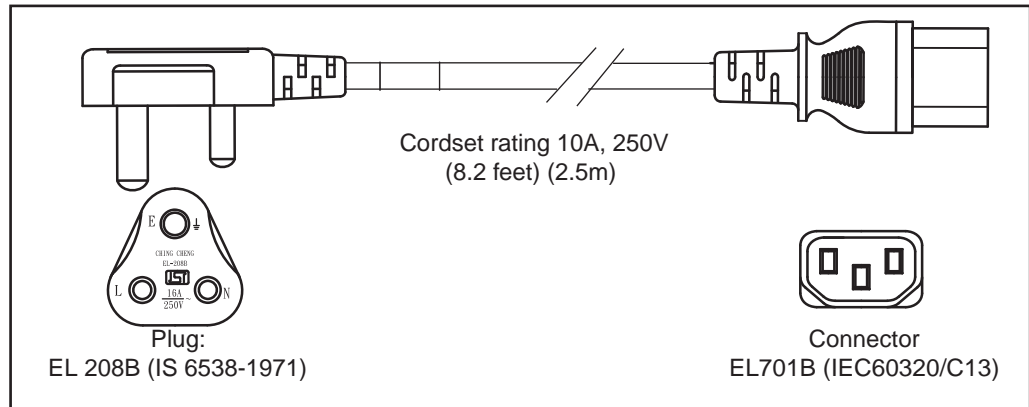


Table C-5 Power Cable Specifications for HVAC/HVDC Power Supplies

Power Type	Power Cord	Description
HVAC	CAB-HVAC-SD-0.6M	2-foot (0.6 m) cable with Saf-D-Grid and SD connectors (LS-25 straight)
HVAC	CAB-HVAC-C14-2M	6.6-foot (2.0 m) cable with Saf-D-Grid and C14 connector (use for up to 240 V)
HVAC	CAB-HVAC-RT-0.6M	2-foot (0.6 m) cable with Saf-D-Grid and RT connector (LS-25 right angle)
HVDC	CAB-HVDC-3T-2M	6.6-foot (2.0 m) cable with Saf-D-Grid and three terminal connectors

Jumper Power Cord

Figure C-16 shows the plug connector on the optional jumper power cord for the Cisco Nexus 5000 Series switches. This cable plugs into the power supply, and the receptacle of a power distribution unit for a cabinet. This cable comes in 6- and 9-foot (2- and 3-meter) lengths.

Figure C-16 CAB-C13-C14-JMPR, Jumper Power Cord

