

2/4-Port 4K DisplayPort Splitter

VS192 / VS194

The VS192 / VS194 2/4-Port 4K DisplayPort Splitter is the perfect solution for anyone who needs to send one source of DisplayPort high definition video to 2 or 4 DisplayPort displays. The VS192 / VS194, not only splits but also expands DisplayPort audio/video signals on 2 or 4 DisplayPort monitors, is ideal for any multi-display application.

The VS192 / VS194 is compatible with DisplayPort 1.2a and can support up to 4K resolution at 60 Hz, making it effective and ideal for use with all DisplayPort displays in corporate, educational, and commercial settings.

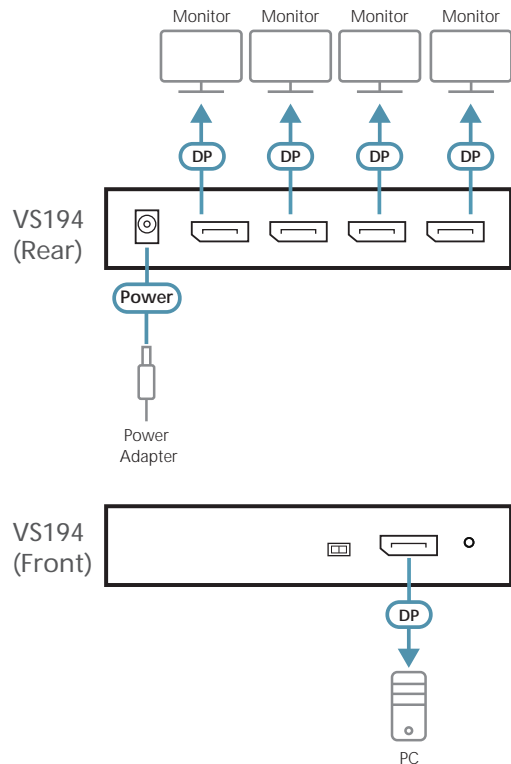


Features

- Connects one DisplayPort source to 2 or 4 DisplayPort monitors
- Supports DisplayPort 1.2a; HDCP 1.3
- Supports resolutions up to 4096 x 2160 / 3840 x 2160 @ 60 Hz
- Supports MST / Extend Mode and SST / Split Mode*
 - **MST / Extend Mode:**
Extend a video source across 2 / 4 displays with a maximum resolution of 4K.
 - **SST / Split Mode:**
Duplicate a single video source to 2 / 4 displays with a maximum resolution of 4K on each monitor
- Supports Linkrate: HBR2 (High Bit Rate 2)

Note:

* The VS192 / VS194 will bypass EDID Mode during SST Mode and will detect the resolution of the monitor connected to port 1.



Specifications

	VS192	VS194
Video Output		
Interfaces	2 x DisplayPort Female (Black)	4 x DisplayPort Female (Black)
Max. Distance	4.6 m (4096 x 2160 / 3840 x 2160 @ 60 Hz) *tested with 2L-7D04DP	
Video Input		
Interfaces	1 x DisplayPort Female (Black)	
Max. Distance	4.6 m (4096 x 2160 / 3840 x 2160 @ 60 Hz) *tested with 2L-7D04DP	
Video		
Compliance	DP 1.2a; HDCP 1.3	
Max. Resolution	Up to 4096 x 2160 / 3840 x 2160 @ 60 Hz	
Max. Data Rate	21.6 Gbps (5.4 Gbps per lane)	
Power		
Connectors	1 x DC Jack	1 x DC Jack
Consumption	DC 5 V : 1.185 W : 6 BTU	DC 5 V : 3.36 W : 44 BTU
Environmental		
Operating Temperature	0 - 40 °C	
Storage Temperature	-20 - 60 °C	
Humidity	0 - 80% RH, Non-Condensing	
Physical Properties		
Housing	Metal	
Weight	0.30 kg	0.33 kg
Dimensions (L x W x H)	12.50 x 8.00 x 2.50 cm	12.50 x 8.00 x 2.50 cm

