

Redwing Series

Power Supplies XP350R7 / XP400R7 / XP500R7 / XP600R7

The latest generation of Redwing power supplies combines an exciting design with modern technology and top quality. In the current revision, the power supply series has been completely revised and adapted to the demands of today's computer systems. The result not only convinces through its efficient technic, but with its modern design and high stability. The connections have been coordinated to current systems and four integrated safety circuits always ensure safe operation.

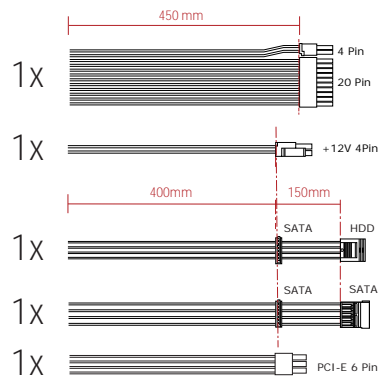


Product Features

- Powerful: Optimal performance in every situation
- Whisper-Silent Cooling: 1x 120mm fan
- Reliable: Maximum stability at all time
- The following safety features:
 - OVP (Over Voltage Protection)
 - UVP (Under Voltage Protection)
 - SCP (Short Circuit Protection)
 - OLP (Over Load Protection)

Technical Data | XP350R7

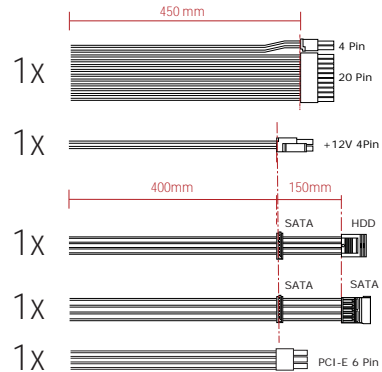
	AC INPUT	DC OUTPUT
XP350R7	200V - 240V	+ 3.3V 16.0A
		+ 5.0V 16.0A
		+ 12.0V 22.0A
		- 12.0V 0.5A
		+ 5.0VSB 2.5A



Redwing Series

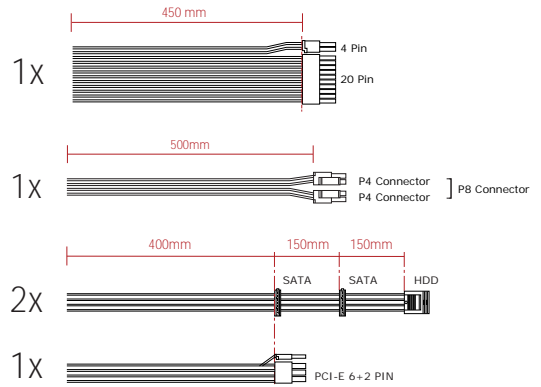
Technical Data | XP400R7

	AC INPUT	DC OUTPUT
XP400R7	200V - 240V	+ 3.3V 16.0A
		+ 5.0V 16.0A
		+ 12.0V 22.0A
		- 12.0V 0.5A
		+ 5.0VSB 2.5A



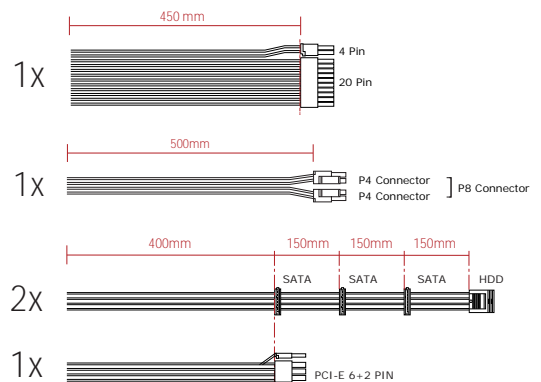
Technical Data | XP500R7

	AC INPUT	DC OUTPUT
XP500R7	200V - 240V	+ 3.3V 22.0A
		+ 5.0V 20.0A
		+ 12.0V 32.0A
		- 12.0V 0.5A
		+ 5.0VSB 2.5A



Technical Data | XP600R7

	AC INPUT	DC OUTPUT
XP600R7	200V - 240V	+ 3.3V 24.0A
		+ 5.0V 24.0A
		+ 12.0V 38.0A
		- 12.0V 0.5A
		+ 5.0VSB 2.5A



Logistical Data

Manufacturer Number	XP350R7	XP400R7	XP500R7	XP600R7
Item Number	XN050	XN051	XN052	XN053
EAN Barcode	4044953501111	4044953500350	4044953500367	4044953500374



All trademarks and registered marks are the property of their respective companies. Errors excepted. Subject to change without prior notice. Images may differ from original product.