

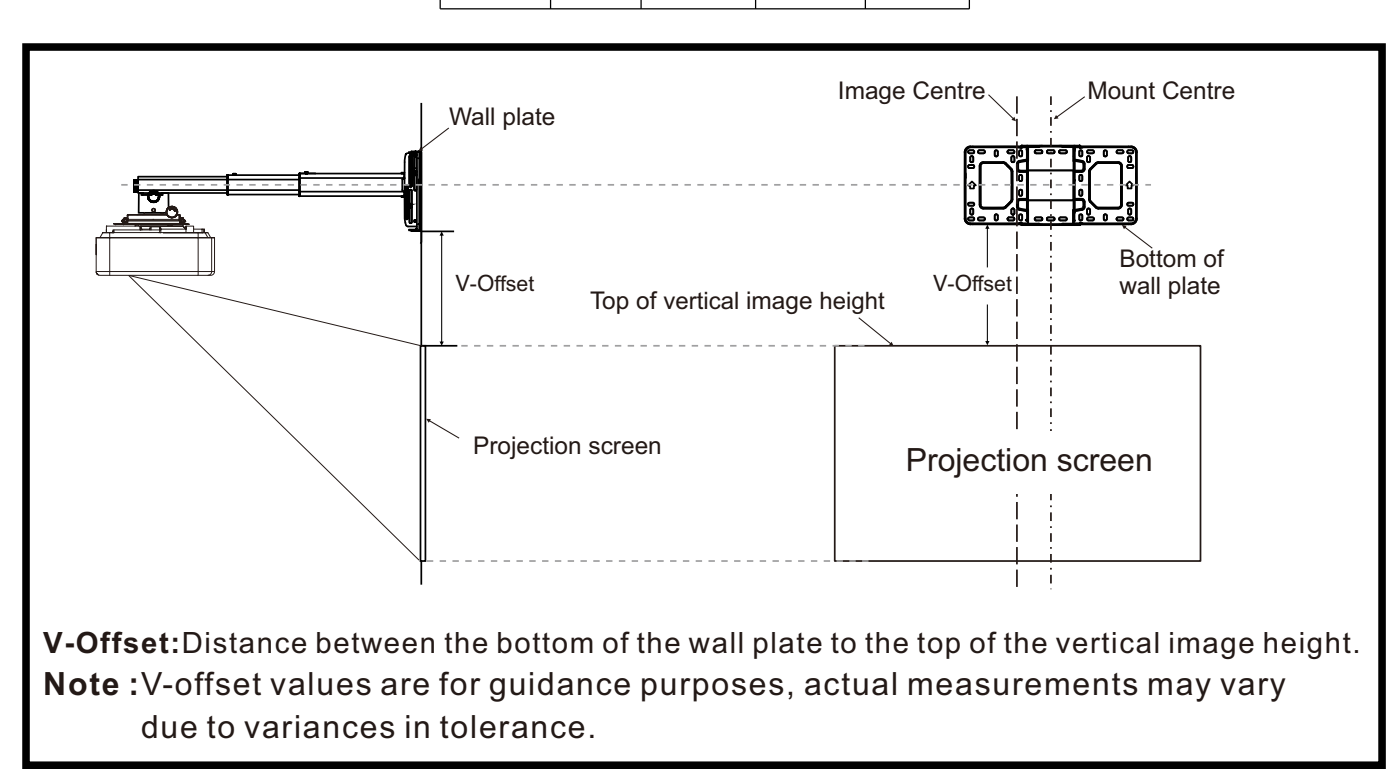
Lamp based models

XGA	WXGA	1080P
70"	85"	80"
74"	87"	89"
80"	90"	90"
90"	100"	100"
100"	110"	
	115"	

Laser based models

WXGA	1080P	UW
85"	80"	
87"	89"	
90"	90"	
100"	100"	
110"		120"
115"		125"
		130"
		140"

XGA(4:3 Aspect Ratio)					WXGA(16:10 Aspect Ratio)					1080P(16:9 Aspect Ratio)				
Projector Resolution	Diagonal	Image Size Width (in/mm)	Image Size Height (in/mm)	V-Offset (in/mm)*	Projector Resolution	Diagonal	Image Size Width (in/mm)	Image Size Height (in/mm)	V-Offset (in/mm)*	Projector Resolution	Diagonal	Image Size Width (in/mm)	Image Size Height (in/mm)	V-Offset (in/mm)*
XGA	70"	56.0(1442)	42.0(1066)	9.3(237)	WXGA	85"	74.0(1879)	46.3(1175)	9.5(241)	1080P	80"	69.7(1770)	39.2(996)	9.6(244)
	74"	59.2(1503)	44.4(1127)	10.1(257)		87"	76.4(1940)	47.7(1212)	9.3(237)		89"	77.6(1972)	43.7(1109)	10.4(265)
	80"	64.1(1627)	48.0(1220)	10.7(272)		90"	78.4(1992)	44.1(1121)	11.6(293)		90"	78.4(1992)	44.1(1121)	11.6(293)
	90"	72.0(1828)	54.0(1371)	11.7(294)		100"	84.8(2155)	53.0(1347)	10.6(267)		100"	87.2(2214)	49.1(1246)	11.4(289)
	100"	80.0(2033)	60.0(1525)	12.8(324)		110"	93.3(2370)	58.3(1481)	11.3(287)					
						115"	97.4(2475)	60.9(1547)	11.7(297)					



V-Offset: Distance between the bottom of the wall plate to the top of the vertical image height.  
 Note: V-Offset values are for guidance purposes, actual measurements may vary due to variances in tolerance.

WXGA(16:10 Aspect Ratio)					1080P(16:9 Aspect Ratio)					UW(16:6 Aspect Ratio)				
Projector Resolution	Diagonal	Image Size Width (in/mm)	Image Size Height (in/mm)	V-Offset (in/mm)*	Projector Resolution	Diagonal	Image Size Width (in/mm)	Image Size Height (in/mm)	V-Offset (in/mm)*	Projector Resolution	Diagonal	Image Size Width (in/mm)	Image Size Height (in/mm)	V-Offset (in/mm)*
WXGA	85"	74.0(1879)	46.3(1175)	9.5(241)	1080P	80"	69.7(1770)	39.2(996)	9.6(244)	UW	120"	112.5(2857)	42.2(1071)	14.8(375)
	87"	76.4(1940)	47.7(1212)	9.3(237)		89"	77.6(1972)	43.7(1109)	10.4(265)		125"	117.2(2976)	43.8(1116)	15.3(389)
	90"	78.4(1992)	44.1(1121)	11.6(293)		90"	78.4(1992)	44.1(1121)	11.6(293)		130"	121.9(3095)	45.7(1161)	16.0(402)
	100"	84.8(2155)	53.0(1347)	10.6(267)		100"	87.2(2214)	49.1(1246)	11.4(289)		140"	131.2(3333)	49.2(1250)	16.8(428)
	110"	93.3(2370)	58.3(1481)	11.3(287)										
	115"	97.4(2475)	60.9(1547)	11.7(297)										

Note: \* ±40mm (±1.6in) adjustment

- 技术要求:
1. 纸张大小: 480mm × 750mm;
  2. 背面贴胶 (普通双面胶), 两段双面胶 (胶宽10mm, 长100mm), 位置如右图;
  3. 所用材料必须符合合旭《环境管理物质限定标准》规定。