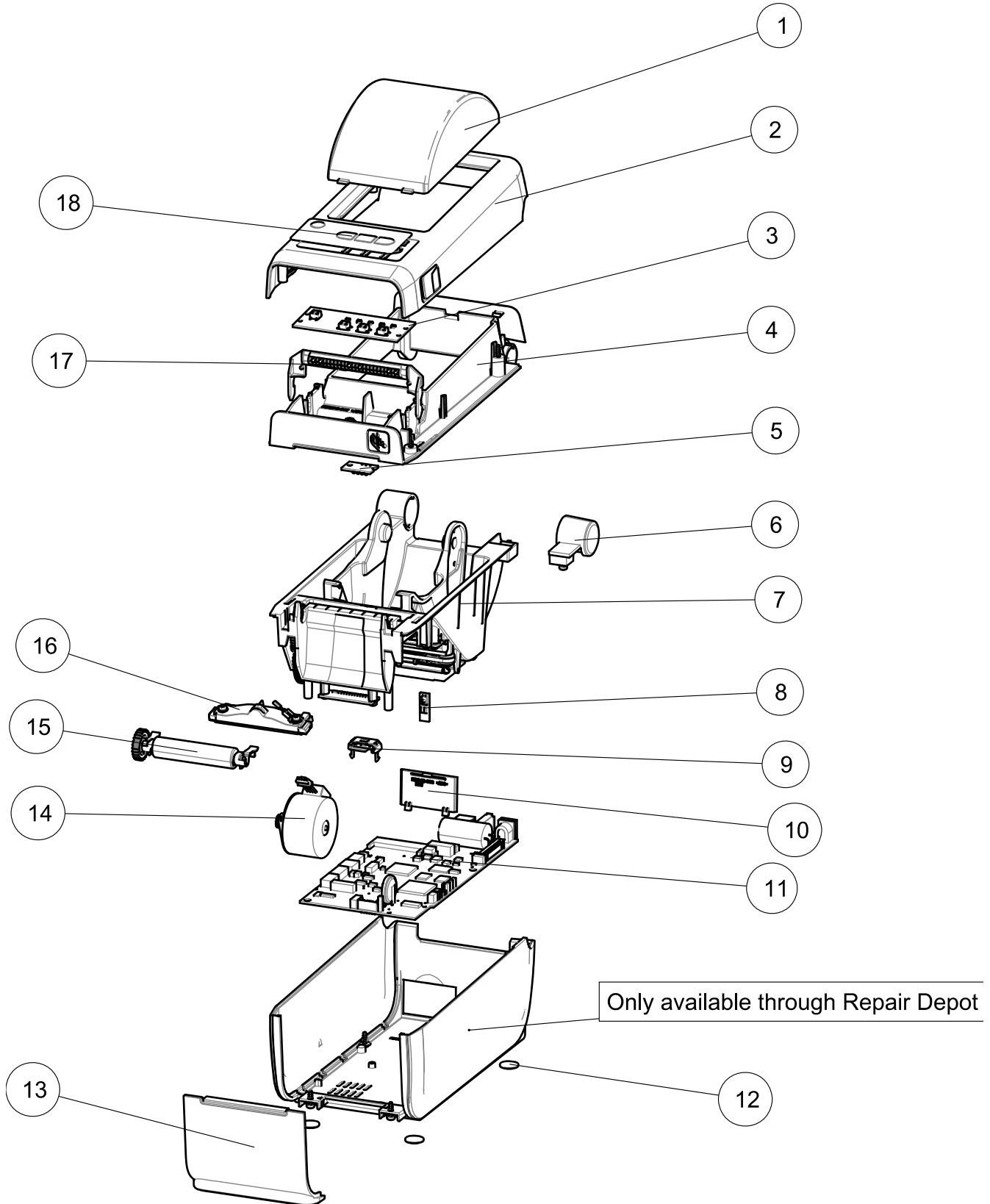


**ZD410 (203 & 300 DPI)**



## Spare Parts List Desktop Printers

### ZD410 (203 & 300 DPI)

Item	Description	Part Number
1	Media Window	P1079903-002
2	Cover Assembly (includes Media Window), for Standard Models Cover Assembly (includes Media Window), for Health Care Models	P1079903-001 P1079903-036
3	Control Panel	P1079903-015
4	Inner Lid w/o Printhead	P1079903-017
5	Upper Gap Sensor	P1079903-013
6	Cover Hinge	P1079903-016
7	Print Mech., 203 DPI Print Mech., 300 DPI	P1079903-018 P1079903-019
8	Head Up Sensor	P1080383-011
9	Blackline Sensor	P1079903-012
10	Rear Bezel, Serial, Ethernet, Standard (includes 1 of ea.)	P1079903-004
11	MLB, Standard, Interface M, USB/USB Host, Bluetooth LE MLB, Interface, Ethernet, USB/USB Host, Bluetooth LE MLB, Interface W, 802.11ac, Bluetooth 4.0, USB/USB HOST, Region R1 (US/Canada) MLB, Interface W, 802.11ac, Bluetooth 4.0, USB/USB HOST, Region R2 (ROW) MLB, Interface W, 802.11ac, Bluetooth 4.0, USB/USB HOST, Region R3 (Japan)	P1079903-007 P1079903-008 P1079903-009 P1079903-028 P1079903-029
12	Rubber Foot (set of 4)	P1080383-021
13	Front Bezel, Standard	P1079903-020
14	Motor Assy., 203dpi Motor Assy., 300dpi	P1079903-005 P1079903-006
15	Platen Roller Platen Bearings, L& R (set of 10 ea.)	P1079903-003 P1079903-014
16	Printhead, 203dpi Printhead, 300dpi	P1079903-010 P1079903-011
17	Latch Assembly	P1079903-031
18	Nameplate ZD410	P1079903-023
Not Shown	Upgrade Kit - Cutter, 2", Full	P1079903-021
	Upgrade Kit - Dispenser, Front Bezel	P1079903-022
	Upgrade Kit - Media Core Adaptors, 1.5", 2", 3" (set of 1 ea.)	P1079903-033
	Upgrade Kit - Ethernet Module	P1079903-032
	Upgrade Kit - Serial Module	P1079903-034
	Mounting Bracket	P1079903-037
	Shipping Pack	P1079903-024
	Users CD	P1079903-025
	Battery 3V	P1079903-027
	Power Supply, 75W, 24V with US Cord, for Standard Models	P1079903-026
	Power Supply, 75W, 24V with US Cord, for Health Care Models	P1079903-030
	Power Cord, US, 120V IEC320C13 (set of 5)	105950-014
	Power Cord, EU, 220V, IEC320C13 (set of 5)	105950-015
	Power Cord, UK, 220V, IEC320C13 (set of 5)	105950-030
	Power Cord, Australia, 250V, IEC320C13 (set of 5)	105950-029
	Power Cord, China, 220V, IEC320C13 (set of 5)	105950-078
	Power Cord, Japan, 125V, IEC320C13 (set of 5)	105950-079
	Power Cord, Argentina, 220V, IEC320C13 (set of 5)	105950-080
	Power Cord, Brazil, 10A NBR 14136 (set of 5)	P1033401
	Power Cord, Israel, 10A, IEC320C13 (set of 5)	P1061022-020
Power Cord, India, 10A, IS 1293, C13 (set of 5)	P1080829	
Power Cord, Taiwan, 125V, IEC320C13 (set of 5)	P1079903-035	