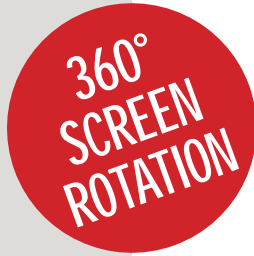




# BT7592

## FULL MOTION ARTICULATING WALL ARM MEDICAL MOUNT



Designed for screens up to 23", this full motion wall arm is ideal for mounting behind hospital beds. Supplied with an optional handle for easy screen positioning, it features tilt adjustment and 360° screen rotation in any direction, to display the screen in landscape or portrait style. The space saving design enables the mount to be folded flat to the wall when not in use.

### SPECIFICATION

Recommended screen size	up to 23"
Min and max load	3kg - 5kg
VESA® compatibility	75 x 75 and 100 x 100
Tilt	+/-100°
Swivel	180°
Rotation	360°
Extension	up to 1650mm
Colour	White

### FEATURES

- Full motion mount - ideal for corner mounting
- Arm extension allows screen to be positioned up to 1650mm from the wall
- Tool-less tilt and swivel adjustment allows for perfect positioning
- 360° rotation allows screen to be positioned in any orientation
- Space saving design folds flat to the wall when not in use
- Supplied with optional handle for easy screen positioning
- Integrated cable management for a neat and tidy installation
- All mounting hardware included



Supplied with optional handle for easy screen positioning



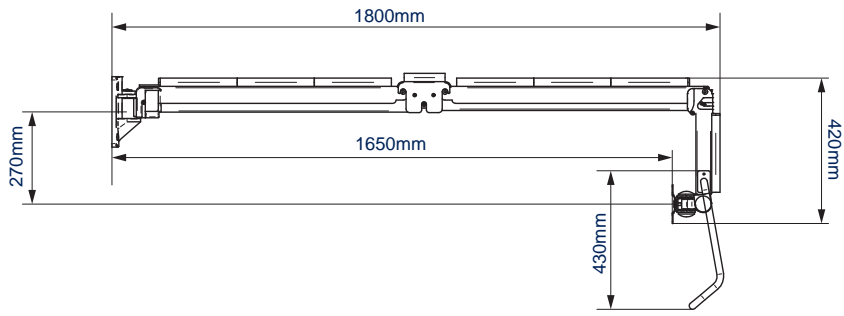
Space saving design folds flat to the wall when not in use



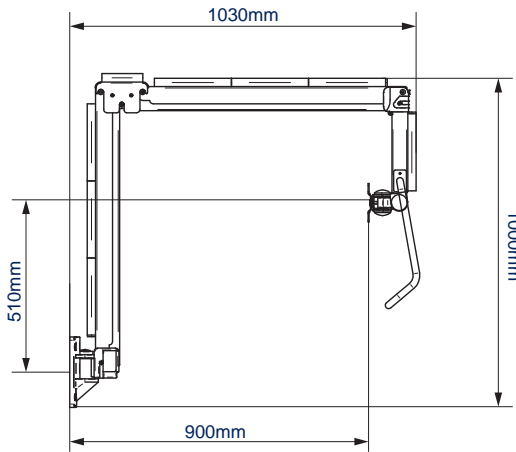
360° rotation allows screen to be positioned in any orientation



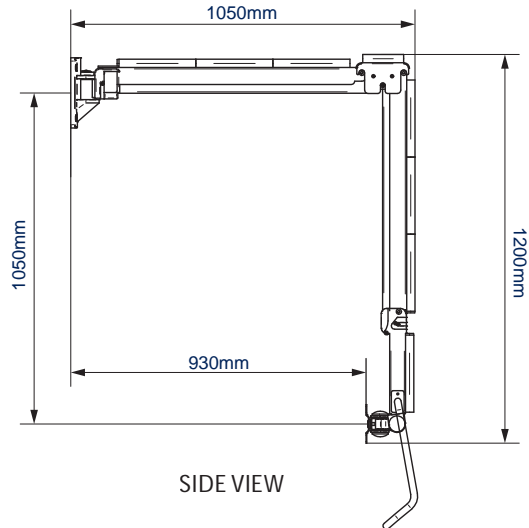
Tool-less tilt and swivel adjustment allows for perfect positioning



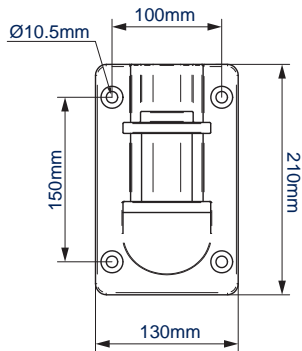
SIDE VIEW - MAXIMUM EXTENSION



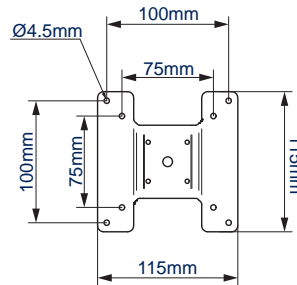
SIDE VIEW



SIDE VIEW



WALL PLATE



INTERFACE

PACKING INFORMATION

COLOUR:	ORDER REF:	EAN CODE:	MASTER CARTON QTY:	INNER CARTON QTY:	MASTER CARTON WEIGHT:	MASTER CARTON CUBE:
White	BT7592/W	5019318758980	1	0	15kg	0.059cbm

ACCESSORIES AND SIMILAR PRODUCTS



**BT7593**  
Medical Wall Arm Mount designed for screens up to 8kg



**BT8225**  
Twin Cantilever Arm Wall Mount with Tilt & Swivel designed for screens up to 75"



**BT7535**  
Double Arm Wall Mount with Tilt & Swivel designed for screens up to 50"



**BTV504**  
Double Arm Wall Mount with Tilt & Swivel designed for screens up to 42"

© 2018 B-Tech Professional Design & Manufacturing Limited. All rights reserved.  
The information in this specification is for reference only. It is subject to change without notice. B-Tech Professional Design & Manufacturing Limited  
All dimensions are in millimeters unless otherwise stated. All dimensions are to the center of the hole unless otherwise stated. All dimensions are to the center of the hole unless otherwise stated.  
B-Tech Professional Design & Manufacturing Limited is not responsible for any damage caused by improper installation or mounting on incompatible surfaces. Any reproduction or reuse of any part of this  
specification is strictly prohibited. For more information, please contact B-Tech Professional Design & Manufacturing Limited. B-Tech

SS-V4.2-BT7592-070618