

AXIS T8415 Wireless Installation Tool

Installation Guide

English

EN

France: Français

FR

Deutschland: Deutsch

DE

Italia: Italiano

IT

España: Español

ES

日本: 日本語

JA

中文: 简体中文

ZH

Read this first

Read through this Installation Guide carefully before installing the product. Keep the Installation Guide for future reference.

Legal considerations

Video and audio surveillance can be regulated by laws that vary from country to country. Check the laws in your local region before using this product for surveillance purposes.

Liability

Every care has been taken in the preparation of this document. Please inform your local Axis office of any inaccuracies or omissions. Axis Communications AB cannot be held responsible for any technical or typographical errors and reserves the right to make changes to the product and manuals without prior notice. Axis Communications AB makes no warranty of any kind with regard to the material contained within this document, including, but not limited to, the implied warranties of merchantability and fitness for a particular purpose. Axis Communications AB shall not be liable nor responsible for incidental or consequential damages in connection with the furnishing, performance or use of this material. This product is only to be used for its intended purpose.

Intellectual property rights

Axis AB has intellectual property rights relating to technology embodied in the product described in this document. In particular, and without limitation, these intellectual property rights may include one or more of the patents listed at axis.com/patent and one or more additional patents or pending patent applications in the US and other countries.

Equipment modifications

This equipment must be installed and used in strict accordance with the instructions given in the user documentation. This equipment contains no user-serviceable components. Unauthorized equipment changes or modifications will invalidate all applicable regulatory certifications and approvals.

Trademark acknowledgements

AXIS COMMUNICATIONS, AXIS and VAPIX are registered trademarks or trademark applications of Axis AB in various jurisdictions. All other company names and products are trademarks or registered trademarks of their respective companies.

Apple, Apache, Bonjour, Ethernet, Internet Explorer, Linux, Microsoft, Mozilla, Real, SMPTE, QuickTime, UNIX, Windows, and WWW are registered trademarks of the respective holders. Java and all Java-based trademarks and logos are trademarks or registered trademarks of Oracle and/or its affiliates. The UPnP Word Mark and UPnP Logo are trademarks of Open Connectivity Foundation, Inc. in the United States or other countries.

Regulatory information

Europe



This product is restricted to indoor use only.

This product complies with the applicable CE marking directives and harmonized standards:

- Electromagnetic Compatibility (EMC) Directive 2014/30/EU. See *Electromagnetic compatibility (EMC) on page 4.*
- Radio Equipment Directive (RED) 2014/53/EU. See *Radio transmission on page 5.*
- Low Voltage Directive (LVD) 2014/35/EU. See *Safety on page 6.*
- Restriction of Hazardous Substances (RoHS) Directive 2011/65/EU, including any amendments, updates or replacements. See *Disposal and recycling on page 6.*

A copy of the original declaration of conformity may be obtained from Axis Communications AB. See *Contact information on page 6.*

Electromagnetic compatibility (EMC)

This equipment has been designed and tested to fulfill applicable standards for:

- Radio frequency emission when installed according to the instructions and used in its intended environment.
- Immunity to electrical and electromagnetic phenomena when installed according to the instructions and used in its intended environment.

USA

This device complies with part 15 of the FCC Rules. Operation is subject to the following two conditions:

1. This device may not cause harmful interference, and
2. this device must accept any interference received, including interference that may cause undesired operation.

Using an unshielded network cable (UTP) – This equipment has been tested using an unshielded network cable (UTP) and found to comply with the limits for a Class A digital device, pursuant to part 15 of the FCC Rules. These limits are designed to provide reasonable protection against harmful interference when the equipment is operated in a commercial environment. This equipment generates, uses, and can radiate radio frequency energy and, if not installed and used in accordance with the instruction manual, may cause harmful interference to radio communications. Operation of this equipment in a residential area is likely to cause harmful interference in which case the user will be required to correct the interference at his own expense.

Using a shielded network cable (STP) – This equipment has also been tested using a shielded network cable (STP) and found to comply with the limits for a Class B digital device, pursuant to part 15 of the FCC Rules. These limits are designed to provide reasonable protection against harmful interference in a residential installation. This equipment generates, uses and can radiate radio frequency energy and, if not installed and used in accordance with the instructions, may cause harmful interference to radio communications. However, there is no guarantee that interference will not occur in a particular installation. If this equipment does cause harmful interference to radio or television reception, which can be determined by turning the equipment off and on, the user is encouraged to try to correct the interference by one or more of the following measures:

- Reorient or relocate the receiving antenna.
- Increase the separation between the equipment and receiver.

- Connect the equipment into an outlet on a circuit different from that to which the receiver is connected.
- Consult the dealer or an experienced radio/TV technician for help.

To be used in a residential area or a demanding electrical environment, the product shall be connected using a shielded network cable (STP) that is properly grounded.

Contact information

Axis Communications Inc.
300 Apollo Drive
Chelmsford, MA 01824
United States of America
Tel: +1 978 614 2000

Canada

This digital apparatus complies with CAN ICES-3 (Class B). The product shall be connected using a shielded network cable (STP) that is properly grounded. Cet appareil numérique est conforme à la norme CAN NMB-3 (classe B). Le produit doit être connecté à l'aide d'un câble réseau blindé (STP) qui est correctement mis à la terre.

Europe

This digital equipment fulfills the requirements for RF emission according to the Class A limit of EN 55032. The product shall be connected using a shielded network cable (STP) that is properly grounded. Notice! This is a Class A product. In a domestic environment this product may cause RF interference, in which case the user may be required to take adequate measures.

Australia/New Zealand

This digital equipment fulfills the requirements for RF emission according to the Class B limit of AS/NZS CISPR 32. The product shall be connected using a shielded network cable (STP) that is properly grounded.

Japan

この装置は、クラスB機器です。この装置は、住宅環境で使用することを目的としています。この装置がラジオやテレビジョン受信機に近接して使用されると、受信障害を引き起こすことがあります。取扱説明書に従って正しい取り扱いをして下さい。VCCI-B
本製品は、シールドネットワークケーブル(STP)を使用して接続してください。また適切に接地してください。

Korea

이 기기는 가정용(B급) 전자파적합기기로서 주로 가정에서 사용하는 것을 목적으로 하며, 모든 지역에서 사용할 수 있습니다. 적절히 접지된 STP (shielded twisted pair) 케이블을 사용하여 제품을 연결 하십시오.

Radio transmission

This radio equipment operates at 2.4 and 5.2 GHz, with a maximum output power of 100 and 200 mW respectively.

This product is restricted to indoor use only.

This equipment may generate or use radio frequency energy. The user could lose the authority to operate this equipment if an unauthorized change or modification is made.

USA

This product complies with FCC radiation exposure limits for an uncontrolled environment. This equipment shall be installed and operated with a minimum distance of 20 cm (7.9 in) between the user and the device.

Canada

This device complies with Industry Canada licence-exempt RSS standard(s). Operation is subject to the following two conditions: (1) this device may not cause interference, and (2) this device must accept any interference, including interference that may cause undesired operation of the device.

This product complies with IC radiation exposure limits for an uncontrolled environment. This equipment shall be installed and operated with a minimum distance of 20 cm (7.9 in) between the user and the device. This device for operation in the frequency band 5150-5250 MHz is only for indoor use to reduce the potential for harmful interference to co-channel mobile satellite systems.

Le présent appareil est conforme aux CNR d'Industrie Canada applicables aux appareils radio exempts de licence. L'exploitation est autorisée aux deux conditions suivantes : (1) l'appareil ne doit pas produire de brouillage, et (2) l'utilisateur de l'appareil doit accepter tout brouillage radioélectrique subi, même si le brouillage est susceptible d'en compromettre le fonctionnement.

Ce produit est conforme aux limites d'exposition aux radiations IC pour un environnement non contrôlé. L'équipement doit être installé et fonctionné à une distance minimum de 20 cm (7,9 po) entre l'utilisateur et le dispositif. Dans la bande de fréquences de 5 150 à 5 250 MHz, cet appareil doit uniquement être utilisé à l'intérieur afin de réduire le risque de brouillage préjudiciable de systèmes de service mobile par satellite se trouvant dans le même canal.

Europe

Hereby, Axis Communications AB declares that this product is in compliance with the essential requirements and other relevant provisions of Directive 2014/53/EU.

FR

Par la présente Axis Communications AB déclare que l'appareil ce produit est conforme aux exigences essentielles et aux autres dispositions pertinentes de la directive 2014/53/CE.

DE

Hiermit erklärt Axis Communications AB, dass sich dieses Produkt in Übereinstimmung mit den grundlegenden Anforderungen und den anderen relevanten Vorschriften der Richtlinie 2014/53/EG befindet.

IT

Con la presente Axis Communications AB dichiara che questo prodotto è conforme ai requisiti essenziali ed alle altre disposizioni pertinenti stabilite dalla direttiva 2014/53/CE.

ES

Por medio de la presente Axis Communications AB declara que el este producto cumple con los requisitos esenciales y cualesquiera otras disposiciones aplicables o exigibles de la Directiva 2014/53/CE.

FI

Axis Communications AB vakuuttaa täten että tämä

tuote tyyppinen laite on direktiivin 2014/53/EY oleellisten vaatimusten ja sitä koskevien direktiivin muiden ehtojen mukainen.

NL
Hierbij verklaart Axis Communications AB dat het toestel in overeenstemming is met de essentiële eisen en de andere relevante bepalingen van richtlijn 2014/53/EG.

SV
Härmed intygar Axis Communications AB att denna produkt står i överensstämmelse med de väsentliga egenskapskrav och övriga relevanta bestämmelser som framgår av direktiv 2014/53/EG.

DA
Undertegnede Axis Communications AB erklærer herved, at følgende udstyr overholder de væsentlige krav og øvrige relevante krav i direktiv 2014/53/EF.

PT
Axis Communications AB declara que este produto está conforme com os requisitos essenciais e outras disposições da Directiva 2014/53/CE.

EL
ΜΕ ΤΗΝ ΠΑΡΟΥΣΑ Axis Communications ΑΒ ΔΗΛΩΝΕΙ ΟΤΙ αυτό το προϊόν ΣΥΜΜΟΡΦΩΝΕΤΑΙ ΠΡΟΣ ΤΙΣ ΟΥΣΙΩΔΕΙΣ ΑΠΑΙΤΗΣΕΙΣ ΚΑΙ ΤΙΣ ΛΟΙΠΕΣ ΣΧΕΤΙΚΕΣ ΔΙΑΤΑΞΕΙΣ ΤΗΣ ΟΔΗΓΙΑΣ 2014/53/ΕΚ.



This equipment can be used in the following countries:

AT, BE, BG, CH, CY, CZ, DE, DK, EE, EL, ES, FI, FR, HR, HU, IE, IS, IT, LI, LT, LU, LV, MT, NL, NO, PL, PT, RO, SE, SI, SK, TR, UK

Safety

This product complies with IEC/EN/UL 60950-1, Safety of Information Technology Equipment.

If its connecting cables are routed outdoors, the product shall be grounded either through a shielded network cable (STP) or other appropriate method.

The power supply used with this product shall fulfill one of the following requirements:

- Safety Extra Low Voltage (SELV) according to clause 2.2 of IEC/EN/UL 60950-1 and Limited Power Source (LPS) according to clause 2.5 of IEC/EN/UL 60950-1 or CEC/NEC Class 2 source of supply as defined in the Canadian Electrical Code, CSA C22.1 and National Electrical Code, ANSI/NFPA 70
- Class 1 electrical energy source (ES1) and Class 2 power source (PS2) rated output power limited to ≤100 W according to IEC/EN/UL 62368-1

Disposal and recycling

When this product has reached the end of its useful life, dispose of it according to local laws and regulations. For information about your nearest designated collection point, contact your local authority responsible for waste disposal. In accordance with local legislation, penalties may be applicable for incorrect disposal of this waste.

Europe



This symbol means that the product shall not be disposed of together with household or commercial waste. Directive 2012/19/EU on waste electrical and electronic equipment (WEEE) is applicable in the European Union member states. To prevent potential harm to human health and the environment, the product must be disposed of in an approved and environmentally safe recycling process. For information about your nearest designated collection point, contact your local authority responsible for waste disposal. Businesses should contact the product supplier for information about how to dispose of this product correctly.

This product complies with the requirements of Directive 2011/65/EU and 2015/863 on the restriction of the use of certain hazardous substances in electrical and electronic equipment (RoHS).

China



This product complies with the requirements of SJ/T 11364-2014, Marking for the restriction of hazardous substances in electrical and electronic products.

有毒有害物质或元素						
部件名称	铅 (Pb)	汞 (Hg)	镉 (Cd)	六价铬 (Cr-VI)	多溴联苯 (PB-B)	多溴二苯醚 (PB-DE)
电气实装部分	X	0	0	0	0	0

0: 表示该有毒有害物质在该部件均质材料中的含量均在GB/T 26572标准规定的限量要求以下。
X: 表示该有毒有害物质至少在该部件的某一均质材料中的含量超出GB/T 26572标准规定的限量要求。

Contact information

Axis Communications AB
Emdalvägen 14
223 69 Lund
Sweden

Tel: +46 46 272 18 00
Fax: +46 46 13 61 30

axis.com

Support

Should you require any technical assistance, please contact your Axis reseller. If your questions cannot be answered immediately, your reseller will forward your queries through the appropriate channels to ensure a rapid response. If you are connected to the Internet, you can:

- download user documentation and software updates
- find answers to resolved problems in the FAQ database, search by product, category, or phrase
- report problems to Axis support staff by logging in to your private support area
- chat with Axis support staff
- visit Axis Support at axis.com/support

Learn more!

Visit Axis learning center axis.com/academy for useful trainings, webinars, tutorials and guides.

Safety information

Hazard levels

▲DANGER

Indicates a hazardous situation which, if not avoided, will result in death or serious injury.

▲WARNING

Indicates a hazardous situation which, if not avoided, could result in death or serious injury.

▲CAUTION

Indicates a hazardous situation which, if not avoided, could result in minor or moderate injury.

NOTICE

Indicates a situation which, if not avoided, could result in damage to property.

Other message levels

Important

Indicates significant information which is essential for the product to function correctly.

Note

Indicates useful information which helps in getting the most out of the product.

AXIS T8415 Wireless Installation Tool

Safety instructions

NOTICE

- The Axis product shall be used in compliance with local laws and regulations.
- Axis recommends using a shielded network cable (STP).
- Store the Axis product in a dry and ventilated environment.
- Avoid exposing the Axis product to shocks or heavy pressure.
- Avoid exposing the Axis product to vibration.
- Use only applicable tools when installing the Axis product. Using excessive force with power tools could cause damage to the product.
- Do not use chemicals, caustic agents, or aerosol cleaners.
- Use a clean cloth dampened with pure water for cleaning.
- Use only accessories that comply with the technical specification of your product. These can be provided by Axis or a third party. Axis recommends using Axis power source equipment compatible with your product.
- Use only spare parts provided by or recommended by Axis.
- Do not attempt to repair the product yourself. Contact Axis support or your Axis reseller for service matters.

Lead-Acid Battery

The Axis product uses a Lead-Acid battery as the power supply.

NOTICE

- Due to the self-discharge characteristics of this type of battery, it is imperative that they be charged within 6 months of storage, otherwise permanent loss of capacity might occur as a result of sulfation.
- Use only the supplied charger.

⚠CAUTION

Never charge or discharge a battery in a hermetically sealed enclosure. Batteries generate a mixture of gases internally. Given the right set of circumstances, such as extreme overcharging or shorting of the battery, these gases might vent into the enclosure and create the potential for an explosion when ignited by a spark.

⚠CAUTION

- Never dispose of the battery in a fire as it may cause them to explode or generate a toxic gas.
- Do not attempt to disassemble the battery as it could cause leakage of sulfuric acid that could cause injury.

NOTICE

Dispose of used batteries according to local regulations or the battery manufacturer's instructions.

Installation Guide

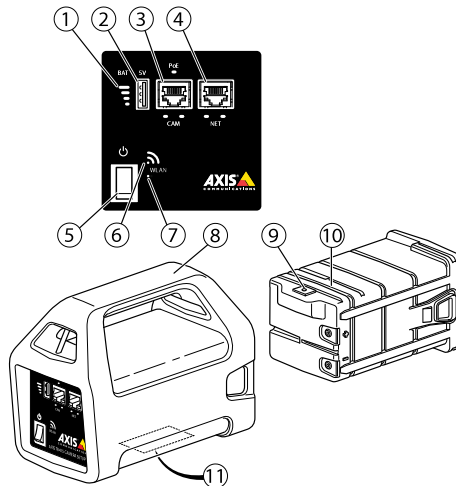
This Installation Guide provides instructions for AXIS T8415 Wireless Installation Tool . This installation tool support both the use of a laptop or an app for installation of cameras. For best performance and experience it is recommended to use the app.

For other aspects of using the product, see the User Manual available at www.axis.com

Package contents

- Main Unit
- Charger
- Battery
- Strap
- Printed materials
 - Installation Guide (this document)

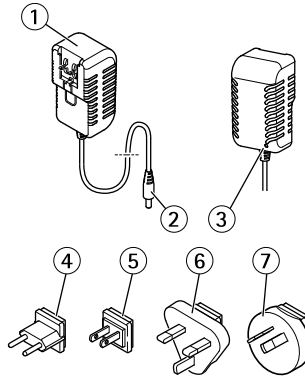
Hardware overview



- 1 Battery indicator
- 2 USB charging port (non-data)
- 3 RJ45 PoE (CAM)
- 4 RJ45 non-PoE (NET)
- 5 On-Off switch

AXIS T8415 Wireless Installation Tool

- 6 *WLAN indicator*
- 7 *Reset button*
- 8 *Main Unit*
- 9 *Battery Charger connector*
- 10 *Battery*
- 11 *Label (network settings)*



- 1 *Charger*
- 2 *Charger male connector*
- 3 *Charger LED*
- 4 *Power cord plug (EU)*
- 5 *Power cord plug (US)*
- 6 *Power cord plug (UK)*
- 7 *Power cord plug (AU)*

Network connector

RJ45 Ethernet connector.

RJ45 Ethernet connector with Power over Ethernet Plus (PoE+).

NOTICE

Due to local regulations or the environmental and electrical conditions in which the product is to be used, a shielded network cable (STP) may be appropriate or required. All cables connecting the product to the network and that are routed outdoors or in demanding electrical environments shall be intended for their specific use. Make sure that the network devices are installed in accordance with the manufacturer's instructions. For information about regulatory requirements, see *Electromagnetic compatibility (EMC) on page 4*.

USB Connector

AXIS T8415 is equipped with a USB connector (non-data). This connector can be used for charging any compatible handheld device (5V, 2.1A).

Note

- AXIS T8415 must be powered on when charging a handheld device.
- Charging a handheld device affects the units battery. When it reaches a critical low level it will no longer charge the handheld device, See *Hardware overview on page 13* Battery indicator for status of the battery. In order to continue charging replace the battery with a newly charged one, see *Change the Battery on page 18*.

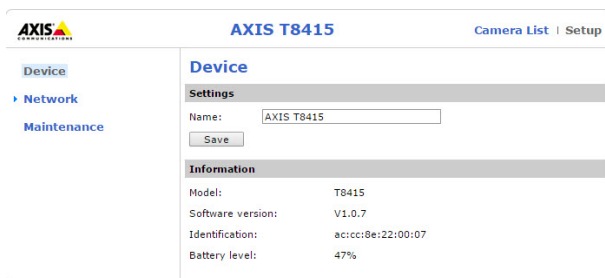
AXIS T8415 Web Interface

In AXIS T8415 web interface it is possible to edit network settings and upgrade the firmware.

Access the web interface by typing in the units IP-address in a browser. The IP-address can be found on the label located on the main unit.

Note

- Actual screenshots may change upon new Firmware releases.
- AXIS T8415 have two IP-addresses. One for connection via WiFi and one for connection via wired network.



- Name: Name for the unit, can be changed.

Network - Wifi Interface

AXIS T8415 Wireless Installation Tool

The screenshot shows the 'Wifi Interface' configuration page for the AXIS T8415. The left sidebar contains 'Device', 'Network' (with 'Wifi Interface' selected), and 'Maintenance'. The main content area is titled 'Wifi Interface' and includes an 'Interface Configuration' section with the following fields: Address (10.252.252.1), Subnet mask (255.255.255.0), Gateway (10.252.252.1), SSID (AXIS_220007), WPA password (password), Mode (radio buttons for 2.4GHz and 5GHz), and Channel (radio buttons for 36, 40, and 44). A 'Save' button is located at the bottom of the configuration section.

- Address: The IP-address for the unit.
- Subnet mask: The subnet-mask for the unit.
- Gateway: Default gateway for the unit.
- SSID: Name of the wireless network, can be changed.
- WPA password: Password for the wireless network, can be changed.
- Mode: Set frequency mode for wireless network. Select either 2.4GHz or 5GHz.
- Channel: Set channel for wireless network.

Note

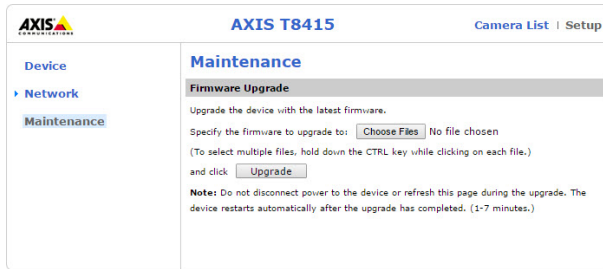
- Default SSID and password can be found on the label, located on the main unit. If changed in the web interface the label is no longer valid.
- AXIS T8415 supports both 2.4GHz and 5GHz.
- Channels might vary depending on country.

Network - Wired Network

The screenshot shows the 'Wired Network' configuration page for the AXIS T8415. The left sidebar contains 'Device', 'Network' (with 'Wired Network' selected), and 'Maintenance'. The main content area is titled 'Wired Network' and includes sections for 'External DHCP Server' (Server detected: No), 'Onboard DHCP Server' (radio buttons for Server On and Server Off), 'Ethernet Ports' (Port 1: Connected, Port 2 (POE): Connected, powered), and 'Interface Configuration' (radio buttons for Obtain an IP address via DHCP and Assign a static IP address). The static IP configuration fields are: Address (10.253.253.253), Subnet mask (255.255.255.0), and Gateway (10.253.253.253). A 'Save' button is located at the bottom of the configuration section.

- External DHCP Server: Detection of an external DHCP server.
- Onboard DHCP Server:
 - On: Internal DHCP server on
 - Off: Internal DHCP server off
- Ethernet Ports: Status of the ethernet ports:
 - Connected: Camera/laptop connected to ethernet port
 - Unconnected: No camera/laptop connected to ethernet port
- Interface Configuration: Set IP-address manually or get IP-address from a DHCP server.
- Address: The IP-address for the unit.
- Subnet mask: The subnet-mask for the unit.
- Gateway: Default gateway for the unit.

Maintenance



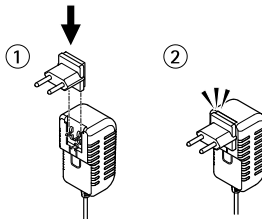
Upgrade the firmware for AXIS T8415.

Note

The latest firmware can be found at www.axis.com

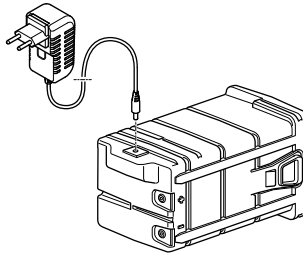
Charge the Battery

Attach the country specific power cord plug to the charger. See below image.



AXIS T8415 Wireless Installation Tool

Connect the battery charger to the battery (see below image) and to the power outlet.



LED	Behavior
Red	Battery charging
Green	Battery fully charged

Note

The charger LED is located on the front side of the charger, see *Hardware overview on page 13*

NOTICE

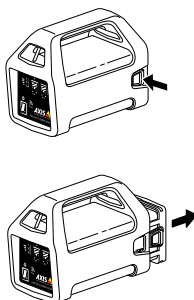
- Due to the self-discharge characteristics of this type of battery, it is imperative that they be charged within 6 months of storage, otherwise permanent loss of capacity might occur as a result of sulfation.
- Use only the supplied charger.

CAUTION

Never charge or discharge a battery in a hermetically sealed enclosure. Batteries generate a mixture of gases internally. Given the right set of circumstances, such as extreme overcharging or shorting of the battery, these gases might vent into the enclosure and create the potential for an explosion when ignited by a spark.

Change the Battery

See below image for how to change the battery.



⚠ CAUTION

- Never dispose of the battery in a fire as it may cause them to explode or generate a toxic gas.
- Do not attempt to disassemble the battery as it could cause leakage of sulfuric acid that could cause injury.
- If the battery is disassembled the warranty is void.

NOTICE

Dispose of used batteries according to local regulations or the battery manufacturer's instructions.

Installation Preparations

With AXIS T8415 Wireless Installation Tool it is possible to perform camera installations with a handheld device or a laptop. It is recommended to use a handheld device and the app AXIS Wireless Installation Tool for best performance.

- Make sure that the battery is fully charged before use. See *Charge the Battery on page 17*
- If using the app AXIS Wireless Installation Tool Make sure it is downloaded to the handheld device before connecting to AXIS T8415 WiFi network.
- Make sure power is on before connecting the camera to the main unit.

Note

The app AXIS Wireless Installation Tool can be downloaded from App Store or Google Play.

Connect to AXIS T8415 WiFi

Handheld device

AXIS T8415 Wireless Installation Tool

1. Turn on WiFi on the handheld device.
2. Select The SSID of the unit.
3. Enter password

Laptop

1. Turn on WiFi on the computer.
2. Select The SSID of the unit.
3. Enter password

Important

Make sure the computer is configured so that it will obtain an IP-address from a DHCP server.

Note

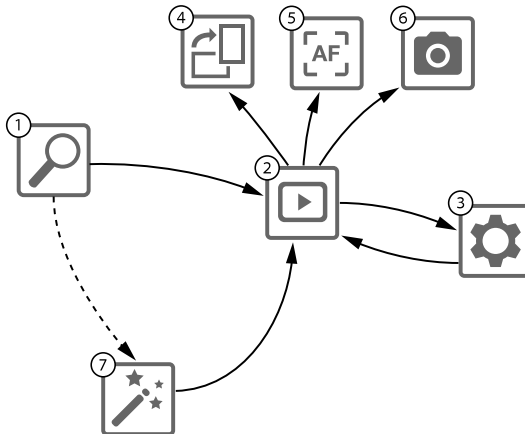
Default SSID and password are printed on the label located on the main unit.

Camera Installation - AXIS Wireless Installation Tool app

1. Connect the camera to the CAM port (PoE) on the main unit.
2. Verify that the PoE indicator is lit.
3. Connect to AXIS T8415 WiFi, see *Connect to AXIS T8415 WiFi on page 19*
4. Start the app AXIS Wireless Installation Tool

Note

The start-up time for cameras varies for different products. It may take a few minutes before the camera is visible in the camera list in the app.



- 1 Camera List
- 2 Live view

- 3 *Settings*
- 4 *Rotate image*
- 5 *Autofocus*
- 6 *Snapshot*
- 7 *Wizard*

To configure a camera

Select camera in **1 Camera List**. If required type in password in order to continue.

In **2 Live view** it is possible to access the action buttons (**4, 5 and 6**) by press and hold on the screen.

Select **4 Rotate image** to rotate the image.

Select **5 Autofocus** to perform a search for the ideal focus point.

Note

- Autofocus will only be available if the camera supports this functionality.
- Autofocus may take a few minutes to perform, during this time it is important that the camera is still.

Select **6 Snapshot** to take a snapshot of the video image.

Select **3 Settings** to edit network settings for the product.

Number **7 Wizard**. This wizard starts the first time an Axis product is accessed or after a reset to factory default.

Note

Information about settings in the **Wizard** can be found in the products User Manual available at www.axis.com

Note

For more information about camera settings for respective Axis product, see the products User Manual available at www.axis.com

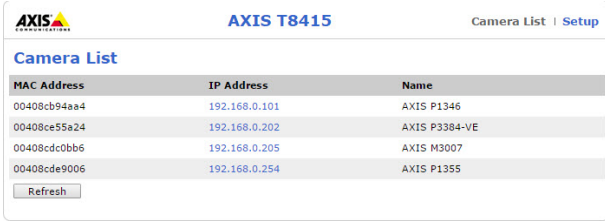
Camera Installation – Laptop

1. Connect the camera to the CAM port (PoE) on the main unit.
2. Verify that the PoE indicator is lit.
3. Connect the laptop to NET port (non-PoE) on the main unit.
4. Go to the web interface and press **Camera List**

Note

See *AXIS T8415 Web Interface on page 15* for how to access AXIS T8415 Web interface

AXIS T8415 Wireless Installation Tool



MAC Address	IP Address	Name
00408cb94aa4	192.168.0.101	AXIS P1346
00408ce55a24	192.168.0.202	AXIS P3384-VE
00408cdc0bb6	192.168.0.205	AXIS M3007
00408cde9006	192.168.0.254	AXIS P1355

Refresh

5. Select camera by clicking on the IP-address.
6. The selected camera will now open in a browser.

Note

- For more information about camera settings for respective Axis product, see the products User Manual available at www.axis.com
- The start-up time for cameras varies for different products. It may take a few minutes before the camera is visible in the camera list in the web interface.

Troubleshooting

- **Cannot find SSID.**
 - Check that the WLAN indicator is lit.
 - Select a different channel.
 - Make sure the handheld device supports 5GHz mode, if not switch to 2.4GHz mode on AXIS T8415.
- **No camera in the app camera list**
 - Check that the WLAN indicator is lit.
 - The start-up time for cameras varies for different products. It may take a few minutes before the camera is visible. Press Refresh to update the Camera list page.
 - Make sure Bonjour is activated on the Axis product.
 - Make sure the camera do not have an IP-address in the range 10.252.252.X
- **Cannot login to AXIS T8415 web interface when using network cable and a PC.**
 - Make sure the network cable is connected to the correct port (NET).
- **No camera in Camera List (web interface), when using laptop for installation.**
 - Make sure the network cables are connected to correct ports:
CAM: Connect to camera
NET: Connect to laptop
 - Make sure the camera and AXIS T8415 are on the same IP-address range.
 - Make sure that AXIS T8415 is used as default gateway.
 - Make sure the camera do not have an IP-address in the range 10.252.252.X

- Low fps in the image when using the app.
 - Check the WLAN indicator on the handheld device for signal strength.
 - Make sure the wireless network is set to 5GHz
 - Select a different channel.

Below list is applicable when trying to discover a non-Axis camera with Onvif support.

- The camera is set to dynamic IP-address but there is no DHCP server on the network.
 - Activate the onboard DHCP server on AXIS T8415.
- The camera is set to dynamic IP-address and there is a DHCP server on the network.
 - Configure AXIS T8415 for dynamic IP address.
- The camera have a fixed IP-address.
 - Configure AXIS T8415 to have an IP-address on the same range as the camera.

Reset to Factory Default

Important

- Reset to factory default should be used with caution. A reset to factory default will reset all settings to the factory default values.
- Make sure the WLAN indicator is continuously lit before performing a factory reset.

To reset the product to the factory default settings:

1. Press and hold the Reset button for 10 seconds.
2. AXIS T8415 now re-starts with all values reset to factory default.

Note

See *Hardware overview on page 13* for location of the Reset button.

Warranty information

For information about Axis' product warranty and thereto related information, go to axis.com/warranty

Informations sur la sécurité

Niveaux de risques

▲ DANGER

Indique une situation dangereuse qui, si elle n'est pas évitée, entraînera le décès ou des blessures graves.

▲ AVERTISSEMENT

Indique une situation dangereuse qui, si elle n'est pas évitée, pourrait entraîner le décès ou des blessures graves.

▲ ATTENTION

Indique une situation dangereuse qui, si elle n'est pas évitée, pourrait entraîner des blessures légères ou modérées.

AVIS

Indique une situation qui, si elle n'est pas évitée, pourrait endommager l'appareil.

Autres niveaux de message

Important

Indique les informations importantes, nécessaires pour assurer le bon fonctionnement de l'appareil.

Note

Indique les informations utiles qui permettront d'obtenir le fonctionnement optimal de l'appareil.

Consignes de sécurité

AVIS

- Le produit Axis doit être utilisé conformément aux lois et réglementations locales.
- Axis recommande d'utiliser un câble réseau blindé (STP).
- Conserver ce produit Axis dans un environnement sec et ventilé.
- Ne pas exposer ce produit Axis aux chocs ou aux fortes pressions.
- Ne pas exposer ce produit Axis aux vibrations.
- Utiliser uniquement des outils recommandés pour l'installation de l'appareil Axis. L'application d'une force excessive sur l'appareil avec des outils puissants pourrait l'endommager.
- Ne pas utiliser de produits chimiques, de substances caustiques ou de nettoyeurs pressurisés.
- Utiliser un chiffon propre imbibé d'eau pure pour le nettoyage.
- Utiliser uniquement des accessoires conformes aux caractéristiques techniques de votre produit. Ils peuvent être fournis par Axis ou un tiers. Axis recommande d'utiliser un équipement d'alimentation Axis compatible avec votre produit.
- Utiliser uniquement les pièces de rechange fournies ou recommandées par Axis.
- Ne pas essayer de réparer vous-même ce produit. Contacter l'assistance technique d'Axis ou votre revendeur Axis pour des problèmes liés à l'entretien.

Batterie au plomb-acide

Le produit Axis utilise une batterie au plomb-acide comme alimentation.

AVIS

- En raison des caractéristiques d'autodécharge de ce type de batterie, il est impératif que la batterie soit rechargée dans les 6 mois de stockage, sinon une perte de capacité pourrait survenir suite à un sulfatage.
- Utilisez uniquement le chargeur fourni.

⚠ ATTENTION

Ne jamais charger ou décharger une batterie dans une enceinte hermétiquement fermée. Les batteries génèrent un mélange gazeux en interne. Selon les circonstances, telle qu'une surcharge extrême ou un court-circuit de la batterie, ces gaz peuvent s'évacuer dans l'enceinte et créer les conditions potentielles d'une explosion en cas d'exposition à une étincelle.

⚠ ATTENTION

- Ne jamais jeter la batterie au feu, car cela pourrait provoquer une explosion ou une émanation de gaz toxique.

- Ne pas tenter de démonter la batterie, car cela pourrait provoquer une fuite d'acide sulfurique susceptible d'entraîner des blessures.

AVIS

Mettez au rebut les batteries usagées conformément aux réglementations locales ou aux instructions du fabricant de la batterie.

FR

Guide d'installation

Ce Guide d'installation fournit des instructions pour l'installation de l'AXIS T8415 Wireless Installation Tool. Cet outil d'installation prend en charge l'utilisation d'un ordinateur portable ou d'une application pour l'installation de caméras. Pour obtenir des performances et une expérience optimisées, il est recommandé d'utiliser l'application.

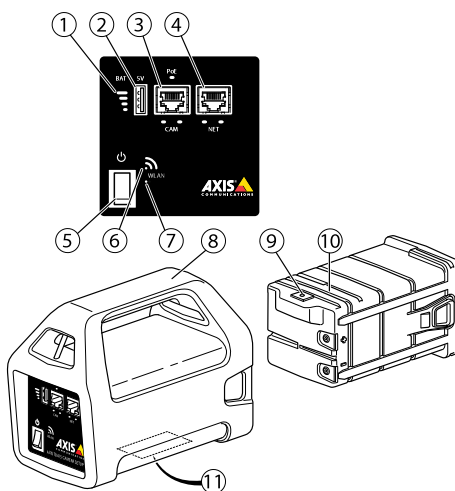
Pour toute autre information relative à l'utilisation du produit, consultez le manuel de l'utilisateur disponible sur le site www.axis.com

FR

Contenu de l'emballage

- Unité principale
- Chargeur
- Batterie
- Sangle
- Documents imprimés
 - Guide d'installation (ce document)

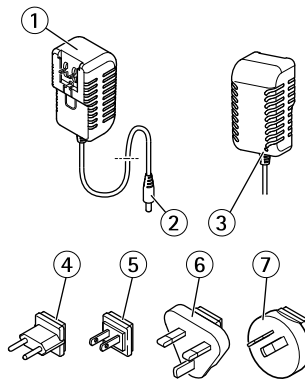
Aperçu du matériel



- 1 Voyant de la batterie
- 2 Port de charge USB (ne servant pas à la transmission des données)
- 3 RJ45 PoE (CAM)

AXIS T8415 Wireless Installation Tool

- 4 RJ45 non-PoE (NET)
- 5 Commutateur Marche/Arrêt
- 6 Voyant WLAN
- 7 Touche Reset
- 8 Unité principale
- 9 Connecteur du chargeur de batterie
- 10 Batterie
- 11 Étiquette (paramètres réseau)



- 1 Chargeur
- 2 Connecteur mâle du chargeur
- 3 Voyant du chargeur
- 4 Fiche de cordon d'alimentation (UE)
- 5 Fiche de cordon d'alimentation (US)
- 6 Fiche de cordon d'alimentation (RU)
- 7 Fiche de cordon d'alimentation (AU)

Connecteur réseau

Connecteur Ethernet RJ45.

Connecteur Ethernet RJ45 avec l'alimentation par Ethernet Plus (PoE+).

AVIS

Les réglementations locales ou les conditions environnementales et électriques dans lesquelles le produit est utilisé peuvent nécessiter l'utilisation d'un câble réseau blindé (STP). Tous les câbles réseau qui sont acheminés à l'extérieur ou dans des environnements électriques exigeants doivent être destinés à leur usage spécifique. Assurez-vous que les périphériques réseau sont installés conformément aux instructions du fabricant. Pour plus d'informations sur les exigences réglementaires, consultez *Electromagnetic compatibility (EMC)* on page 4.

Connecteur USB

L'AXIS T8415 est équipé d'un connecteur USB (ne servant pas à la transmission des données). Ce connecteur peut être utilisé pour charger tout appareil portable compatible (5 V, 2,1 A).

Note

- L'AXIS T8415 doit être alimenté lors de la mise en charge de l'appareil portable.
- La mise en charge d'un appareil portable affecte la batterie de l'unité. Lorsqu'elle atteint un niveau bas critique, elle ne charge plus l'appareil portable. Voir *Aperçu du matériel page 29* Voyant de la batterie pour connaître l'état de la batterie. Afin de poursuivre la mise en charge, remplacez la batterie par une batterie nouvellement rechargée, cf. *Changement de la batterie page 35*.

Interface Web AXIS T8415

L'interface Web AXIS T8415 permet de modifier les paramètres réseau et de mettre à jour le micrologiciel.

Accédez à l'interface Web en saisissant l'adresse IP de l'appareil dans un navigateur. Vous trouverez cette adresse IP sur l'étiquette apposée sur l'unité centrale.

Note

- Les copies d'écran peuvent différer selon la version du micrologiciel.
- Le moniteur AXIS T8415 est doté de deux adresses IP. L'une est réservée à la connexion Wi-Fi et l'autre à la connexion au réseau câblé.



- Name (Nom) : nom de l'appareil qui peut être modifié.

Network (Réseau) - Wifi Interface (Interface Wi-Fi)

AXIS T8415 Wireless Installation Tool

The screenshot shows the 'AXIS T8415' setup interface. On the left, a sidebar lists 'Device', 'Network', 'Wifi Interface', 'Wired Network', and 'Maintenance'. The 'Wifi Interface' section is selected. The main area is titled 'Wifi Interface' and contains an 'Interface Configuration' section. The configuration fields are: Address: 10.252.252.1, Subnet mask: 255.255.255.0, Gateway: 10.252.252.1, SSID: AXIS_220007, WPA password: password, Mode: 2.4GHz (unselected) and 5GHz (selected), Channel: 36 (unselected), 40 (selected), and 44 (unselected). A 'Save' button is located at the bottom of the configuration section.

- Address (Adresse) : adresse IP de l'appareil.
- Subnet mask (Masque de sous-réseau) : masque de sous-réseau de l'appareil.
- Gateway (Passerelle) : passerelle par défaut de l'appareil.
- SSID : nom du réseau sans fil qui peut être modifié.
- WPA password (Mot de passe WPA) : mot de passe du réseau sans fil qui peut être modifié.
- Mode (Mode) : mode de fréquence du réseau sans fil. Choisissez entre 2.4GHz ou 5GHz.
- Channel (Canal) : canal du réseau sans fil.

Note

- Vous trouverez le SSID et mot de passe par défaut sur l'étiquette apposée sur l'unité centrale. Si ces informations ont été modifiées sur l'interface Web, les données de l'étiquette ne sont plus valables.
- L'AXIS T8415 prend en charge les fréquences 2,4 GHz et 5 GHz.
- Les canaux varient en fonction des pays.

Network (Réseau) - Wired Network (Réseau câblé)

AXIS T8415 Camera List | Setup

Device

- Network
 - Wifi Interface
 - Wired Network**
- Maintenance

Wired Network

External DHCP Server

Server detected: No
(Reboot device to rescan)

Onboard DHCP Server

Server On Server Off

Ethernet Ports

Port 1: Connected
Port 2 (POE): Connected, powered

Interface Configuration

Obtain an IP address via DHCP
 Assign a static IP address

Address:
 Subnet mask:
 Gateway:

- External DHCP Server (Serveur DHCP externe) : détection d'un serveur DHCP externe.
- Onboard DHCP Server (Serveur DHCP interne) :
 - On (Activé) : serveur DHCP interne activé
 - Off (Désactivé) : serveur DHCP interne désactivé
- Ethernet Ports (Ports Ethernet) : Status of the ethernet ports (État des ports Ethernet) :
 - Connected (Connecté) : caméra/portable connecté au port Ethernet.
 - Unconnected (Déconnecté) : caméra/portable non connecté au port Ethernet.
- Interface Configuration (Configuration de l'interface) : configuration manuelle de l'adresse IP ou obtention d'une adresse IP par l'intermédiaire d'un serveur DHCP.
- Address (Adresse) : adresse IP de l'appareil.
- Subnet mask (Masque de sous-réseau) : masque de sous-réseau de l'appareil.
- Gateway (Passerelle) : passerelle par défaut de l'appareil.

Maintenance (Maintenance)

AXIS T8415 Camera List | Setup

Device

- Network
- Maintenance

Maintenance

Firmware Upgrade

Upgrade the device with the latest firmware.

Specify the firmware to upgrade to: No file chosen
(To select multiple files, hold down the CTRL key while clicking on each file.)
and click

Note: Do not disconnect power to the device or refresh this page during the upgrade. The device restarts automatically after the upgrade has completed. (1-7 minutes.)

AXIS T8415 Wireless Installation Tool

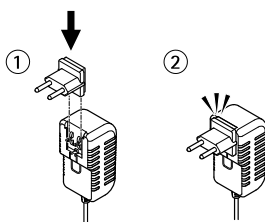
Cette page permet de mettre à jour le micrologiciel du moniteur AXIS T8415.

Note

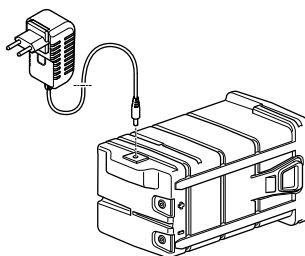
La version la plus récente du micrologiciel se trouve sur le site Web www.axis.com

Mise en charge de la batterie

Fixez la fiche de cordon d'alimentation spécifique au pays au chargeur. Voir l'image ci-dessous.



Branchez la chargeur de batterie à la batterie (voir l'image ci-dessous) et à la prise secteur.



Voyant DEL	Comportement
Rouge	Batterie en charge
Vert	Batterie entièrement rechargée

Note

Le voyant DEL est situé sur la face avant du chargeur, voir *Aperçu du matériel* page 29

AVIS

- En raison des caractéristiques d'autodécharge de ce type de batterie, il est impératif que la batterie soit rechargée dans les 6 mois de stockage, sinon une perte de capacité pourrait survenir suite à un sulfatage.
- Utilisez uniquement le chargeur fourni.

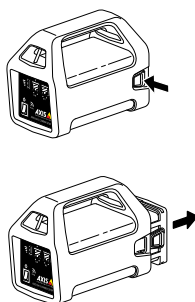
⚠ ATTENTION

Ne jamais charger ou décharger une batterie dans une enceinte hermétiquement fermée. Les batteries génèrent un mélange gazeux en interne. Selon les circonstances, telle qu'une surcharge extrême ou un court-circuit de la batterie, ces gaz peuvent s'évacuer dans l'enceinte et créer les conditions potentielles d'une explosion en cas d'exposition à une étincelle.

FR

Changement de la batterie

Reportez-vous à l'image ci-dessous pour savoir comment changer la batterie.



⚠ ATTENTION

- Ne jamais jeter la batterie au feu, car cela pourrait provoquer une explosion ou une émanation de gaz toxique.
- Ne pas tenter de démonter la batterie, car cela pourrait provoquer une fuite d'acide sulfurique susceptible d'entraîner des blessures.
- Le démontage de la batterie annule la garantie.

AVIS

Mettez au rebut les batteries usagées conformément aux réglementations locales ou aux instructions du fabricant de la batterie.

Préparatifs à l'installation

Avec l'AXIS T8415 Wireless Installation Tool il est possible de réaliser des installations de caméras à l'aide d'un appareil portable ou d'un ordinateur portable. Il est recommandé d'utiliser un appareil portable et l'application AXIS Wireless Installation Tool pour obtenir les meilleures performances.

AXIS T8415 Wireless Installation Tool

- Assurez-vous que la batterie est chargée à 100 % avant utilisation. Cf. *Mise en charge de la batterie page 34*
- Si vous utilisez l'application AXIS Wireless Installation Tool, assurez-vous qu'elle est téléchargée sur l'appareil portable avant de vous connecter au réseau Wi-Fi AXIS T8415.
- Assurez-vous que l'appareil est sous tension avant de brancher la caméra à l'unité principale.

Note

L'application AXIS Wireless Installation Tool peut être téléchargée depuis l'App Store ou Google Play.

Connexion au Wi-Fi AXIS T8415

Appareil portable

1. Activez le Wi-Fi sur l'appareil portable.
2. Sélectionnez le SSID de l'unité.
3. Saisissez le mot de passe.

Ordinateur portable

1. Activez le Wi-Fi sur l'ordinateur.
2. Sélectionnez le SSID de l'unité.
3. Saisissez le mot de passe.

Important

Assurez-vous que l'ordinateur est configuré de façon à obtenir une adresse IP d'un serveur DHCP.

Note

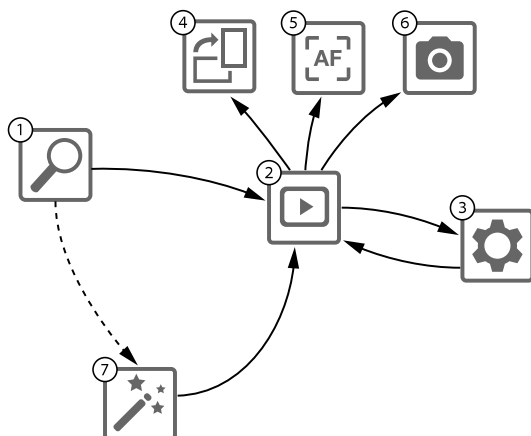
Le SSID et le mot de passe par défaut sont imprimés sur l'étiquette apposée sur l'unité centrale.

Installation de la caméra – Application AXIS Wireless Installation Tool

1. Connectez la caméra au port CAM (PoE) de l'unité principale.
2. Vérifiez que le témoin PoE est allumé.
3. Connectez-vous au Wi-Fi AXIS T8415, voir *Connexion au Wi-Fi AXIS T8415 page 36*
4. Démarrez l'application AXIS Wireless Installation Tool.

Note

La durée de démarrage des caméras varie en fonction des produits. Cela peut prendre quelques minutes avant que la caméra n'apparaisse dans la liste des caméras de l'application.



- 1 *Camera List (Liste de caméras)*
- 2 *Live view (Visualisation en direct)*
- 3 *Settings (Paramètres)*
- 4 *Rotate image (Rotation de l'image)*
- 5 *Autofocus (Mise au point automatique)*
- 6 *Snapshot (Instantané)*
- 7 *Wizard (Assistant)*

Pour configurer une caméra

Sélectionnez une caméra dans **1 Camera List (Liste des caméras)**. Le cas échéant, saisissez un mot de passe pour continuer.

Dans **2 Live view (Visualisation en direct)**, il est possible d'accéder aux boutons d'action (**4** et **6**) en maintenant le doigt appuyé sur l'écran.

Sélectionnez **4 Rotate image (Rotation de l'image)** pour pivoter l'image.

Sélectionnez **5 Autofocus (Mise au point automatique)** pour rechercher un point sur lequel effectuer la mise au point.

Note

- La mise au point automatique est disponible uniquement si la caméra prend en charge cette fonction.
- La mise au point automatique prend quelques minutes, et il est important que la caméra ne bouge pas pendant ce laps de temps.

Sélectionnez **6 Snapshot (Instantané)** pour capturer une image de la vidéo.

Sélectionnez **3 Paramètres** pour modifier les paramètres réseau du produit.

AXIS T8415 Wireless Installation Tool

Numéro 7 Wizard (Assistant). Cet assistant démarre dès que vous accédez pour la première fois à un produit Axis ou après une réinitialisation aux paramètres par défaut.

Note

Pour savoir comment paramétrer l'Assistant, consultez le manuel de l'utilisateur de votre produit, disponible sur le site www.axis.com

Note

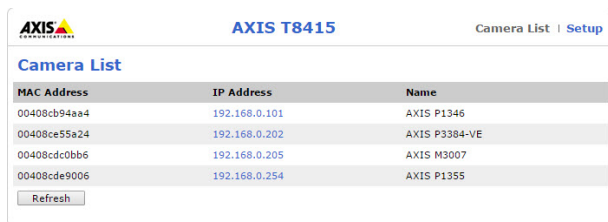
Pour savoir comment paramétrer la caméra Axis, consultez le manuel de l'utilisateur correspondant, disponible sur le site www.axis.com

Installation de la caméra – Portable

1. Connectez la caméra au port CAM (PoE) de l'unité principale.
2. Vérifiez que le témoin PoE est allumé.
3. Connectez le portable au port NET (non PoE) de l'unité principale.
4. Accédez à l'interface Web et appuyez sur **Camera List (Liste des caméras)**.

Note

Voir *Interface Web AXIS T8415 page 31* pour savoir comment accéder à l'Interface Web AXIS T8415.



MAC Address	IP Address	Name
00408cb94aa4	192.168.0.101	AXIS P1346
00408ce55a24	192.168.0.202	AXIS P3384-VE
00408cdc0bb6	192.168.0.205	AXIS M3007
00408cde9006	192.168.0.254	AXIS P1355

5. Sélectionnez la caméra en cliquant sur l'adresse IP.
6. La caméra sélectionnée s'ouvre dans un navigateur.

Note

- Pour savoir comment paramétrer la caméra Axis, consultez le manuel de l'utilisateur correspondant, disponible sur le site www.axis.com.
- La durée de démarrage des caméras varie en fonction des produits. Cela peut prendre quelques minutes avant que la caméra n'apparaisse dans la liste des caméras de l'interface Web.

Dépannage

- Impossible de trouver le SSID.
 - Vérifiez que le témoin WLAN est allumé.

- Sélectionnez un autre canal.
- Assurez-vous que l'appareil portable prend en charge le mode 5GHz, sinon, passez au mode 2.4GHz sur AXIS T8415.
- **Pas de caméra dans la liste des caméras**
 - Vérifiez que le témoin WLAN est allumé.
 - La durée de démarrage des caméras varie en fonction des produits. Cela peut prendre quelques minutes avant que la caméra n'apparaisse. Appuyez sur Refresh (Actualiser) pour mettre à jour la page de la liste des caméras.
 - Assurez-vous que Bonjour est activé sur le produit Axis.
 - Assurez-vous que la caméra n'a pas une adresse IP comprise dans la plage 10.252.252.X
- **Impossible de se connecter à l'interface Web AXIS T8415 en utilisant un câble réseau et un ordinateur.**
 - Vérifiez que le câble réseau est branché sur le port qui convient (NET).
- **Pas de caméra dans la Liste des caméras (interface Web) lors de l'utilisation d'un ordinateur portable pour l'installation.**
 - Vérifiez que les câbles réseau sont branchés sur les ports qui conviennent :
CAM : branchez à la caméra
NET : branchez à l'ordinateur portable
 - Assurez-vous que la caméra et l'AXIS T8415 sont sur la même plage d'adresses IP.
 - Assurez-vous que l'AXIS T8415 est utilisé comme passerelle par défaut.
 - Assurez-vous que la caméra n'a pas une adresse IP comprise dans la plage 10.252.252.X
- **Faible ips dans l'image lors de l'utilisation de l'application.**
 - Vérifiez le voyant WLAN sur l'appareil portable pour connaître la force du signal.
 - Vérifiez que le réseau sans fil est réglé sur 5GHz.
 - Sélectionnez un autre canal.

La liste ci-dessous est applicable si vous essayez de découvrir une caméra autre que Axis avec le support Onvif.

- **La caméra est réglée sur une adresse IP dynamique, mais il n'y a pas de serveur DHCP sur le réseau.**
 - Activez le serveur DHCP intégré sur l'AXIS T8415.
- **La caméra est réglée sur une adresse IP dynamique et il y a un serveur DHCP sur le réseau.**
 - Configurez l'AXIS T8415 pour une adresse IP dynamique.
- **La caméra a une adresse IP fixe.**

AXIS T8415 Wireless Installation Tool

- Configurez l'AXIS T8415 pour avoir une adresses IP sur la même plage que la caméra.

Réinitialisation aux paramètres d'usine par défaut

Important

- La réinitialisation aux paramètres par défaut doit être utilisée avec prudence. Cette opération reconfigure tous les paramètres aux valeurs d'usine par défaut.
- Assurez-vous que le voyant WLAN est allumé en continu avant de procéder à une réinitialisation aux paramètres d'usine.

Pour réinitialiser l'appareil aux paramètres d'usine par défaut :

1. Maintenez le bouton Reset enfoncé pendant 10 secondes.
2. L'AXIS T8415 redémarre avec toutes les valeurs réinitialisées aux paramètres d'usine par défaut.

Note

Voir *Aperçu du matériel* page 29 pour savoir où se trouve le bouton Reset.

Informations sur la garantie

Pour plus d'informations sur la garantie du produit Axis et les informations connexes, rendez-vous sur axis.com/warranty

Sicherheitsinformationen

Gefährdungsstufen

▲GEFAHR

Weist auf eine gefährliche Situation hin, welche, falls nicht verhindert, zu Tod oder schweren Verletzungen führen kann.

▲WARNUNG

Weist auf eine gefährliche Situation hin, welche, falls nicht verhindert, zu Tod oder schweren Verletzungen führen kann.

▲VORSICHT

Weist auf eine gefährliche Situation hin, welche, falls nicht verhindert, zu geringfügiger oder mäßiger Verletzung führen kann.

HINWEIS

Weist auf eine gefährliche Situation hin, welche, falls nicht verhindert, zu Sachschäden führen kann.

DE

Andere Meldeebenen

Wichtig

Weist auf wichtige Informationen hin, die den richtigen Betrieb des Produkts gewährleisten.

Beachten

Weist auf nützliche Informationen hin, die die optimale Verwendung des Produkts unterstützen.

Sicherheitsanweisungen

HINWEIS

- Das Axis-Produkt muss unter Beachtung der geltenden Gesetze und Bestimmungen betrieben werden.
- Axis empfiehlt, ein abgeschirmtes Netzkabel (STP) zu verwenden.
- Lagern Sie das Axis Produkt in einer trockenen und belüfteten Umgebung.
- Das Axis-Produkt weder Stößen noch starkem Druck aussetzen.
- Das Axis-Produkt keinen Schwingungen aussetzen.
- Verwenden Sie bei der Installation des Axis Produkts ausschließlich passende Werkzeuge. Ein zu großer Kraftaufwand mit elektrischen Werkzeugen kann das Produkt beschädigen.
- Verwenden Sie keine chemischen, ätzenden oder aerosolhaltigen Reinigungsmittel.
- Verwenden Sie zum Reinigen ein sauberes, mit destilliertem Wasser angefeuchtetes Tuch.
- Verwenden Sie nur Zubehör, das den technischen Vorgaben Ihres Produkts entspricht. Dieses ist von Axis oder Drittanbietern erhältlich. Axis empfiehlt die mit Ihrem Produkt kompatible Stromversorgung von Axis.
- Verwenden Sie ausschließlich Ersatzteile die von Axis angeboten oder empfohlen werden.
- Versuchen Sie nicht, dieses Produkt selbsttätig zu reparieren. Wenden Sie sich bezüglich Reparatur und Wartung an den Axis Support oder Ihren Axis Händler.

Blei-Säure-Batterie

Dieses Axis Produkt verwendet eine Blei-Säure-Batterie zur Stromversorgung.

HINWEIS

- Wegen der Selbstentladungseigenschaften dieses Batterietyps muss die Batterie nach sechsmonatiger Lagerung unbedingt aufgeladen werden, ansonsten kann es aufgrund von Sulfatierung zu einem dauerhaften Kapazitätsverlust kommen.
- Verwenden Sie ausschließlich das mitgelieferte Ladegerät.

⚠VORSICHT

Laden oder entladen Sie Batterien niemals in einem hermetisch abgedichteten Gehäuse. Innerhalb von Batterien entstehen Gasmischungen. Unter entsprechenden Bedingungen, wie beispielsweise einer extremen Überladung oder einem Kurzschließen der Batterie, können diese Gase ins Gehäuse gelangen und bei Funkenbildung ein Explosionsrisiko darstellen.

⚠VORSICHT

- Entsorgen Sie die Batterie niemals in einem Feuer, da ansonsten die Gefahr einer Explosion besteht oder toxische Gase entstehen können.
- Versuchen Sie nicht, die Batterie zu zerlegen, da Schwefelsäure austreten und dies Verletzungen verursachen kann.

HINWEIS

Verbrauchte Batterien sind gemäß den örtlichen Vorschriften oder den Anweisungen des Herstellers zu entsorgen.

Installationsanleitung

Diese Installationsanleitung enthält Anweisungen für das AXIS T8415 Wireless-Installations-Tool. Mit diesem Installationstool können Kameras mithilfe eines Laptops oder einer App installiert werden. Für eine optimale Leistung und Funktion wird die Verwendung der App empfohlen.

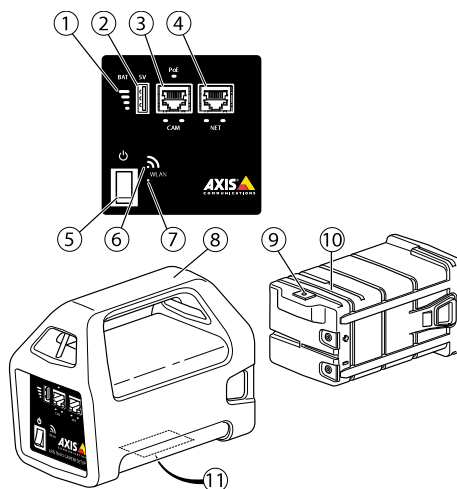
Weitere Informationen zur Nutzung dieses Produkts finden Sie im Benutzerhandbuch unter www.axis.com.

Lieferumfang

- Haupteinheit
- Ladegerät
- Batterie
- Riemen
- Gedruckte Dokumente
 - Installationsanleitung (dieses Dokument)

DE

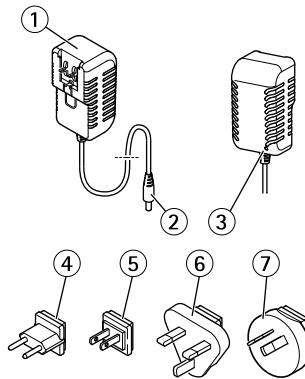
Übersicht über die Hardware



- 1 Batterieanzeige
- 2 USB-Ladeport (nicht Daten führend)
- 3 RJ-45-PoE (CAM)
- 4 RJ-45 ohne PoE (NET)

AXIS T8415 Wireless Installation Tool

- 5 *Ein/Aus-Schalter*
- 6 *WLAN-Anzeige*
- 7 *Reset-Taste*
- 8 *Haupteinheit*
- 9 *Anschluss für Batterieladegerät*
- 10 *Batterie*
- 11 *Etikett (Netzwerkeinstellungen)*



- 1 *Ladegerät*
- 2 *Stecker des Ladegeräts*
- 3 *Ladegerät-LED*
- 4 *Netzkabelstecker (EU)*
- 5 *Netzkabelstecker (USA)*
- 6 *Netzkabelstecker (GB)*
- 7 *Netzkabelstecker (AU)*

Netzwerkanschluss

RJ45-Ethernetanschluss.

RJ45-Ethernetanschluss mit Power over Ethernet Plus (PoE+).

HINWEIS

Aufgrund örtlicher Vorschriften bzw. je nach Umgebung oder elektrischer Anlage, in/mit der das Produkt verwendet wird, kann ein abgeschirmtes Netzkabel (STP) empfehlenswert oder notwendig sein. Alle Netzkabel des Produkts, die im Außenbereich oder in anspruchsvollen elektrischen Umgebungen verlegt werden, müssen hierfür ausgelegt sein. Stellen Sie sicher, dass die Netzwerkgeräte gemäß den Anweisungen des Herstellers installiert wurden. Informationen zu gesetzlichen Bestimmungen finden Sie unter *Electromagnetic compatibility (EMC) on page 4*.

USB-Anschluss

Das AXIS T8415 verfügt über einen USB-Anschluss (nicht Daten führend). Über diesen Anschluss können kompatible Handgeräte (5 V, 2,1 A) aufgeladen werden.

Beachten

- Das AXIS T8415 muss während des Aufladens eines Handgeräts eingeschaltet sein.
- Das Aufladen von Handgeräten belastet die Batterie der Einheit. Wenn diese einen kritischen Niedrigstand erreicht, werden Handgeräte nicht weiter aufgeladen. Informationen zum Batteriestatus finden Sie unter *Übersicht über die Hardware auf Seite 45* Batterieanzeige. Um den Ladevorgang fortzusetzen, müssen Sie die Batterie durch eine voll aufgeladene ersetzen, siehe *Austausch der Batterie auf Seite 51*.

AXIS T8415 Weboberfläche

Über die AXIS T8415 Weboberfläche können Netzwerkeinstellungen bearbeitet und die Firmware aktualisiert werden.

Geben Sie für den Zugriff auf die Weboberfläche die IP-Adresse der Einheit in einen Browser ein. Die IP-Adresse befindet sich auf dem Etikett auf der Haupteinheit.

Beachten

- Die Bildschirmfotos stimmen möglicherweise nicht mit den neuesten Firmware-Versionen überein.
- AXIS T8415 verfügt über zwei IP-Adressen: Eine für die Verbindung über WiFi und eine für die Verbindung über ein verkabeltes Netzwerk.



- Name: Name der Einheit, kann geändert werden.

Netzwerk – WiFi-Oberfläche

The screenshot shows the 'AXIS T8415' configuration page for the 'Wifi Interface'. The left sidebar contains a navigation menu with 'Device', 'Network' (expanded), 'Wifi Interface' (selected), 'Wired Network', and 'Maintenance'. The main content area is titled 'Wifi Interface' and contains an 'Interface Configuration' section with the following fields:

Address:	10.252.252.1
Subnet mask:	255.255.255.0
Gateway:	10.252.252.1
SSID:	<input type="text" value="AXIS_220007"/>
WPA password:	<input type="text" value="password"/>
Mode:	<input type="radio"/> 2.4GHz <input checked="" type="radio"/> 5GHz
Channel:	<input type="radio"/> 36 <input checked="" type="radio"/> 40 <input type="radio"/> 44

A 'Save' button is located at the bottom of the configuration section.

- Address (Adresse): Die IP-Adresse für die Einheit.
- Subnet mask (Subnetzmaske): Die Subnetzmaske für die Einheit.
- Gateway: Standardgateway für die Einheit.
- SSID: Name des drahtlosen Netzwerks, kann geändert werden.
- WPA password (WPA-Kennwort): Kennwort für das drahtlose Netzwerk, kann geändert werden.
- Mode (Modus): Einstellen des Frequenzmodus für das Drahtlosnetzwerk. Wählen Sie 2,4 GHz oder 5 GHz.
- Channel (Kanal): Einstellen des Kanals für das Drahtlosnetzwerk.

Beachten

- Standard-SSID und Kennwort befinden sich auf dem Etikett auf der Haupteinheit. Wenn Sie diese über die Weboberfläche ändern, verliert das Etikett seine Gültigkeit.
- AXIS T8415 unterstützt sowohl 2,4 GHz als auch 5 GHz.
- Die Kanäle unterscheiden sich je nach Land.

Netzwerk – Verkabeltes Netzwerk

The screenshot shows the 'Wired Network' configuration page for an AXIS T8415 camera. The page is divided into a left sidebar and a main content area. The sidebar contains 'Device', 'Network' (with sub-items 'Wifi Interface' and 'Wired Network'), and 'Maintenance'. The main content area has a title 'Wired Network' and a 'Camera List | Setup' link. It contains three sections: 'External DHCP Server' (Server detected: No, Reboot device to rescan), 'Onboard DHCP Server' (Server On/Off radio buttons, Save button), and 'Ethernet Ports' (Port 1: Connected, Port 2 (POE): Connected, powered). The 'Interface Configuration' section has radio buttons for 'Obtain an IP address via DHCP' and 'Assign a static IP address'. The static IP configuration fields are: Address: 10.253.253.253, Subnet mask: 255.255.255.0, Gateway: 10.253.253.253. A 'Save' button is at the bottom.

DE

- External DHCP Server (Externer DHCP-Server): Erfassung eines externen DHCP-Servers.
- Onboard DHCP Server (Integrierter DHCP-Server):
 - On (An): Interner DHCP-Server ist aktiviert
 - Off (Aus): Interner DHCP-Server ist deaktiviert
- Ethernet Ports (Ethernet-Ports): Status der Ethernet-Ports:
 - Connected (Verbunden): Kamera/Laptop ist mit dem Ethernet-Port verbunden
 - Unconnected (Nicht verbunden): Mit dem Ethernet-Port ist keine Kamera/kein Laptop verbunden.
- Interface Configuration (Schnittstellenkonfiguration): IP-Adresse manuell einstellen oder von einem DHCP-Server abrufen.
- Address (Adresse): Die IP-Adresse für die Einheit.
- Subnet mask (Subnetzmaske): Die Subnetzmaske für die Einheit.
- Gateway: Standardgateway für die Einheit.

Wartung

The screenshot shows the 'Maintenance' configuration page for an AXIS T8415 camera. The page is divided into a left sidebar and a main content area. The sidebar contains 'Device', 'Network', and 'Maintenance'. The main content area has a title 'Maintenance' and a 'Camera List | Setup' link. It contains one section: 'Firmware Upgrade'. The text reads: 'Upgrade the device with the latest firmware. Specify the firmware to upgrade to: [Choose Files] No file chosen (To select multiple files, hold down the CTRL key while clicking on each file.) and click [Upgrade]'. A note at the bottom states: 'Note: Do not disconnect power to the device or refresh this page during the upgrade. The device restarts automatically after the upgrade has completed. (1-7 minutes.)'

AXIS T8415 Wireless Installation Tool

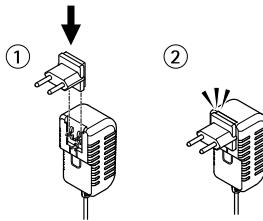
Aktualisieren der Firmware für AXIS T8415.

Beachten

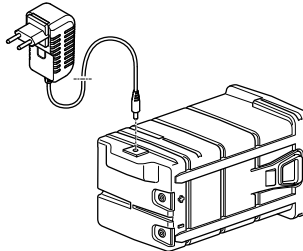
Die aktuelle Firmware finden Sie unter www.axis.com.

Aufladen der Batterie

Stecken Sie den landesspezifischen Netzstecker in das Ladegerät, wie unten dargestellt.



Schließen Sie (wie unten dargestellt) das Batterieladegerät an die Batterie an und stecken Sie es in die Steckdose.



LED	Verhalten
Rot	Batterie wird aufgeladen
Grün	Batterie voll aufgeladen

Beachten

Die Ladegerät-LED befindet sich vorne am Ladegerät, siehe *Übersicht über die Hardware auf Seite 45*.

HINWEIS

- Wegen der Selbstentladungseigenschaften dieses Batterietyps muss die Batterie nach sechsmonatiger Lagerung unbedingt aufgeladen werden, ansonsten kann es aufgrund von Sulfatierung zu einem dauerhaften Kapazitätsverlust kommen.

- Verwenden Sie ausschließlich das mitgelieferte Ladegerät.

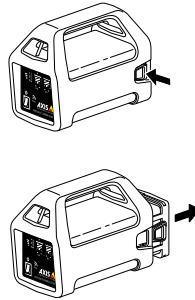
▲VORSICHT

Laden oder entladen Sie Batterien niemals in einem hermetisch abgedichteten Gehäuse. Innerhalb von Batterien entstehen Gasmischungen. Unter entsprechenden Bedingungen, wie beispielsweise einer extremen Überladung oder einem Kurzschließen der Batterie, können diese Gase ins Gehäuse gelangen und bei Funkenbildung ein Explosionsrisiko darstellen.

Austausch der Batterie

DE

Wechseln Sie die Batterie wie unten dargestellt.



▲VORSICHT

- Entsorgen Sie die Batterie niemals in einem Feuer, da ansonsten die Gefahr einer Explosion besteht oder toxische Gase entstehen können.
- Versuchen Sie nicht, die Batterie zu zerlegen, da Schwefelsäure austreten und dies Verletzungen verursachen kann.
- Wenn die Batterie zerlegt wird, erlischt die Gewährleistung.

HINWEIS

Verbrauchte Batterien sind gemäß den örtlichen Vorschriften oder den Anweisungen des Herstellers zu entsorgen.

Vorbereitungen zur Installation

Das AXIS T8415 Wireless-Installations-Tool ermöglicht Kamerainstallationen über ein Handgerät oder einen Laptop. Für eine optimale Leistung wird die Verwendung eines Handgeräts und die App AXIS Wireless-Installations-Tool empfohlen.

- Stellen Sie sicher, dass die Batterie vor der Verwendung voll aufgeladen wurde. Siehe *Aufladen der Batterie auf Seite 50*
- Wenn Sie die App AXIS Wireless-Installations-Tool verwenden, stellen Sie sicher, dass diese vor dem Herstellen einer Verbindung zum AXIS T8415 WiFi-Netzwerk auf das Handgerät heruntergeladen wurde.
- Das Gerät muss vor Anschluss der Kamera an die Haupteinheit eingeschaltet werden.

Beachten

Die App AXIS Wireless-Installations-Tool kann vom App Store oder von Google Play heruntergeladen werden.

Herstellen einer Verbindung zum AXIS T8415 WiFi

Handgerät

1. Aktivieren Sie WiFi auf dem Handgerät.
2. Wählen Sie die SSID der Einheit aus.
3. Geben Sie das Kennwort ein.

Laptop

1. Aktivieren Sie WiFi auf dem Computer.
2. Wählen Sie die SSID der Einheit aus.
3. Geben Sie das Kennwort ein.

Wichtig

Stellen Sie sicher, dass der Computer so konfiguriert ist, dass er eine IP-Adresse von einem DHCP-Server erhält.

Beachten

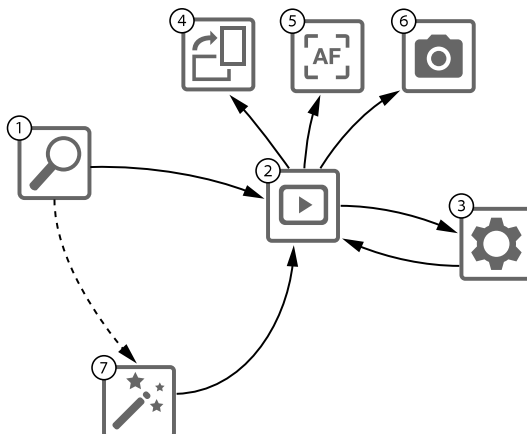
Standard-SSID und Kennwort befinden sich auf dem Etikett auf der Haupteinheit.

Kamerainstallation – App AXIS Wireless-Installations-Tool

1. Schließen Sie die Kamera am CAM-Port (PoE) der Haupteinheit an.
2. Überprüfen Sie, ob die PoE-Statusanzeige leuchtet.
3. Stellen Sie eine Verbindung zum AXIS T8415 WiFi her, siehe *Herstellen einer Verbindung zum AXIS T8415 WiFi auf Seite 52*.
4. Starten Sie die App AXIS Wireless-Installations-Tool.

Beachten

Die Inbetriebnahme von Kameras dauert je nach Produkt unterschiedlich lang. Es kann einige Minuten dauern, bis die Kamera in der Kameraliste der App angezeigt wird.



- 1 *Kameraliste*
- 2 *Live-Ansicht*
- 3 *Einstellungen*
- 4 *Bild drehen*
- 5 *Autofokus*
- 6 *Schnappschuss*
- 7 *Assistent*

So konfigurieren Sie eine Kamera

Wählen Sie die Kamera in der 1 **Kameraliste** aus. Geben Sie ggf. Ihr Kennwort ein, um fortzufahren.

In der 2 **Live-Ansicht** erhalten Sie Zugang zu den Aktionsschaltflächen (4, 5 und 6), in dem Sie diese auf dem Bildschirm gedrückt halten.

Wählen Sie 4 **Bild drehen**, um das Bild zu drehen.

Wählen Sie 5 **Autofokus**, um nach dem idealen Fokussierungspunkt zu suchen.

Beachten

- Der Autofokus ist nur verfügbar, wenn die Kamera diese Funktionalität unterstützt.
- Der Autofokus-Vorgang kann einige Minuten dauern. In dieser Zeit ist es wichtig, dass die Kamera nicht bewegt wird.

Wählen Sie 6 **Schnappschuss**, um einen Schnappschuss des Videobilds aufzunehmen.

AXIS T8415 Wireless Installation Tool

Wählen Sie 3 Einstellungen, um die Netzwerkeinstellungen für das Produkt zu bearbeiten.

7 Assistent. Dieser Assistent startet beim ersten Zugriff auf das Axis Produkt oder nach dem Zurücksetzen auf die werksseitigen Standardeinstellungen.

Beachten

Weitere Informationen über die Einstellungen im **Assistenten** finden Sie im Benutzerhandbuch unter www.axis.com.

Beachten

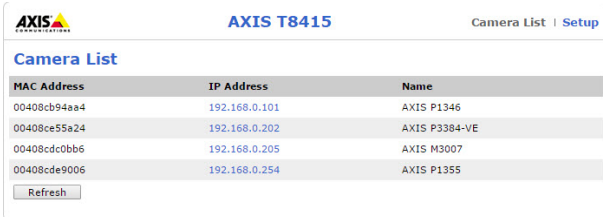
Weitere Informationen über die Kameraeinstellungen des jeweiligen Axis Produkts finden Sie im Benutzerhandbuch unter www.axis.com.

Kamerainstallation – Laptop

1. Schließen Sie die Kamera am CAM-Port (PoE) der Haupteinheit an.
2. Überprüfen Sie, ob die PoE-Statusanzeige leuchtet.
3. Schließen Sie den Laptop am NET-Port (ohne PoE) der Haupteinheit an.
4. Rufen Sie die Weboberfläche auf und drücken Sie auf **Kameraliste**.

Beachten

Informationen zum Zugriff auf die AXIS T8415 Weboberfläche finden Sie unter *AXIS T8415 Weboberfläche auf Seite 47*.



MAC Address	IP Address	Name
00408cb94aa4	192.168.0.101	AXIS P1346
00408ce55a24	192.168.0.202	AXIS P3384-VE
00408cdc0bb6	192.168.0.205	AXIS M3007
00408cde9006	192.168.0.254	AXIS P1355

5. Wählen Sie die Kamera aus, indem Sie auf die IP-Adresse klicken.
6. Die ausgewählte Kamera wird jetzt in einem Browser geöffnet.

Beachten

- Weitere Informationen über die Kameraeinstellungen des jeweiligen Axis Produkts finden Sie im Benutzerhandbuch unter www.axis.com.
- Die Inbetriebnahme von Kameras dauert je nach Produkt unterschiedlich lang. Es kann einige Minuten dauern, bis die Kamera in der Kameraliste der Weboberfläche angezeigt wird.

Fehlerbehebung

- Die SSID kann nicht gefunden werden.

- Überprüfen Sie, ob die WLAN-Statusanzeige leuchtet.
- Wählen Sie einen anderen Kanal aus.
- Überprüfen Sie, ob das Handgerät den 5-GHz-Modus unterstützt. Wenn nicht, schalten Sie das AXIS T8415 in den 2,4-GHz-Modus.
- **In der Kameraliste der App wird keine Kamera angezeigt.**
 - Überprüfen Sie, ob die WLAN-Statusanzeige leuchtet.
 - Die Inbetriebnahme von Kameras dauert je nach Produkt unterschiedlich lang. Es kann einige Minuten dauern, bis eine Kamera angezeigt wird. Über Refresh (Aktualisieren) aktualisieren Sie die Seite mit der Kameraliste.
 - Überprüfen Sie, ob Bonjour auf dem Axis Produkt aktiviert wurde.
 - Stellen Sie sicher, dass die Kamera nicht über eine IP-Adresse im Bereich 10.252.252.X verfügt.
- **Die Anmeldung auf der AXIS T8415 Weboberfläche ist mit einem Netzwerkkabel und einem PC nicht möglich.**
 - Stellen Sie sicher, dass das Netzwerkkabel am richtigen Port (NET) angeschlossen ist.
- **Bei Verwendung eines Laptops für die Installation wird in der Kameraliste auf der Weboberfläche keine Kamera angezeigt.**
 - Stellen Sie sicher, dass die Netzwerkkabel an den richtigen Ports angeschlossen sind.
CAM: Kameraanschluss
NET: Laptopanschluss
 - Stellen Sie sicher, dass die Kamera und das AXIS T8415 im gleichen IP-Adressbereich sind.
 - Stellen Sie sicher, dass das AXIS T8415 als Standardgateway verwendet wird.
 - Stellen Sie sicher, dass die Kamera nicht über eine IP-Adresse im Bereich 10.252.252.X verfügt.
- **Bildrate und Auflösung sind bei Verwendung der App zu niedrig.**
 - Überprüfen Sie die Signalstärke in der WLAN-Anzeige auf dem Handgerät.
 - Stellen Sie sicher, dass das Drahtlosnetzwerk auf 5 GHz eingestellt ist.
 - Wählen Sie einen anderen Kanal aus.

Die folgende Liste gilt, wenn eine Kamera von einem anderen Hersteller als Axis mit Onvif-Unterstützung erfasst werden soll.

- **Auf der Kamera wurde eine dynamische IP-Adresse eingestellt, es ist jedoch kein DHCP-Server im Netzwerk vorhanden.**
 - Aktivieren Sie den integrierten DHCP-Server auf dem AXIS T8415.
- **Auf der Kamera wurde eine dynamische IP-Adresse eingestellt und im Netzwerk ist ein DHCP-Server vorhanden.**
 - Konfigurieren Sie das AXIS T8415 für eine dynamische IP-Adresse.

- Die Kamera hat eine statische IP-Adresse.
 - Konfigurieren Sie das AXIS T8415 so, dass die IP-Adresse im gleichen Bereich wie die der Kamera liegt.

Zurücksetzen auf werksseitige Standardeinstellungen

Wichtig

- Das Zurücksetzen auf die werksseitigen Standardeinstellungen sollte mit Vorsicht verwendet werden. Beim Zurücksetzen auf die werksseitigen Standardeinstellungen werden alle Werte auf die Werkseinstellungen zurückgesetzt.
- Stellen Sie vor dem Zurücksetzen auf die Werkseinstellungen sicher, dass die WLAN-Anzeige dauerhaft leuchtet.

So wird das Produkt auf die werksseitigen Standardeinstellungen zurückgesetzt:

1. Halten Sie die Reset-Taste 10 Sekunden lang gedrückt.
2. Das AXIS T8415 wird neu gestartet und alle Werte werden auf die werksseitigen Standardeinstellungen zurückgesetzt.

Beachten

Unter *Übersicht über die Hardware auf Seite 45* ist dargestellt, wo sich die Reset-Taste befindet.

Gewährleistungsinformationen

Informationen zur Gewährleistung für Axis-Produkte und andere in diesem Zusammenhang relevante Informationen finden Sie unter axis.com/warranty

Informazioni di sicurezza

Livelli di pericolo

▲PERICOLO

Indica una situazione pericolosa che, se non evitata, provoca morte o lesioni gravi.

▲AVVERTENZA

Indica una situazione pericolosa che, se non evitata, potrebbe provocare la morte o lesioni gravi.

▲ATTENZIONE

Indica una situazione pericolosa che, se non evitata, potrebbe provocare lesioni medie o minori.

AVVISO

Indica una situazione che, se non evitata, potrebbe danneggiare la proprietà.

IT

Altri livelli di messaggio

Importante

Indica informazioni importanti, essenziali per il corretto funzionamento del dispositivo.

Nota

Indica informazioni utili che aiutano a ottenere il massimo dal dispositivo.

Informazioni di sicurezza

AWISO

- Il dispositivo Axis deve essere utilizzato in conformità alle leggi e alle normative locali.
- Axis consiglia l'uso di un cavo di rete schermato (STP).
- Conservare il dispositivo Axis in un ambiente asciutto e ventilato.
- Evitare di esporre il dispositivo Axis a urti o pressioni eccessive.
- Evitare di esporre il dispositivo Axis a vibrazione.
- Utilizzare solo strumenti applicabili quando si installa il dispositivo Axis. Se si utilizza una forza eccessiva con strumenti non adatti è possibile causare danni al dispositivo.
- Non utilizzare sostanze chimiche, agenti caustici o detergenti aerosol.
- Utilizzare un panno pulito inumidito in acqua pura per la pulizia.
- Utilizzare solo accessori compatibili con le specifiche tecniche del dispositivo. Questi possono essere forniti da Axis o da terze parti. Axis consiglia l'uso dell'apparecchiatura di alimentazione Axis compatibile con il dispositivo.
- Utilizzare solo parti di ricambio fornite o consigliate da Axis.
- Non tentare di riparare il dispositivo da soli. Contattare l'assistenza o il rivenditore Axis per questioni relative alla manutenzione.

Batteria al piombo acido

Il dispositivo Axis utilizza una batteria al piombo acido come alimentazione.

AWISO

- A causa delle caratteristiche di scaricamento automatico di questo tipo di batteria, è imperativo che la batteria venga mantenuta carica entro 6 mesi quando riposta, altrimenti può verificarsi una perdita permanente della capacità a causa della solfatazione.
- Utilizzare solo il caricabatterie fornito.

⚠ATTENZIONE

Non caricare o scaricare una batteria in un contenitore ermeticamente chiuso. Le batterie generano una miscela di gas internamente. In presenza di determinate circostanze, ad esempio un sovraccarico intenso o un corto circuito della batteria, questi gas possono infiammarsi nel contenitore e creare i presupposti di un'esplosione se innescata da una scintilla.

⚠ATTENZIONE

- Non gettare mai le batterie nel fuoco in quanto possono provocare esplosioni o generare gas tossici.
- Non tentare di smontare la batteria in quanto si potrebbero causare perdite di acido solforico che può provocare lesioni.

AVVISO

Smaltire le batterie usate in base alle normative locali o alle istruzioni del produttore della batteria.

Guida all'installazione

La presente guida all'installazione fornisce le istruzioni per l'installazione di AXIS T8415 Wireless Installation Tool. Questo strumento di installazione supporta l'utilizzo di un computer portatile o di un'applicazione per l'installazione delle telecamere. Per ottimizzare le prestazioni e l'esperienza si consiglia di utilizzare l'applicazione.

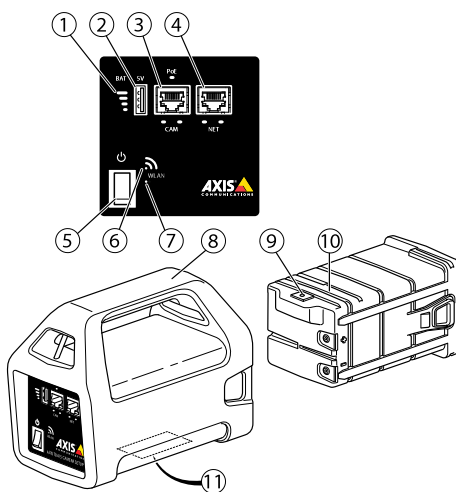
Per ulteriori informazioni sull'utilizzo del dispositivo, consultare la guida per l'utente disponibile all'indirizzo www.axis.com

Contenuto della confezione

- Unità principale
- Caricabatterie
- Batteria
- Cinghia
- Materiali stampati
 - Guida all'installazione (questo documento)

IT

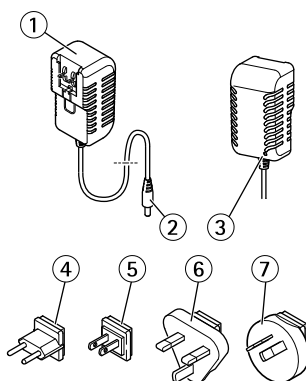
Panoramica dell'hardware



- 1 *Indicatore della batteria*
- 2 *Porta di ricarica USB (non dati)*
- 3 *RJ45 PoE (CAM)*

AXIS T8415 Wireless Installation Tool

- 4 RJ45 non PoE (NET)
- 5 Interruttore accensione/spengimento
- 6 Indicatore WLAN
- 7 Pulsante di ripristino
- 8 Unità principale
- 9 Connettore del caricabatterie
- 10 Batteria
- 11 Etichetta (impostazioni di rete)



- 1 Caricabatterie
- 2 Connettore maschio del caricabatterie
- 3 LED del caricabatterie
- 4 Spina di alimentazione (EU)
- 5 Spina di alimentazione (USA)
- 6 Spina di alimentazione (UK)
- 7 Spina di alimentazione (AU)

Connettore di rete

Connettore Ethernet RJ45.

Connettore Ethernet RJ45 con Power over Ethernet Plus (PoE+).

AWISO

A causa di normative locali o condizioni ambientali ed elettriche in cui il prodotto deve essere utilizzato, può essere opportuno o necessario l'utilizzo di un cavo di rete schermato (STP). Tutti i cavi di rete del dispositivo posizionati all'aperto o in ambienti elettrici in condizioni difficili sono destinati al loro uso specifico. Accertarsi che i dispositivi di rete siano installati secondo le istruzioni del produttore. Per maggiori informazioni sui requisiti normativi, consultare *Electromagnetic compatibility (EMC) on page 4*.

Connettore USB

AXIS T8415 è dotato di un connettore USB (non dati). Questo connettore può essere utilizzato per ricaricare qualsiasi dispositivo portatile compatibile (5V, 2,1A).

Nota

- AXIS T8415 deve essere acceso quando si ricarica un dispositivo portatile.
- La ricarica di un dispositivo portatile influisce sulla batteria dell'unità. Quando raggiunge un livello minimo critico l'unità smette di ricaricare il dispositivo portatile. Consultare *Panoramica dell'hardware alla pagina 61* Indicatore della batteria per lo stato della batteria. Per continuare a caricare, sostituire la batteria con una appena ricaricata, vedere *Cambiare la batteria alla pagina 67*.

Interfaccia Web di AXIS T8415

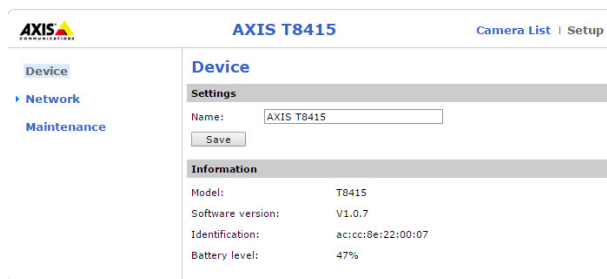
IT

Nell'interfaccia Web di AXIS T8415 è possibile modificare le impostazioni di rete e aggiornare il firmware.

Accedere all'interfaccia Web digitando l'indirizzo IP delle unità in un browser. L'indirizzo IP si trova sull'etichetta dell'unità principale.

Nota

- Le schermate effettive potrebbero cambiare con i gli aggiornamenti del firmware.
- AXIS T8415 ha due indirizzi IP. Uno per la connessione tramite WiFi e uno per la connessione tramite rete cablata.



- Name (Nome): nome dell'unità, può essere modificato.

Network (Rete) - Wifi Interface (Interfaccia Wifi)

The screenshot shows the 'AXIS T8415' web interface. On the left is a navigation menu with 'Device', 'Network' (expanded), 'Wifi Interface' (selected), 'Wired Network', and 'Maintenance'. The main content area is titled 'Wifi Interface' and contains an 'Interface Configuration' section. The configuration fields are: Address (10.252.252.1), Subnet mask (255.255.255.0), Gateway (10.252.252.1), SSID (AXIS_220007), WPA password (password), Mode (radio buttons for 2.4GHz and 5GHz, with 5GHz selected), and Channel (radio buttons for 36, 40, and 44, with 40 selected). A 'Save' button is at the bottom.

- Address (Indirizzo): indirizzo IP dell'unità.
- Subnet mask: subnet mask dell'unità.
- Gateway: gateway predefinito dell'unità.
- SSID: nome della rete wireless, può essere modificato.
- WPA password (Password WPA): password della rete wireless, può essere modificata.
- Mode (Modalità): impostare la modalità di frequenza per la rete wireless. Selezionare 2,4GHz o 5GHz.
- Channel (Canale): impostare il canale per la rete wireless.

Nota

- Il SSID e la password predefiniti si trovano sull'etichetta dell'unità principale. Se vengono modificati nell'interfaccia Web, l'etichetta non è più valida.
- AXIS T8415 supporta 2,4GHz e 5GHz.
- I canali possono variare a seconda del paese.

Network (Rete) - Wired Network (Rete cablata)

The screenshot shows the 'Wired Network' configuration page for an AXIS T8415 camera. The left sidebar contains a navigation menu with 'Device', 'Network' (expanded), 'Wifi Interface', 'Wired Network', and 'Maintenance'. The main content area is titled 'Wired Network' and includes the following sections:

- External DHCP Server:** 'Server detected: No (Reboot device to rescan)'. There is a 'Save' button.
- Onboard DHCP Server:** Radio buttons for 'Server On' and 'Server Off' (selected). There is a 'Save' button.
- Ethernet Ports:** 'Port 1: Connected' and 'Port 2 (POE): Connected, powered'.
- Interface Configuration:** Radio buttons for 'Obtain an IP address via DHCP' and 'Assign a static IP address' (selected). Below are input fields for 'Address: 10.253.253.253', 'Subnet mask: 255.255.255.0', and 'Gateway: 10.253.253.253'. There is a 'Save' button.

IT

- External DHCP Server (Server DHCP esterno): rilevamento di un server DHCP esterno.
- Onboard DHCP Server (Server DHCP su scheda):
 - On (Acceso): server DHCP interno acceso
 - Off (Spento): server DHCP interno spento
- Ethernet Ports (Porte Ethernet): stato delle porte Ethernet.
 - Connected (Connesso): telecamera/portatile connesso alla porta ethernet
 - Unconnected (Non connesso): telecamera/portatile non connesso alla porta ethernet
- Interface Configuration (Configurazione interfaccia): impostare l'indirizzo IP manualmente o ottenere l'indirizzo IP dal server DHCP.
- Address (Indirizzo): indirizzo IP dell'unità.
- Subnet mask: subnet mask dell'unità.
- Gateway: gateway predefinito dell'unità.

Manutenzione

The screenshot shows the 'Maintenance' configuration page for an AXIS T8415 camera. The left sidebar contains a navigation menu with 'Device', 'Network', and 'Maintenance' (selected). The main content area is titled 'Maintenance' and includes the following section:

- Firmware Upgrade:** 'Upgrade the device with the latest firmware.' Below is a 'Specify the firmware to upgrade to:' field with a 'Choose Files' button and the text 'No file chosen (To select multiple files, hold down the CTRL key while clicking on each file.)' and a 'Save' button.
- Note:** 'Do not disconnect power to the device or refresh this page during the upgrade. The device restarts automatically after the upgrade has completed. (1-7 minutes.)'

AXIS T8415 Wireless Installation Tool

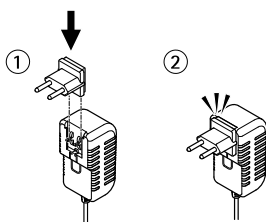
Aggiornare il firmware per AXIS T8415.

Nota

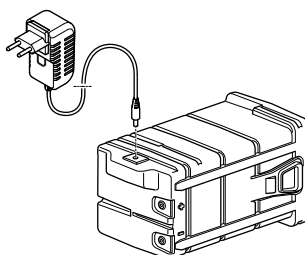
Il firmware più recente è disponibile all'indirizzo www.axis.com

Caricare la batteria

Collegare il cavo di alimentazione specifico del paese al caricabatterie. Vedere l'illustrazione seguente.



Collegare il caricabatteria alla batteria (vedere l'immagine seguente) e alla presa di corrente.



LED	Stato
Rosso	Caricamento della batteria
Verde	Caricamento della batteria completato

Nota

Il LED del caricabatterie si trova sul lato anteriore del caricabatterie, vedere *Panoramica dell'hardware alla pagina 61*

AWISO

- A causa delle caratteristiche di scaricamento automatico di questo tipo di batteria, è imperativo che la batteria venga carica entro 6 mesi dall'immagazzinamento, altrimenti può verificarsi una perdita permanente della capacità a causa della solfatazione.

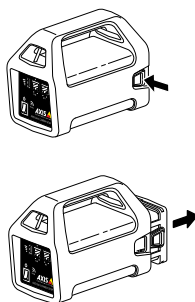
- Utilizzare solo il caricabatterie fornito.

⚠ATTENZIONE

Non caricare o scaricare una batteria in un contenitore ermeticamente chiuso. Le batterie generano una miscela di gas internamente. In presenza di determinate circostanze, ad esempio un sovraccarico intenso o un corto circuito della batteria, questi gas possono sfogare nel contenitore e creare i presupposti di un'esplosione se innescata da una scintilla.

Cambiare la batteria

Per informazioni su come cambiare la batteria, fare riferimento all'immagine seguente.



⚠ATTENZIONE

- Non gettare mai le batterie nel fuoco in quanto possono provocare esplosioni o generare gas tossici.
- Non tentare di smontare la batteria in quanto si potrebbero causare perdite di acido solforico che può provocare lesioni.
- Se la batteria viene smontata la garanzia è nulla.

AVVISO

Smaltire le batterie usate in base alle normative locali o alle istruzioni del produttore della batteria.

Preparazione all'installazione

Con AXIS T8415 Wireless Installation Tool è possibile eseguire l'installazione della telecamera con un computer o un dispositivo portatile. Per ottimizzare le prestazioni si consiglia di utilizzare un dispositivo portatile e l'applicazione AXIS Wireless Installation Tool.

AXIS T8415 Wireless Installation Tool

- Assicurarsi di caricare completamente la batteria prima dell'utilizzo. Consultare *Caricare la batteria alla pagina 66*
- Quando si utilizza l'applicazione AXIS Wireless Installation Tool, assicurarsi di scaricarla in un dispositivo portatile prima della connessione alla rete WiFi di AXIS T8415.
- Assicurarsi che l'alimentazione sia attiva prima di collegare la telecamera all'unità principale.

Nota

L'applicazione AXIS Wireless Installation Tool può essere scaricata da App Store o Google Play.

Eseguire la connessione alla rete WiFi di AXIS T8415

Dispositivo portatile

1. Accendere il WiFi del dispositivo portatile.
2. Selezionare il SSID dell'unità.
3. Immettere la password

Computer portatile

1. Accendere il WiFi del computer.
2. Selezionare il SSID dell'unità.
3. Immettere la password

Importante

Assicurarsi che il computer sia configurato in modo da ottenere un indirizzo IP da un server DHCP.

Nota

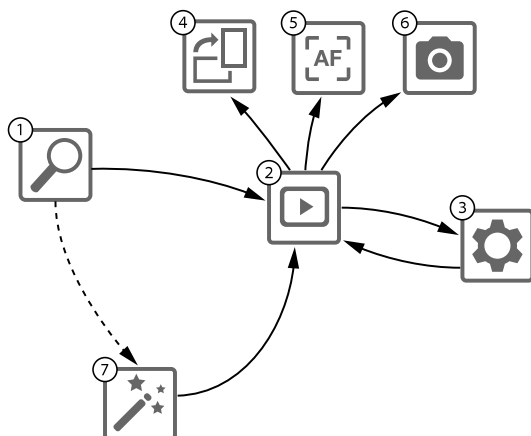
Il SSID e la password predefiniti sono stampati sull'etichetta dell'unità principale.

Installazione della telecamera – Applicazione AXIS Wireless Installation Tool

1. Collegare la telecamera alla porta CAM (PoE) sull'unità principale.
2. Verificare che l'indicatore PoE sia acceso.
3. Eseguire la connessione a AXIS T8415 WiFi, vedere *Eseguire la connessione alla rete WiFi di AXIS T8415 alla pagina 68*
4. Avviare l'applicazione AXIS Wireless Installation Tool

Nota

Il tempo di avvio della telecamera varia a seconda del dispositivo. Potrebbero trascorrere alcuni minuti prima che la telecamera sia visibile nell'elenco delle telecamere dell'applicazione.



- 1 Camera List (Elenco delle telecamere)
- 2 Live view (Immagini dal vivo)
- 3 Settings (Impostazioni)
- 4 Rotate image (Ruota immagine)
- 5 Autofocus (Messa a fuoco automatica)
- 6 Snapshot (Istantanea)
- 7 Wizard (Procedura guidata)

Per configurare una telecamera

Selezionare la telecamera in **1 Camera List (Elenco delle telecamere)**. Se richiesto, digitare la password per continuare.

In **2 Live view (Immagini dal vivo)** è possibile accedere ai pulsanti di azione (**4, 5 e 6**) tenendoli premuti sullo schermo.

Selezionare **4 Rotate image (Ruota immagine)** per ruotare l'immagine.

Selezionare **5 Autofocus (Messa a fuoco automatica)** per eseguire la ricerca della messa a fuoco ideale.

Nota

- La messa a fuoco automatica è disponibile solo se la telecamera supporta tale funzionalità.
- La messa a fuoco automatica può durare alcuni minuti durante i quali è importante che la telecamera resti immobile.

Selezionare **6 Snapshot (Istantanea)** per acquisire un'istantanea dell'immagine video.

Selezionare **3 Settings (Impostazioni)** per modificare le impostazioni di rete del dispositivo.

AXIS T8415 Wireless Installation Tool

Numero 7 Wizard (**Procedura guidata**). La procedura guidata viene avviata la prima volta che si accede a un dispositivo Axis o dopo la reimpostazione delle impostazioni predefinite di fabbrica.

Nota

Le informazioni sulle impostazioni della **procedura guidata** sono disponibili nella Guida per l'utente del dispositivo all'indirizzo www.axis.com

Nota

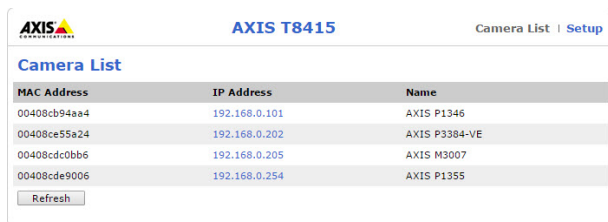
Per ulteriori informazioni sulle impostazioni della telecamera per un dispositivo Axis, consultare la Guida per l'utente del dispositivo disponibile sul sito Web www.axis.com

Installazione della telecamera – Computer portatile

1. Collegare la telecamera alla porta CAM (PoE) sull'unità principale.
2. Verificare che l'indicatore PoE sia acceso.
3. Collegare il computer portatile alla porta NET (non PoE) sull'unità principale.
4. Passare all'interfaccia Web e premere **Camera List (Elenco delle telecamere)**

Nota

Vedere *Interfaccia Web di AXIS T8415 alla pagina 63* per informazioni su come accedere all'interfaccia Web di AXIS T8415



MAC Address	IP Address	Name
00408cb94aa4	192.168.0.101	AXIS P1346
00408ce55a24	192.168.0.202	AXIS P3384-VE
00408cdc0bb6	192.168.0.205	AXIS M3007
00408cde9006	192.168.0.254	AXIS P1355

5. Selezionare la telecamera facendo clic sull'indirizzo IP.
6. La telecamera selezionata viene visualizzata in un browser.

Nota

- Per ulteriori informazioni sulle impostazioni della telecamera per un dispositivo Axis, consultare la Guida per l'utente del dispositivo disponibile sul sito Web www.axis.com
- Il tempo di avvio della telecamera varia a seconda del dispositivo. Potrebbero trascorrere alcuni minuti prima che la telecamera sia visibile nell'elenco delle telecamere dell'interfaccia Web.

Risoluzione dei problemi

- Impossibile trovare il SSID.
 - Verificare che l'indicatore WLAN sia acceso.

- Selezionare un canale differente.
- Assicurarsi che il dispositivo portatile supporti la modalità a 5GHz, in caso contrario passare alla modalità a 2,4GHz su AXIS T8415.
- **Nessuna telecamera nell'elenco delle telecamere dell'applicazione**
 - Verificare che l'indicatore WLAN sia acceso.
 - Il tempo di avvio della telecamera varia a seconda del dispositivo. Potrebbero trascorrere alcuni minuti prima che la telecamera sia visibile nell'elenco. Premere Refresh (Aggiorna) per aggiornare la pagina dell'elenco delle telecamere.
 - Assicurarsi che Bonjour sia attivato sul dispositivo Axis.
 - Assicurarsi che la telecamera non abbia un indirizzo IP compreso nell'intervallo 10.252.252.X
- **Impossibile accedere all'interfaccia Web di AXIS T8415 quando si utilizza un cavo di rete e un PC.**
 - Assicurarsi che il cavo di rete sia collegato alla porta corretta (NET).
- **Nessuna telecamera nell'elenco delle telecamere (interfaccia Web), quando si utilizza un computer portatile per l'installazione.**
 - Assicurarsi che i cavi di rete siano collegati alle porte corrette:
CAM: collegare alla telecamera
NET: collegare al computer portatile
 - Assicurarsi che la telecamera e AXIS T8415 siano nello stesso intervallo di indirizzi IP.
 - Assicurarsi che AXIS T8415 sia utilizzato come gateway predefinito.
 - Assicurarsi che la telecamera non abbia un indirizzo IP compreso nell'intervallo 10.252.252.X
- **Bassa velocità fps nell'immagine quando si utilizza l'applicazione.**
 - Controllare l'indicatore WLAN sul dispositivo portatile per l'intensità del segnale.
 - Assicurarsi che la rete wireless sia impostata su 5GHz
 - Selezionare un canale differente.

Il seguente elenco si applica quando si tenta di individuare una telecamera non Axis con il supporto Onvif.

- **La telecamera è impostata sull'indirizzo IP dinamico ma non è presente un server DHCP nella rete.**
 - Attivare il server DHCP in AXIS T8415.
- **La telecamera è impostata sull'indirizzo IP dinamico ed è presente un server DHCP nella rete.**
 - Configurare AXIS T8415 per l'indirizzo IP dinamico.
- **La telecamera ha un indirizzo IP fisso.**

AXIS T8415 Wireless Installation Tool

- Configurare AXIS T8415 in modo che abbia l'indirizzo IP nello stesso intervallo della telecamera.

Ripristinare i valori predefiniti di fabbrica

Importante

- Il ripristino delle impostazioni di fabbrica deve essere usato con cautela. Un ripristino delle impostazioni di fabbrica consentirà di ripristinare le impostazioni di fabbrica per tutti i parametri.
- Assicurarsi che l'indicatore WLAN sia sempre acceso prima di eseguire un ripristino di fabbrica.

Per ripristinare il dispositivo alle impostazioni predefinite di fabbrica:

1. Tenere premuto il pulsante di ripristino per circa 10 secondi.
2. AXIS T8415 viene riavviato con tutti i valori reimpostati sui valori predefiniti di fabbrica.

Nota

Consultare *Panoramica dell'hardware alla pagina 61* per l'ubicazione del pulsante di ripristino.

Informazioni sulla garanzia

Per informazioni sulla garanzia del dispositivo Axis e informazioni ad esso relative, consultare la pagina axis.com/warranty/

Información de seguridad

Niveles de peligro

▲PELIGRO

Indica una situación peligrosa que, si no se evita, provocará lesiones graves o la muerte.

▲ADVERTENCIA

Indica una situación peligrosa que, si no se evita, puede provocar lesiones graves o la muerte.

▲ATENCIÓN

Indica una situación peligrosa que, si no se evita, puede provocar lesiones moderadas o leves.

AVISO

Indica una situación peligrosa que, si no se evita, puede provocar daños materiales.

ES

Otros niveles de mensaje

Importante

Indica información importante que es fundamental para que el producto funcione correctamente.

Nota

Indica información útil que ayuda a aprovechar el producto al máximo.

Instrucciones de seguridad

AVISO

- Este producto de Axis debe utilizarse de conformidad con las leyes y normativas locales.
- Axis recomienda utilizar un cable de red blindado (STP).
- Almacene el producto de Axis en un entorno seco y ventilado.
- Evite la exposición del producto de Axis a choques o a una fuerte presión.
- Evite la exposición del producto de Axis a vibraciones.
- Utilice solo las herramientas correspondientes cuando instale el producto de Axis. La aplicación de una fuerza excesiva con herramientas eléctricas puede provocar daños en el producto.
- No utilice limpiadores en aerosol, agentes cáusticos ni productos químicos.
- Limpie con un paño limpio humedecido con agua pura.
- Utilice solo accesorios que cumplan con las especificaciones técnicas de su producto. Estos accesorios los puede proporcionar Axis o un tercero. Axis recomienda utilizar un equipo de suministro de alimentación de Axis compatible con su producto.
- Utilice solo piezas de repuesto proporcionadas o recomendadas por Axis.
- No intente reparar el producto usted mismo. Póngase en contacto con el servicio de asistencia técnica de Axis o con su distribuidor de Axis para tratar asuntos de reparación.

Batería de ácido-plomo

Este producto de Axis utiliza una batería de ácido-plomo como fuente de alimentación.

AVISO

- A causa de las características de autodescarga de este tipo de baterías, es muy importante cargarlas antes de que se cumplan los seis meses de almacenamiento; en caso contrario, podrían perder capacidad de forma permanente como resultado de la sulfatación.
- Utilice únicamente el cargador proporcionado.

⚠ATENCIÓN

Nunca cargue ni descargue una batería en una carcasa herméticamente sellada. Las baterías generan una mezcla de gases internamente. Bajo determinadas circunstancias, como una sobrecarga extrema o un cortocircuito de la batería, estos gases podrían descargarse en la carcasa y generar el potencial para una explosión si se prenden con una chispa.

⚠ATENCIÓN

- Nunca deseche las baterías en el fuego, ya que podrían explotar o generar gas tóxico.
- No intente desmontar las baterías, ya que es posible que se produzcan fugas de ácido sulfúrico que podrían causar lesiones.

AVISO

Deseche las baterías usadas en conformidad con la normativa local o las instrucciones del fabricante.

Guía de instalación

Esta guía de instalación incluye instrucciones para instalar la AXIS T8415 Wireless Installation Tool. La herramienta de instalación se puede usar tanto en portátiles como a través de una aplicación para la instalación de cámaras. Para conseguir un rendimiento y una experiencia óptimos, se recomienda utilizar la aplicación.

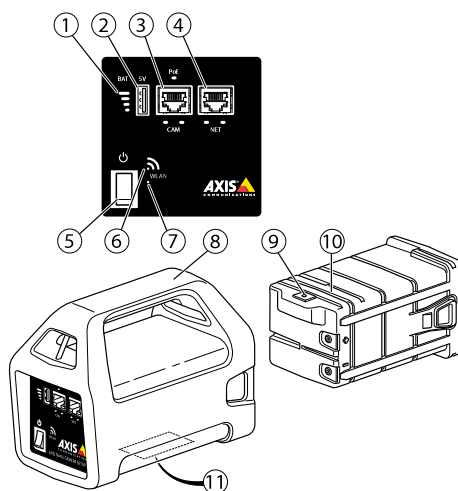
Para conocer otros aspectos de uso del producto, vea el manual del usuario disponible en www.axis.com.

Contenido del paquete

- Unidad principal
- Cargador
- Batería
- Correa
- Materiales impresos
 - Guía de instalación (este documento)

ES

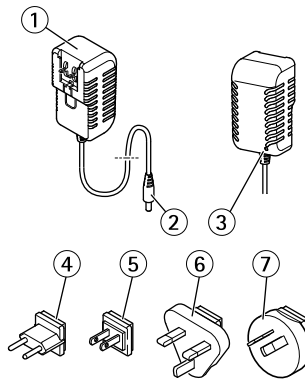
Información general del hardware



- 1 *Indicador de la batería*
- 2 *Puerto de carga USB (no lleva datos)*
- 3 *RJ45 PoE (CAM)*

AXIS T8415 Wireless Installation Tool

- 4 RJ45 no PoE (NET)
- 5 Interruptor de encendido/apagado
- 6 Indicador WLAN
- 7 Botón de restablecimiento
- 8 Unidad principal
- 9 Conector del cargador de la batería
- 10 Batería
- 11 Etiqueta (configuración de la red)



- 1 Cargador
- 2 Conector macho del cargador
- 3 LED del cargador
- 4 Enchufe del cable de alimentación (UE)
- 5 Enchufe del cable de alimentación (EE. UU.)
- 6 Enchufe del cable de alimentación (RU)
- 7 Enchufe del cable de alimentación (AU)

Conector de red

Conector Ethernet RJ45.

Conector Ethernet RJ45 con alimentación a través de Ethernet Plus (PoE+).

AVISO

Debido a la normativa local o a las condiciones ambientales y eléctricas en las que se vaya a utilizar el producto, puede que sea adecuado u obligatorio el uso de un cable de red blindado (STP). Todos los cables que conectan el producto a la red y que se utilicen en exteriores o en entornos eléctricos exigentes deberán estar blindados y diseñados para su uso específico. Asegúrese de que los dispositivos de red estén instalados de conformidad con las instrucciones del fabricante. Para obtener información sobre los requisitos normativos, vea *Electromagnetic compatibility (EMC) on page 4*.

Conector USB

La AXIS T8415 está equipada con un conector USB (sin datos). Este conector puede utilizarse para cargar cualquier dispositivo manual compatible (5 V, 2,1 A).

Nota

- La AXIS T8415 debe estar encendida al cargar un dispositivo manual.
- La carga de dispositivos manuales influye en la batería de las unidades. Cuando llegue a un nivel críticamente bajo, el dispositivo manual dejará de cargarse. Vea el *Información general del hardware en la página 77* indicador de la batería para conocer el estado de la batería. Si desea continuar con la carga, sustituya la batería por una nueva que esté cargada. Vea *Cambio de la batería en la página 83*.

Interfaz web de AXIS T8415

En la interfaz web de AXIS T8415 es posible editar la configuración de la red y actualizar el firmware.

Para acceder a la interfaz web, escriba la dirección IP de las unidades en un navegador. La dirección IP se encuentra en la etiqueta de la unidad principal.

Nota

- Las capturas de pantalla reales pueden cambiar tras la aparición de nuevas versiones de firmware.
- La AXIS T8415 tiene dos direcciones IP: una para la conexión mediante wifi y otra para la conexión por cable a la red.



- Name (Nombre): el nombre de la unidad (se puede cambiar).

Red - Interfaz wifi

AXIS T8415 Wireless Installation Tool

The screenshot shows the 'Wifi Interface' configuration page for an AXIS T8415 camera. The page is titled 'AXIS T8415' and 'Camera List | Setup'. On the left, there is a navigation menu with 'Device', 'Network', 'Wifi Interface', 'Wired Network', and 'Maintenance'. The main content area is titled 'Wifi Interface' and contains an 'Interface Configuration' section. The configuration fields are: Address (10.252.252.1), Subnet mask (255.255.255.0), Gateway (10.252.252.1), SSID (AXIS_220007), and WPA password (password). There are radio buttons for Mode (2.4GHz and 5GHz) and Channel (36, 40, 44). A 'Save' button is located at the bottom of the configuration area.

- Address (Dirección): la dirección IP de la unidad.
- Subnet mask (Máscara de subred): la máscara de subred de la unidad.
- Gateway (Puerta de enlace): la puerta de enlace predeterminada de la unidad.
- SSID: el nombre de la red inalámbrica (se puede cambiar).
- WPA password (Contraseña WPA): la contraseña de la red inalámbrica (se puede cambiar).
- Mode (Modo): modo de frecuencia establecido para la red inalámbrica. Seleccione 2.4 GHz o 5 GHz.
- Channel (Canal): canal establecido para la red inalámbrica.

Nota

- El SSID y la contraseña predeterminados se encuentran en la etiqueta de la unidad principal. Si se cambian en la interfaz web, la etiqueta dejará de ser válida.
- La AXIS T8415 admite 2,4 GHz y 5 GHz.
- Los canales pueden variar según el país.

Red - Conexión por cable

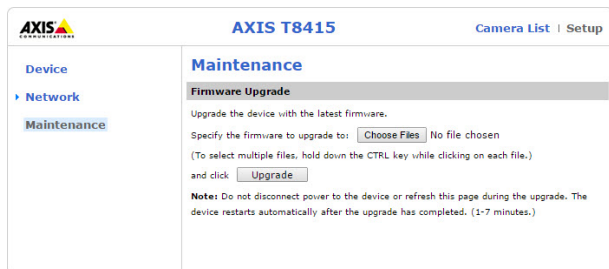
The screenshot shows the 'Wired Network' configuration page for an AXIS T8415 camera. The page is divided into several sections:

- External DHCP Server:** Shows 'Server detected: No' with a note '(Reboot device to rescan)'. There is a 'Save' button below.
- Onboard DHCP Server:** Features two radio buttons: 'Server On' (unselected) and 'Server Off' (selected). There is a 'Save' button below.
- Ethernet Ports:** Displays the status of two ports: 'Port 1: Connected' and 'Port 2 (POE): Connected, powered'.
- Interface Configuration:** Offers two options: 'Obtain an IP address via DHCP' (unselected) and 'Assign a static IP address' (selected). Below this, there are three input fields: 'Address: 10.253.253.253', 'Subnet mask: 255.255.255.0', and 'Gateway: 10.253.253.253'. A 'Save' button is located at the bottom.

ES

- External DHCP Server (Servidor DHCP externo): detección de un servidor DHCP externo.
- Onboard DHCP Server (Servidor DHCP integrado):
 - On (Encendido): el servidor DHCP interno está encendido.
 - Off (Apagado): el servidor DHCP interno está apagado.
- Ethernet Ports (Puertos Ethernet): estado de los puertos Ethernet:
 - Connected (Conectado): la cámara o el portátil están conectados al puerto Ethernet.
 - Unconnected (Desconectado): no hay ninguna cámara o portátil conectados al puerto Ethernet.
- Interface Configuration (Configuración de la interfaz): dirección IP establecida manualmente u obtenida de un servidor DHCP.
- Address (Dirección): la dirección IP de la unidad.
- Subnet mask (Máscara de subred): la máscara de subred de la unidad.
- Gateway (Puerta de enlace): la puerta de enlace predeterminada de la unidad.

Mantenimiento



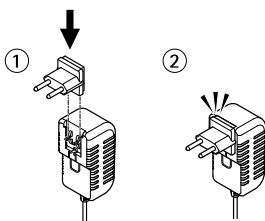
Actualice el firmware de AXIS T8415.

Nota

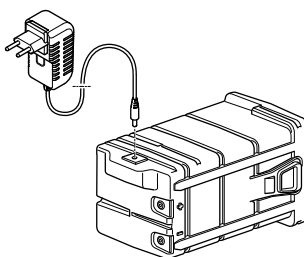
El firmware más reciente se encuentra en www.axis.com

Carga de la batería

Conecte el enchufe del cable de alimentación específico del país al cargador. Vea la siguiente imagen.



Conecte el cargador a la batería (vea la siguiente imagen) y a la toma de corriente.



LED	Comportamiento
Rojo	Batería cargando
Verde	Batería totalmente cargada

Nota

El LED del cargador se encuentra en la parte delantera del cargador. Vea *Información general del hardware en la página 77*

AVISO

- A causa de las características de autodescarga de este tipo de baterías, es muy importante cargarlas antes de que se cumplan los seis meses de almacenamiento; en caso contrario, podrían perder capacidad de forma permanente como resultado de la sulfatación.
- Utilice únicamente el cargador proporcionado.

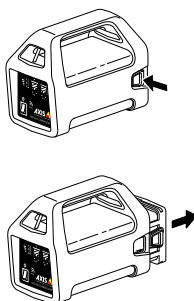
⚠ATENCIÓN

Nunca cargue ni descargue una batería en una carcasa herméticamente sellada. Las baterías generan una mezcla de gases internamente. Bajo determinadas circunstancias, como una sobrecarga extrema o un cortocircuito de la batería, estos gases podrían descargarse en la carcasa y generar el potencial para una explosión si se prenden con una chispa.

ES

Cambio de la batería

Vea la siguiente imagen para obtener información sobre cómo cambiar la batería.



⚠ATENCIÓN

- Nunca deseche las baterías en el fuego, ya que podrían explotar o generar gas tóxico.

AXIS T8415 Wireless Installation Tool

- No intente desmontar las baterías, ya que es posible que se produzcan fugas de ácido sulfúrico que podrían causar lesiones.
- Si se desmonta la batería, se anula la garantía.

AVISO

Deseche las baterías usadas en conformidad con la normativa local o las instrucciones del fabricante.

Preparativos para la instalación

Con la AXIS T8415 Wireless Installation Tool, puede instalar cámaras con un portátil o un dispositivo manual. Es recomendable utilizar un dispositivo manual y la aplicación AXIS Wireless Installation Tool para conseguir un rendimiento óptimo.

- Asegúrese de que la batería esté totalmente cargada antes de utilizarla. Vea *Carga de la batería en la página 82*.
- Si va a utilizar la AXIS Wireless Installation Tool, asegúrese de descargarla en el dispositivo manual antes de conectarse a la red wifi de AXIS T8415.
- Asegúrese de que la alimentación esté encendida antes de conectar la cámara a la unidad principal.

Nota

Puede descargar la AXIS Wireless Installation Tool desde App Store o Google Play.

Conexión a wifi de AXIS T8415

Dispositivo de mano

1. Active la wifi en el dispositivo manual.
2. Seleccione el SSID de la unidad.
3. Introduzca la contraseña.

Portátil

1. Active la wifi en el ordenador.
2. Seleccione el SSID de la unidad.
3. Introduzca la contraseña.

Importante

Asegúrese de que el ordenador esté configurado para obtener una dirección IP de un servidor DHCP.

Nota

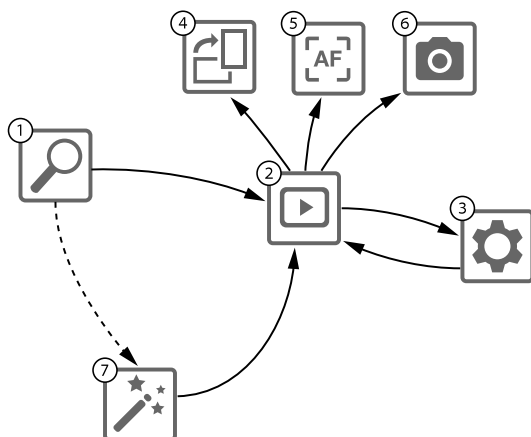
El SSID y la contraseña predeterminados están impresos en la etiqueta de la unidad principal.

Instalación de la cámara: aplicación AXIS Wireless Installation Tool

1. Conecte la cámara al puerto CAM (PoE) de la unidad principal.
2. Compruebe que el indicador PoE esté encendido.
3. Conecte la opción wifi de AXIS T8415. Vea *Conexión a wifi de AXIS T8415 en la página 84*
4. Inicie la aplicación AXIS Wireless Installation Tool.

Nota

El tiempo de arranque necesario para las cámaras varía en cada producto. Pueden pasar varios minutos antes de que la cámara aparezca en la lista de cámaras de la aplicación.



- 1 *Lista de cámaras*
- 2 *Vista en directo*
- 3 *Configuración*
- 4 *Girar imagen*
- 5 *Enfoque automático*
- 6 *Captura*
- 7 *Asistente*

Para configurar una cámara

Seleccione una cámara en 1 **Lista de cámaras**. En caso necesario, escriba la contraseña para continuar.

En 2 **Vista en directo**, puede acceder a los botones de acción (4, 5 y 6) manteniéndolos pulsados en la pantalla.

Seleccione 4 **Girar imagen** para girar la imagen.

Seleccione 5 **Enfoque automático** para buscar el punto de enfoque ideal.

AXIS T8415 Wireless Installation Tool

Nota

- El enfoque automático solo estará disponible si la cámara admite esta funcionalidad.
- El enfoque automático puede tardar unos minutos en realizarse (es importante que la cámara permanezca inmóvil durante este tiempo).

Seleccione **6 Captura** para tomar una captura de la imagen de vídeo.

Seleccione **3 Configuración** para editar la configuración de red del producto.

El número **7** es el **Asistente**. Este asistente se inicia la primera vez que se accede a un producto de Axis o tras restablecer los valores predeterminados de fábrica.

Nota

La información sobre la configuración del **Asistente** se encuentra en el manual del usuario de los productos, disponible en www.axis.com

Nota

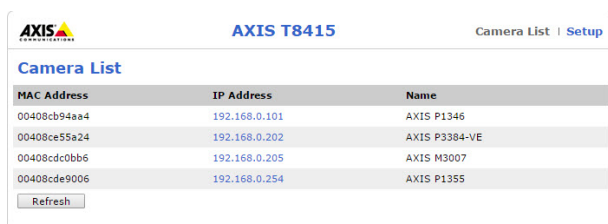
Para obtener más información sobre la configuración de la cámara del producto de Axis correspondiente, vea el manual del usuario, disponible en www.axis.com.

Instalación de la cámara: portátil

1. Conecte la cámara al puerto CAM (PoE) de la unidad principal.
2. Compruebe que el indicador PoE esté encendido.
3. Conecte el portátil al puerto NET (no PoE) de la unidad principal.
4. Vaya a la interfaz web y pulse **Lista de cámaras**.

Nota

Vea *Interfaz web de AXIS T8415 en la página 79* para obtener información sobre cómo acceder a la interfaz web de AXIS T8415.



MAC Address	IP Address	Name
00408cb94aa4	192.168.0.101	AXIS P1346
00408ce55a24	192.168.0.202	AXIS P3384-VE
00408cdc0bb6	192.168.0.205	AXIS M3007
00408cde9006	192.168.0.254	AXIS P1355

5. Seleccione una cámara haciendo clic en la dirección IP.
6. La cámara seleccionada se abrirá en un navegador.

Nota

- Para obtener más información sobre la configuración de la cámara del producto de Axis correspondiente, vea el manual del usuario, disponible en www.axis.com.

- El tiempo de arranque necesario para las cámaras varía en cada producto. Pueden pasar varios minutos antes de que la cámara aparezca en la lista de cámaras de la interfaz web.

Solución de problemas

- **No se encuentra el SSID.**
 - Compruebe que el indicador WLAN esté encendido.
 - Seleccione un canal diferente.
 - Asegúrese de que el dispositivo manual sea compatible con el modo 5 GHz; en caso contrario, cambie al modo 2.4 GHz en la AXIS T8415.
- **No hay ninguna cámara en la lista de cámaras de la aplicación.**
 - Compruebe que el indicador WLAN esté encendido.
 - El tiempo de arranque necesario para las cámaras varía en cada producto. Pueden pasar varios minutos antes de que aparezca la cámara. Pulse Refresh (Actualizar) para actualizar la página Camera list (Lista de cámaras).
 - Asegúrese de que Bonjour esté activado en el producto de Axis.
 - Asegúrese de que la dirección IP de la cámara no se encuentre en el rango 10.252.252.X
- **No se puede iniciar sesión en la interfaz web de AXIS T8415 si se utiliza un cable de red y un ordenador.**
 - Asegúrese de que el cable de red esté conectado al puerto correcto (NET).
- **No hay ninguna cámara en Camera List (Lista de cámaras) (interfaz web) al utilizar un portátil para la instalación.**
 - Asegúrese de que los cables de red estén conectados a los puertos correctos:
CAM: conectado a la cámara.
NET: conectado al portátil.
 - Asegúrese de que la cámara y la AXIS T8415 estén en el mismo intervalo de direcciones IP.
 - Asegúrese de que se utilice AXIS T8415 como puerta de enlace predeterminada.
 - Asegúrese de que la dirección IP de la cámara no se encuentre en el rango 10.252.252.X
- **Pocas imágenes por segundo en la imagen al utilizar la aplicación.**
 - Observe el indicador WLAN en el dispositivo manual para comprobar la intensidad de la señal.
 - Asegúrese de que la red inalámbrica esté establecida en 5GHz.
 - Seleccione un canal diferente.

La siguiente lista se aplica si se intenta detectar una cámara de otro fabricante distinto de Axis compatible con Onvif.

AXIS T8415 Wireless Installation Tool

- La cámara está establecida en una dirección IP dinámica, pero no hay ningún servidor DHCP en la red.
 - Active el servidor DHCP integrado en AXIS T8415.
- La cámara está establecida en una dirección IP dinámica y hay un servidor DHCP en la red.
 - Configure la AXIS T8415 para que utilice una dirección IP dinámica.
- La cámara cuenta con una dirección IP fija.
 - Configure la AXIS T8415 para que su dirección IP se encuentre en el mismo intervalo que el de la cámara.

Restablecimiento de los valores predeterminados de fábrica

Importante

- Es preciso tener cuidado si se va a restablecer la configuración predeterminada de fábrica. Todos los valores se restablecerán a la configuración predeterminada de fábrica.
- Asegúrese de que el indicador WLAN esté encendido de forma continua antes de restablecer los valores de fábrica.

Para restablecer el producto a la configuración predeterminada de fábrica:

1. Mantenga pulsado el botón de restablecimiento durante diez segundos.
2. La AXIS T8415 se reiniciará con todos los valores restablecidos a los valores predeterminados de fábrica.

Nota

Vea *Información general del hardware en la página 77* para obtener información sobre cómo localizar el botón de restablecimiento.

Información de garantía

Para obtener más detalles sobre la garantía del producto Axis y la información relacionada con ella, visite axis.com/warranty.

安全情報

危険レベル

▲危険

回避しない場合、死亡または重傷につながる危険な状態を示します。

▲警告

回避しない場合、死亡または重傷につながるおそれのある危険な状態を示します。

▲注意

回避しない場合、軽傷または中程度の怪我につながるおそれのある危険な状態を示します。

注記

回避しない場合、器物の破損につながるおそれのある状態を示します。

その他のメッセージレベル

重要

製品を正しく機能させるために不可欠な重要情報を示します。

注意

製品を最大限に活用するために役立つ有用な情報を示します。

安全手順

注記

- 本製品は、お使いになる地域の法律や規制に準拠して使用してください。
- Axisは、シールドネットワークケーブル (STP) の使用を推奨します。
- 本製品は乾燥した換気のよい環境に保管してください。
- 本製品に衝撃または強い圧力を加えないでください。
- 本製品に振動を加えないでください。
- 本製品を設置する際には、適切な工具のみを使用してください。電動工具を使用して過剰な力をかけると、製品が損傷することがあります。
- 化学薬品、腐食剤、噴霧式クリーナーは使用しないでください。
- 清掃には、きれいな水に浸した清潔な布を使用してください。
- 製品の技術仕様に準拠したアクセサリのみを使用してください。これらのアクセサリは、Axisまたはサードパーティから入手できます。Axisは、ご使用の製品と互換性のあるAxis給電ネットワークスイッチの使用を推奨します。
- Axisが提供または推奨する交換部品のみを使用してください。
- 製品を自分で修理しないでください。修理については、Axisサポートまたは販売代理店にお問い合わせください。

鉛酸バッテリー

本製品は、電源に鉛酸バッテリーを使用しています。

注記

- このタイプのバッテリーは自己放電特性を有しているため、6か月以内に充電を行う必要があります。そのようにしないと、硫酸化により電池容量が永続的に失われる可能性があります。
- 付属のチャージャーのみを使用してください。

▲注意

密閉容器内でのバッテリーの充電または放電は絶対に行わないでください。バッテリーの内部では混合ガスが生成されます。過充電やバッテリーのショートなど一定の状況が重なると、これらのガスが容器内に放出され、火花による着火時に爆発を引き起こす可能性があります。

▲注意

- 爆発したり有害ガスを生成したりする恐れがあるため、バッテリーを絶対に火気のある場所に廃棄しないでください。
- 負傷の原因となる硫酸が漏洩する可能性があるため、バッテリーの分解は行わないでください。

注記

使用済みバッテリーは、地域の規制またはバッテリーメーカーの指示に従って廃棄してください。

インストールガイド

このインストールガイドでは、AXIS T8415 Wireless Installatin Toolをインストールする手順について説明します。このインストールツールでは、ノートPCおよびカメラのインストール用アプリの使用に対応しています。最高のパフォーマンスと経験を得るために、アプリを使用することをお勧めします。

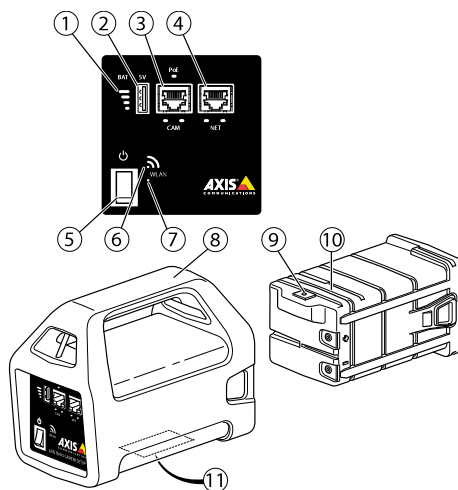
製品の使用の詳細については、www.axis.comで入手できるユーザーズマニュアルを参照してください

パッケージの内容

- メインユニット
- チャージャー
- バッテリー
- ストラップ
- 印刷物
 - インストールガイド (本書)

JA

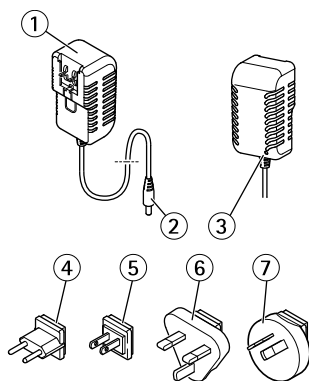
ハードウェアの概要



- 1 バッテリーインジケーター
- 2 USB充電ポート (データ転送不可)
- 3 RJ45 PoE CAM(カメラ側)

AXIS T8415 Wireless Installation Tool

- 4 RJ45 PoE非対応 NET(ネットワーク側)
- 5 オン/オフスイッチ
- 6 WLANインジケータ
- 7 リセットボタン
- 8 メインユニット
- 9 バッテリーチャージャーコネクタ
- 10 バッテリー
- 11 ラベル(ネットワーク設定)



- 1 チャージャー
- 2 チャージャー(オスコネクタ)
- 3 チャージャーLED
- 4 電源コードプラグ(EU)
- 5 電源コードプラグ(日本/米国)
- 6 電源コードプラグ(英国)
- 7 電源コードプラグ(オーストラリア)

ネットワークコネクタ

RJ45イーサネットコネクタ。

RJ45イーサネットコネクタ、Power over Ethernet Plus (PoE+) 対応。

注記

本製品を使用する場所の地域条例、環境、電気的条件によっては、シールドネットワークケーブル (STP) の使用が推奨または必須になります。本製品をネットワークに接続して屋外または電氣的に厳しい環境に配線する場合は、用途に合ったネットワークケーブルを使用してください。ネットワーク装置がメーカーの指示どおりに設置されていることを確認します。法的要件については、*Electromagnetic compatibility (EMC) on page 4*を参照してください。

USBコネクタ

AXIS T8415にはUSBコネクタ（データ転送不可）が搭載されています。このコネクタを使用して、互換性のある携帯型デバイス（5 V、2.1 A）を充電することができます。

注意

- 携帯型デバイスを充電する場合は、AXIS T8415の電源をオンにする必要があります。
- 携帯型デバイスの充電はユニットのバッテリーに影響します。バッテリーの残量が非常に低いレベルに到達すると、携帯型デバイスを充電しなくなります。バッテリーの状態については、93ページの、ハードウェアの概要バッテリーインジケータを参照してください。充電を継続するには、新しく充電されたバッテリーと交換します。99ページの、バッテリーを交換するを参照してください。

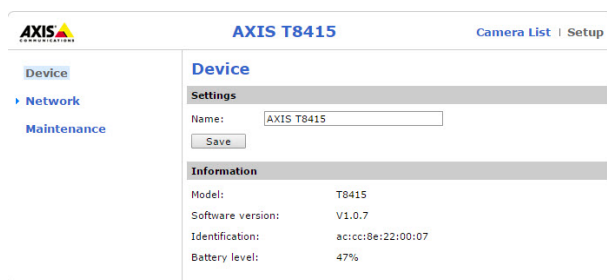
AXIS T8415 Webインターフェース

AXIS T8415 Webインターフェースでは、ネットワーク設定の編集とファームウェアのアップグレードが可能です。

ブラウザにユニットのIPアドレスを入力して、Webインターフェースにアクセスします。IPアドレスはメインユニットのラベルで確認することができます。

注意

- 実際のスクリーンショットは、新しいファームウェアのリリースによって変更される場合があります。
- AXIS T8415には2つのIPアドレスがあります。1つはWiFi経由の接続用で、もう1つは有線ネットワーク経由の接続用です。



- 名前: ユニットの名前は変更することができます。

ネットワーク - Wifi インターフェース

AXIS T8415 Camera List | Setup

Device

Network

Wifi Interface

Wired Network

Maintenance

Wifi Interface

Interface Configuration

Address: 10.252.252.1

Subnet mask: 255.255.255.0

Gateway: 10.252.252.1

SSID:

WPA password:

Mode: 2.4GHz 5GHz

Channel: 36 40 44

- Address (アドレス): ユニットのIPアドレスです。
- Subnet mask (サブネットマスク): ユニットのサブネットマスクです。
- Gateway (ゲートウェイ): ユニットのデフォルトゲートウェイです。
- SSID: ワイヤレスネットワークの名前は変更することができます。
- WPA password (WPAパスワード): ワイヤレスネットワークのパスワードは変更することができます。
- Mode (モード): ワイヤレスネットワークの周波数モードを設定します。2.4 GHzか5 GHzのどちらかを選択します。注: 5GHzは屋内専用です。屋外で使用する場合は2.4GHzを選択してください。
- チャンネルは国によって異なる場合があります。5GHzは屋内のみでお使いください。屋外で作業する場合は2.4GHzのみお使いいただけます。

注意

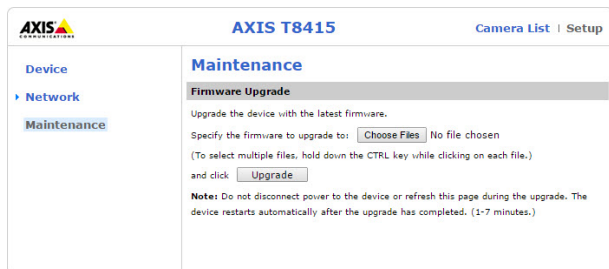
- デフォルトのSSIDおよびパスワードは、メインユニットにあるラベルで確認することができます。Webインターフェースで変更する場合、ラベルは無効になります。
- AXIS T8415は、2.4 GHzと5 GHzの両方をサポートしています。
- チャンネルは国によって異なる場合があります。

ネットワーク - 有線ネットワーク

The screenshot shows the 'AXIS T8415' configuration page. On the left is a navigation menu with 'Device', 'Network' (expanded to show 'Wifi Interface', 'Wired Network', and 'Maintenance'), and 'Maintenance'. The main content area is titled 'Wired Network' and contains three sections: 'External DHCP Server' (Server detected: No), 'Onboard DHCP Server' (Server On/Off radio buttons), and 'Ethernet Ports' (Port 1: Connected, Port 2 (POE): Connected, powered). Below these is the 'Interface Configuration' section with radio buttons for 'Obtain an IP address via DHCP' and 'Assign a static IP address'. The static IP fields are filled with: Address: 10.253.253.253, Subnet mask: 255.255.255.0, and Gateway: 10.253.253.253. A 'Save' button is at the bottom.

- External DHCP Server (外部DHCPサーバー): 外部DHCPサーバーの検出状況です。
- Onboard DHCP Server (オンボードDHCPサーバー):
 - On (オン): 内部DHCPサーバーをオンにします
 - Off (オフ): 内部DHCPサーバーをオフにします
- Ethernet Ports (イーサネットポート): イーサネットポートのステータスを表示します。
 - Connected (接続): カメラ/ノートPCがイーサネットポートに接続されています
 - Unconnected (未接続): カメラ/ノートPCがイーサネットポートに接続されていません
- Interface Configuration (インターフェースの設定): IPアドレスを手動で設定するか、DHCPサーバーからIPアドレスを取得します。
- Address (アドレス): ユニットのIPアドレスです。
- Subnet mask (サブネットマスク): ユニットのサブネットマスクです。
- Gateway (ゲートウェイ): ユニットのデフォルトゲートウェイです。

メンテナンス



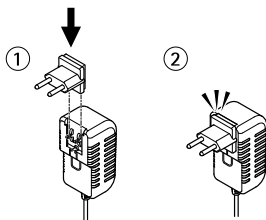
AXIS T8415のファームウェアをアップグレードします。

注意

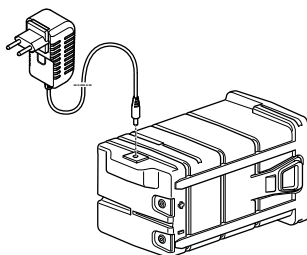
最新のファームウェアは www.axis.com で入手できます

バッテリーを充電する

各国ごとの電源コードプラグをチャージャーに取り付けます。下の図を参照してください。



バッテリーチャージャーをバッテリーに取り付け(下の図を参照)、コンセントに接続します。



LED	挙動
赤	バッテリー充電中
緑	バッテリー充電完了

注意

チャージャーLEDは、チャージャーの正面にあります (93ページの、ハードウェアの概要を参照)

注記

- このタイプのバッテリーは自己放電特性を有しているため、6か月以内に充電を行う必要があります。そのようにしないと、硫酸化により電池容量が永続的に失われる可能性があります。
- 付属のチャージャーのみを使用してください。

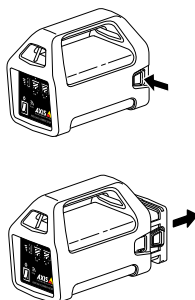
▲注意

密閉容器内でのバッテリーの充電または放電は絶対に行わないでください。バッテリーの内部では混合ガスが生成されます。過充電やバッテリーのショートなど一定の状況が重なると、これらのガスが容器内に放出され、火花による着火時に爆発を引き起こす可能性があります。

JA

バッテリーを交換する

バッテリーの交換については、下の図を参照してください。



▲注意

- 爆発したり有害ガスを生成したりする恐れがあるため、バッテリーを絶対に火気のある場所に廃棄しないでください。

AXIS T8415 Wireless Installation Tool

- 負傷の原因となる硫酸が漏洩する可能性があるため、バッテリーの分解は行わないでください。
- バッテリーを分解すると、保証の対象外となります。

注記

使用済みバッテリーは、地域の規制またはバッテリーメーカーの指示に従って廃棄してください。

インストールの準備

AXIS T8415 Wireless Installatin Toolを使用すれば、携帯型デバイスやノートPCでカメラをインストールすることができます。最高のパフォーマンスを得るために、携帯型デバイスとAXIS Wireless Installatin Toolアプリを使用することをお勧めします。

- 使用前にバッテリーが完全に充電されていることを確認します。98ページの、バッテリーを充電するを参照してください
- AXIS Wireless Installatin Toolアプリを使用する場合は、AXIS T8415 WiFiネットワークに接続する前にアプリを携帯型デバイスにダウンロードするようにしてください。
- カメラをメインユニットに接続する前に、電源がオンになっていることを確認します。

注意

AXIS Wireless Installatin Toolは、App StoreまたはGoogle Playからダウンロードできます。

AXIS T8415 WiFiに接続する

携帯型デバイス

1. 携帯型デバイスのWiFiをオンにします。
2. ユニットのSSIDを選択します。
3. パスワードを入力します

ノートPC

1. コンピューターのWiFiをオンにします。
2. ユニットのSSIDを選択します。
3. パスワードを入力します

重要

コンピューターがDHCPからIPアドレスを取得するよう設定されていることを確認します。

注意

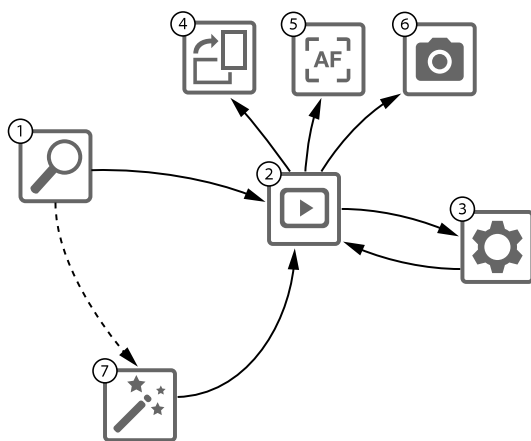
デフォルトのSSIDおよびパスワードは、メインユニットのラベルに印刷されています。

カメラの設置 - AXIS Wireless Installatin Toolアプリ

1. カメラをメインユニットのCAMポート (PoE) に接続します。
2. PoEインジケーターが点灯していることを確認します。
3. AXIS T8415 WiFiに接続します (100ページの、AXIS T8415 WiFiに接続するを参照)
4. AXIS Wireless Installatin Toolアプリを起動します

注意

カメラの起動時間は製品によって異なります。カメラがアプリのカメラリストに表示されるまで数分かかる場合があります。



- 1 カメラリスト
- 2 ライブビュー
- 3 設定
- 4 画像を回転
- 5 オートフォーカス
- 6 スナップショット
- 7 ウィザード

カメラを設定するには

- 1 **カメラリスト**でカメラを選択します。必要に応じて、続行するためにパスワードを入力します。
 - 2 **ライブビュー**では、画面を押し続けることでアクションボタン(4、5、および6)にアクセスできます。
- 画像を回転させるには、**4 画像を回転**を選択します。

AXIS T8415 Wireless Installation Tool

理想的なフォーカスポイントを検索するには、**5 オートフォーカス**を選択します。

注意

- オートフォーカスは、カメラがこの機能をサポートしている場合にのみ利用できます。
- オートフォーカスの実行には数分かかる場合があります。この時間中はカメラを動かさないようにすることが重要です。

ビデオ画像のスナップショットを撮るには、**6 スナップショット**を選択します。

製品のネットワーク設定を編集するには、**3 設定**を選択します。

7番目は**ウィザード**です。このウィザードは、初めてAxis製品にアクセスしたとき、または工場出荷時の設定へのリセットを行った後に開始します。

注意

ウィザードの設定については、www.axis.comで入手できる製品のユーザーズマニュアルを参照してください

注意

各Axis製品のカメラ設定の詳細については、www.axis.comで入手できる製品のユーザーズマニュアルを参照してください

カメラの設置 - ノートPC

1. カメラをメインユニットのCAMポート (PoE) に接続します。
2. PoEインジケーターが点灯していることを確認します。
3. ノートPCをメインユニットのNETポート (PoE非対応) に接続します。
4. Webインターフェースに移動して、**[Camera List] (カメラリスト)**を押します。

注意

AXIS T8415 Webインターフェースにアクセスする方法については、95ページの、*AXIS T8415 Webインターフェース*を参照してください

MAC Address	IP Address	Name
00408cb94aa4	192.168.0.101	AXIS P1346
00408ce55a24	192.168.0.202	AXIS P3384-VE
00408cdc0bb6	192.168.0.205	AXIS M3007
00408cde9006	192.168.0.254	AXIS P1355

5. IPアドレスをクリックしてカメラを選択します。
6. 選択したカメラがブラウザで開きます。

注意

- 各Axis製品のカメラ設定の詳細については、www.axis.comで入手できる製品のユーザーズマニュアルを参照してください
- カメラの起動時間は製品によって異なります。カメラがWebインターフェースのカメラリストに表示されるまで数分かかる場合があります。

トラブルシューティング

- **SSIDが見つかりません。**
 - WLANインジケーターが点灯していることを確認します。
 - 別のチャンネルを選択します。
 - 携帯型デバイスが5 GHzモードに対応していることを確認します。対応していない場合は、AXIS T8415で2.4 GHzモードに切り替えます。
- **アプリのカメラリストにカメラが表示されません**
 - WLANインジケーターが点灯していることを確認します。
 - カメラの起動時間は製品によって異なります。カメラが表示されるまで数分かかる場合があります。[Refresh] (更新) を押して、[Camera List] (カメラリスト) ページを更新します。
 - 本製品でBonjourが有効になっていることを確認します。
 - カメラのIPアドレスが10.252.252.Xの範囲になっていないことを確認します。
- **ネットワークケーブルとPCを使用すると、AXIS T8415 Webインターフェースにログインできません。**
 - ネットワークケーブルが適切なポート (NET) に接続されていることを確認します。
- **インストールにノートPCを使用する際、カメラリスト (Webインターフェース) にカメラが表示されません。**
 - ネットワークケーブルが適切なポートに接続されていることを確認します。
CAM: カメラに接続
NET: ノートPCに接続
 - カメラとAXIS T8415のIPアドレスが同じ範囲になっていることを確認します。
 - AXIS T8415がデフォルトゲートウェイとして使用されていることを確認します。
 - カメラのIPアドレスが10.252.252.Xの範囲になっていないことを確認します。
- **アプリを使用すると、画像のフレーム/秒が低下します。**
 - 携帯型デバイスのWLANインジケーターで信号強度を確認します。

AXIS T8415 Wireless Installation Tool

- ワイヤレスネットワークが5 GHzに設定されていることを確認します。
- 別のチャンネルを選択します。

以下のリストは、ONVIF対応の社外製カメラを発見する際に適用されます。

- **カメラは動的IPアドレスに設定されていますが、ネットワーク上にDHCPサーバーがありません。**
 - AXIS T8415でオンボードDHCPサーバーをアクティブにします。
- **カメラが動的IPアドレスに設定されており、ネットワーク上にDHCPサーバーがあります。**
 - AXIS T8415で動的IPアドレスを設定します。
- **カメラに固定IPアドレスがあります。**
 - IPアドレスがカメラと同じ範囲になるようにAXIS T8415を設定します。

工場出荷時の設定にリセットする

重要

- 工場出荷時の設定へのリセットは慎重に行ってください。工場出荷時の設定へのリセットを行うと、すべての設定が工場出荷時の値にリセットされます。
- 工場出荷時の設定へのリセットを実行する前に、WLANインジケータが点灯し続けていることを確認します。

本製品を工場出荷時の設定にリセットするには、以下の手順を実行します。

1. リセットボタンを10秒間押し続けます。
2. AXIS T8415が再起動し、すべての値が工場出荷時の設定にリセットされま

注意

リセットボタンの位置については、93ページの、ハードウェアの概要を参照してください。

保証情報

Axisの製品保証と関連情報については、axis.com/warrantyをご覧ください

安全信息

危险等级

▲危险

表示如果不避免则会导致死亡或严重伤害的危险情况。

▲警告

表示如果不避免则可能导致死亡或严重伤害的危险情况。

▲小心

表示如果不避免则可能导致轻微或中度伤害的危险情况。

注意

表示如果不避免则可能导致财产损失的情况。

其他消息等级

重要

表示产品正常工作所必需的重要信息。

备注

表示有助于充分利用产品的有用信息。

安全说明

注意

- 使用安讯士产品时应遵守当地法律和法规。
- 安讯士推荐使用屏蔽网络电缆 (STP)。
- 在干燥通风的环境中存放安讯士产品。
- 避免将安讯士产品暴露在冲击或高压环境下。
- 避免将安讯士产品暴露在振动环境下。
- 安装安讯士产品时，仅使用适用的工具。使用电动工具过度施力可能导致产品损坏。
- 请勿使用化学品、腐蚀剂或气雾剂。
- 使用蘸纯净水的干净布进行清洁。
- 仅使用符合产品技术规格的附件。这些附件可由安讯士或第三方提供。安讯士推荐使用与产品兼容的安讯士电源设备。
- 仅使用安讯士提供或推荐的备件。
- 请勿尝试自行维修产品。有关服务事项，请联系安讯士支持部门或安讯士经销商。

铅酸电池

本安讯士产品使用铅酸电池作为电源。

注意

- 由于这种电池具有自放电特征，因此这些电池需要在存放后 6 个月内进行充电，否则硫酸盐化作用可能使电池永久失去容量。
- 仅使用随附的充电器。

小心

切勿在密封的外壳内对电池进行充电或放电。电池内部会产生混合气体。在特定情况下，如电池极度过度充电或短路，这些气体可能泄漏到外壳内，从而引发火花致爆炸的潜在风险。

小心

- 切勿将电池丢入燃火内，因为这会使电池爆炸或产生有毒气体。
- 切勿拆卸电池，因为这会导致硫酸泄漏，从而造成伤害。

注意

请按照当地法规或电池制造商的说明来处理废旧电池。

安装指南

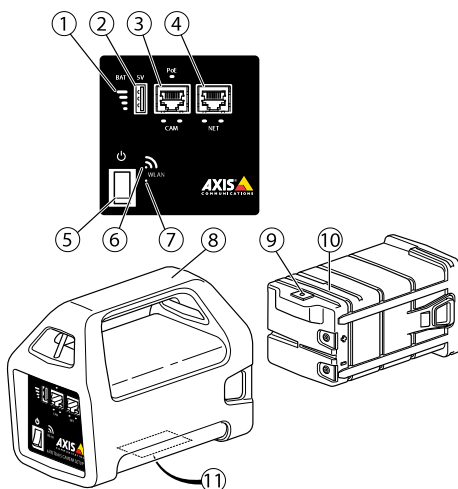
本安装指南提供了 AXIS T8415 无线安装工具的说明。本安装工具支持使用笔记本电脑和应用安装摄像机。为实现优异安装，推荐使用本应用。

有关使用该产品的其他信息，请参见用户手册，网址：www.axis.com

包装内容

- 主单元
- 充电器
- 电池
- 带
- 印刷资料
 - 安装指南（本文档）

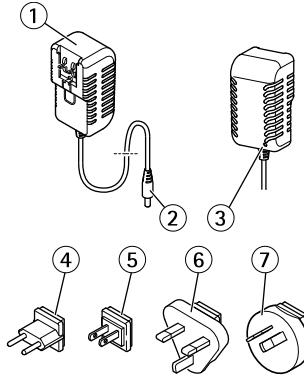
硬件概览



- 1 电池指示灯
- 2 USB 充电端口（非数据）
- 3 RJ45 PoE (CAM)
- 4 RJ45 非 PoE (NET)
- 5 通断开关
- 6 WLAN 指示灯

AXIS T8415 Wireless Installation Tool

- 7 重置按钮
- 8 主单元
- 9 电池充电器接口
- 10 电池
- 11 标签 (网络设置)



- 1 充电器
- 2 充电器公头接口
- 3 LED 充电器指示灯
- 4 电源线插头 (欧洲)
- 5 电源线插头 (美国)
- 6 电源线插头 (英国)
- 7 电源线插头 (澳大利亚)

网络连接器

RJ45 以太网连接器。

采用以太网供电 增强版 (PoE+) 的 RJ45 以太网连接器。

注意

由于当地法规或产品使用场所的环境和电气条件，可能需要使用屏蔽网络电缆 (STP)。将产品连接到网络的电缆以及在室外或恶劣电气环境中布放的电缆应专用于其特定用途。确保根据制造商的说明安装网络设备。有关法规要求的信息，请参见 *Electromagnetic compatibility (EMC) on page 4*。

USB 接口

AXIS T8415 配有 USB 接口 (非数据)。该接口可用于对不同兼容的手持设备 (5V, 2.1A) 进行充电。

备注

- 在对手持设备充电时，AXIS T8415 必须开启。
- 对手持设备充电会影响单元电池。在达到临界的低电平时，它会停止对手持设备充电，请参见 [硬件概览](#) 在第107页 电池指示灯了解电池状态。为继续充电，请使用新充电的电池替换已有电池，参见 [更换电池](#) 在第112页。

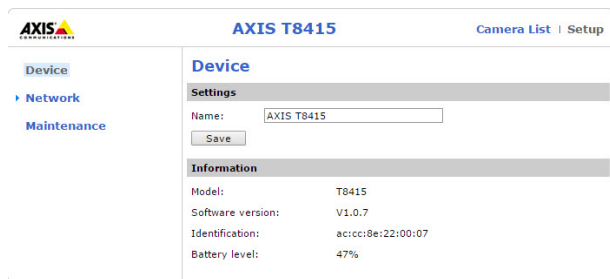
AXIS T8415 Web 界面

在 AXIS T8415 Web 界面中，可以编辑网络设置和升级固件。

在浏览器中键入单元 IP 地址，访问 Web 界面。IP 地址位于主单元的标签上。

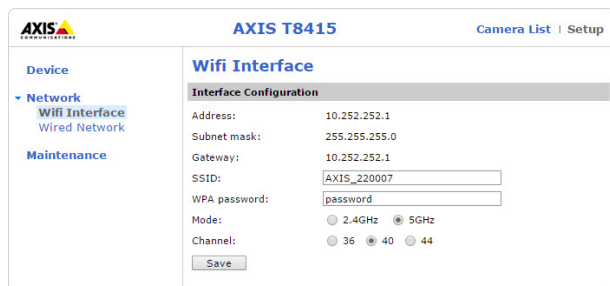
备注

- 对于新固件版本，实际屏幕截图可能变化。
- AXIS T8415 具有两个 IP 地址。一个用于通过 WiFi 连接，一个用于通过有线网络连接。



- 名称：单元名称可以修改。

网络- Wifi 界面



- 地址：单元的 IP 地址。

AXIS T8415 Wireless Installation Tool

- 子网掩码：单元的子网掩码。
- 网关：单元的默认网关。
- SSID：无线网络名称可以修改。
- WPA 密码：无线网络密码可以修改。
- 模式：设置无线网络的频率模式。选择 2.4GHz 或 5GHz。
- 通道：设置无线网络的通道。

备注

- 默认 SSID 和密码位于主单元的标签上。如果在 Web 界面中进行更改，标签不再有效。
- AXIS T8415 支持 2.4GHz 和 5GHz。
- 通道可能因国家和地区而不同。

网络 - 有线网络

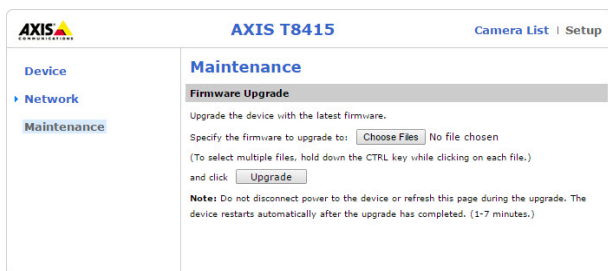
The screenshot shows the 'Wired Network' configuration page for an AXIS T8415 camera. The page is divided into several sections:

- External DHCP Server:** Shows 'Server detected: No' and a note '(Reboot device to rescan)'. There is a 'Save' button.
- Onboard DHCP Server:** Has two radio buttons: 'Server On' (selected) and 'Server Off'. There is a 'Save' button.
- Ethernet Ports:** Shows 'Port 1: Connected' and 'Port 2 (POE): Connected, powered'.
- Interface Configuration:** Has two radio buttons: 'Obtain an IP address via DHCP' and 'Assign a static IP address' (selected). Below are three input fields: 'Address: 10.253.253.253', 'Subnet mask: 255.255.255.0', and 'Gateway: 10.253.253.253'. There is a 'Save' button.

- 外部 DHCP 服务器：外部 DHCP 服务器检测。
- 板载 DHCP 服务器：
 - 开启：内部 DHCP 服务器开启
 - 关闭：内部 DHCP 服务器关闭
- 以太网端口：以太网端口状态：
 - 已连接：摄像机/笔记本电脑已连接至以太网端口
 - 未连接：摄像机/笔记本电脑未连接至以太网端口
- 界面配置：手动设置 IP 地址，或从 DHCP 服务器中获取 IP 地址。
- 地址：单元的 IP 地址。

- 子网掩码：单元的子网掩码。
- 网关：单元默认网关。

维护



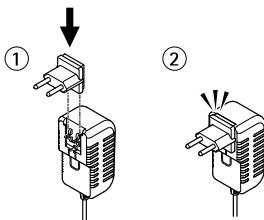
升级 AXIS T8415 的固件。

备注

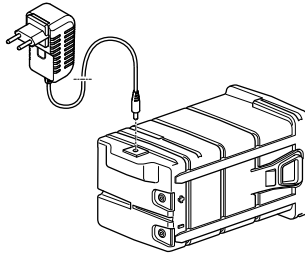
最新固件发布于 www.axis.com

为电池充电

将特定国家/地区的电源线插头连接至充电器。见下图。



将电池充电器连接至电池（见下图）和电源插座。



LED	行为
红色	电池充电中
绿色	电池充满电

备注

LED 充电器指示灯位于充电器正面，参见 *硬件概览* 在第107页

注意

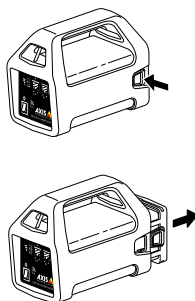
- 由于这种电池具有自放电特征，因此这些电池需要在存放后 6 个月内进行充电，否则硫酸盐化作用可能使电池永久失去容量。
- 仅使用随附的充电器。

小心

切勿在密封的外壳内对电池进行充电或放电。电池内部会产生混合气体。在特定情况下，如电池极度过度充电或短路，这些气体可能泄漏到外壳内，从而引发火花致爆炸的潜在风险。

更换电池

参见下图了解如何更换电池。



小心

- 切勿将电池丢入燃火内，因为这会使电池爆炸或产生有毒气体。
- 切勿拆卸电池，因为这会导致硫酸泄漏，从而造成伤害。
- 如果电池被拆卸，保修无效。

注意

请按照当地法规或电池制造商的说明来处理废旧电池。

ZH

安装准备

借助 AXIS T8415 无线安装工具，可使用手持设备或笔记本电脑安装摄像机。推荐使用手持设备和应用安讯士无线安装工具以实现优异安装。

- 确保电池在使用前已充满电。参见 *为电池充电* 在第111页
- 如果使用应用安讯士无线安装工具，请先确保它下载至手持设备，然后连接至 AXIS T8415 WiFi 网络。
- 确保将摄像机连接至主单元之前，电源已开启。

备注

应用安讯士无线安装工具可从 App Store 或 Google Play 中下载。

连接至 AXIS T8415 WiFi

手持设备

1. 打开手持设备上的 WiFi
2. 选择单元的 SSID。
3. 输入密码

笔记本电脑

1. 打开电脑上的 WiFi。
2. 选择单元的 SSID。
3. 输入密码

重要

确保电脑经配置可从 DHCP 服务器获取 IP 地址。

备注

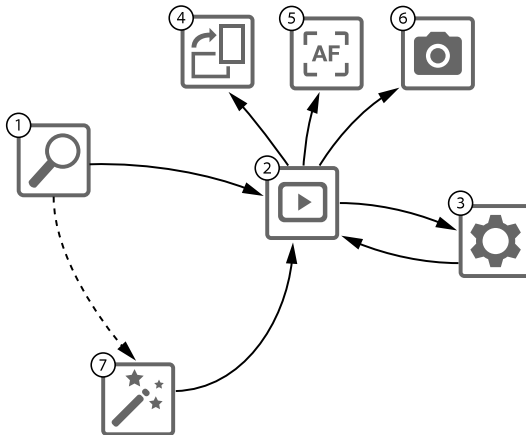
默认 SSID 和密码打印在主单元的标签上。

摄像机安装 – 安讯士无线安装工具应用

1. 将摄像机连接至主单元上的 CAM 端口 (PoE)。
2. 检查确认 PoE 指示灯已亮起。
3. 连接至 AXIS T8415 WiFi, 参见 [连接至 AXIS T8415 WiFi 在第113页](#)
4. 启动应用安讯士无线安装工具

备注

摄像机的启动时间因产品而异。摄像机显示在该应用的摄像机列表中可能需要花费几分钟时间。



- 1 摄像机列表
- 2 实时视图
- 3 设置
- 4 旋转图像
- 5 自动对焦
- 6 快照

7 向导

配置摄像机

选择 **1 摄像机列表** 中的摄像机。若需要，键入密码以继续。

在 **2 实时视图** 中，通过按住屏幕可以访问操作按钮（**4**、**5** 和 **6**）。

选择 **4 旋转图像**，旋转图像。

选择 **5 自动对焦**，搜索理想的对焦点。

备注

- 自动对焦仅用于支持该功能的摄像机。
- 自动对焦可能需要几分钟完成，在这一时间内，摄像机需要保持静止。

选择 **6 快照**，拍摄视频图像的快照。

选择 **3 设置**，编辑产品的网络设置。

编号 **7 向导**。该向导会在安讯士产品首次被访问时或出厂默认设置重置后启动。

备注

有关**向导**中设置的信息，请参见产品用户手册，网址：www.axis.com

备注

有关各安讯士产品摄像机设置的更多信息，请参见产品用户手册，网址：www.axis.com

ZH

摄像机安装 – 笔记本电脑

1. 将摄像机连接至主单元上的 CAM 端口 (PoE)。
2. 检查确认 PoE 指示灯已亮起。
3. 将笔记本电脑连接至主单元上的 NET 端口（非 PoE）。
4. 访问 Web 界面，并按下**摄像机列表**

备注

参见 *AXIS T8415 Web 界面* 在第 109 页了解如何访问 AXIS T8415 Web 界面

MAC Address	IP Address	Name
00408cb94aa4	192.168.0.101	AXIS P1346
00408ce55a24	192.168.0.202	AXIS P3384-VE
00408cdc0bb6	192.168.0.205	AXIS M3007
00408cde9006	192.168.0.254	AXIS P1355

5. 单击 IP 地址，选择摄像机。
6. 所选摄像机现在会在浏览器中打开。

备注

- 有关各安讯士产品摄像机设置的更多信息，请参见产品用户手册，网址：www.axis.com
- 摄像机的启动时间因产品而异。摄像机显示在 Web 界面的摄像机列表中可能需要花费几分钟时间。

故障排除

- **无法找到 SSID。**
 - 检查确认 WLAN 指示灯已亮起。
 - 选择不同的通道。
 - 确保手持设备支持 5GHz 模式（如果无法切换至 AXIS T8415 的 2.4GHz 模式。
- **应用摄像机列表中没有摄像机**
 - 检查确认 WLAN 指示灯已亮起。
 - 摄像机的启动时间因产品而异。摄像机显示可能需要花费几分钟时间。按下 Refresh（刷新）更新摄像机列表页面。
 - 确保该安讯士产品上的 Bonjour 激活。
 - 确保摄像机的 IP 地址不在 10.252.252.X 范围内。
- **使用网线和 PC 时无法登录 AXIS T8415 Web 界面。**
 - 确保网线连接至正确的端口 (NET)。
- **使用笔记本电脑进行安装时，摄像机列表（Web 界面）中没有摄像机。**
 - 确保网线连接至正确的端口：
CAM：连接至摄像机
NET：连接至笔记本电脑
 - 确保摄像机和 AXIS T8415 位于相同的 IP 地址范围
 - 确保 AXIS T8415 用作默认网关。
 - 确保摄像机的 IP 地址不在 10.252.252.X 范围内。
- **使用该应用时图像 fps 较低。**
 - 检查手持设备上的 WLAN 指示灯，了解信号强度。
 - 确保无线网络设置为 5GHz。
 - 选择不同的通道。

以下列表适用于发现支持 Onvif 的非安讯士摄像机。

- **摄像机设置为动态 IP 地址，但网络上没有 DHCP 服务器**
 - 激活 AXIS T8415 上的板载 DHCP 服务器。

- 摄像机设置为动态 IP 地址，而且网络上有 DHCP 服务器
 - 将 AXIS T8415 进行动态 IP 地址配置。
- 该摄像机具有固定的 IP 地址。
 - 将 AXIS T8415 配置为具有与摄像机在相同范围的 IP 地址。

重置为出厂默认设置

重要

- 重置为出厂默认设置应慎用。重置为出厂默认设置将把所有设置重置为出厂默认值。
- 确保 WLAN 指示灯在实施出厂重置前连续亮起。

要将产品重置为出厂默认设置，请执行以下操作：

1. 按住 Reset（重置）按钮 10 秒。
2. AXIS T8415 现在重启时所有值都已重置为出厂默认设置。

备注

参见 *硬件概览* 在第107页查看 Reset（重置）按钮的位置。

质保信息

有关安讯士产品质保的信息及相关信息，请转到 axis.com/warranty

