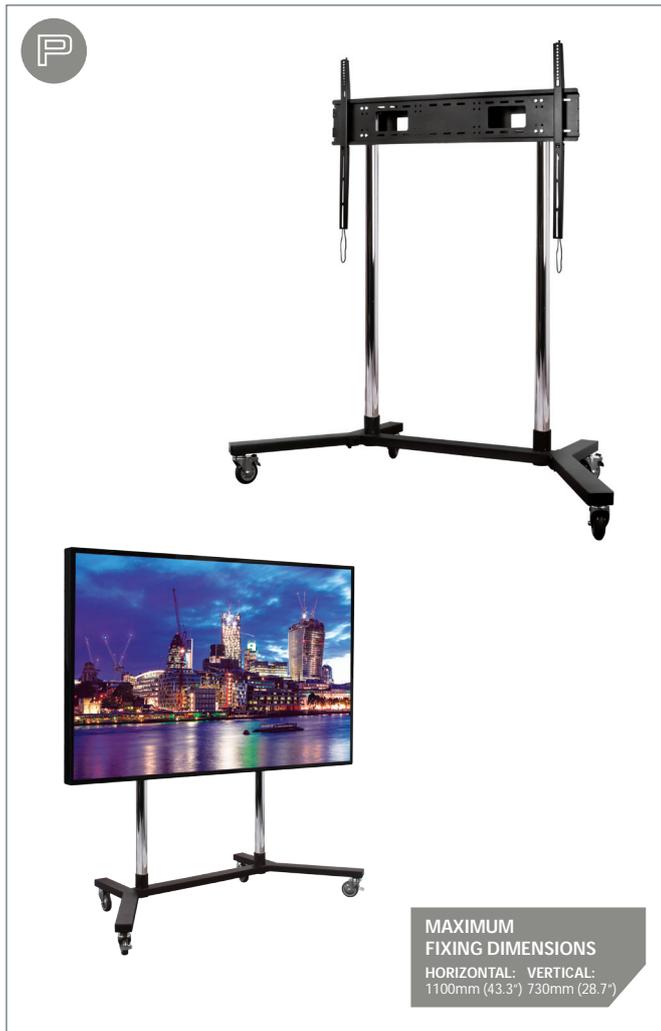


### Extra-Large Flat Screen Display Trolley / Stand

For more information please visit [www.btechavmounts.com/BT8506](http://www.btechavmounts.com/BT8506)

**BT8506**



## BT8506

### Extra-Large Flat Screen Display Trolley / Stand

Designed for extra-large screens up to 130kg (287lbs)

- Universal screen interface fits screens with VESA® and non-VESA® mounting patterns up to: **H: 1100mm (43.3") x V: 730mm (28.7")**
- Ideal for screens larger than 65" (165cm) and heavy duty touch screen displays
- Base disassembles into three pieces for easy transportation
- Interface features optional storage area for cables and accessories. Storage dimensions: **W: 720mm (28.2") x H: 160mm (6.2") x D: 90mm (3.5")**
- Adjustment screws allow screen to be levelled once mounted
- Simple 'hook-on' installation with all mounting hardware included
- Non-marking 4" locking/braked castors included
- Also supplied with optional screw-in levelling feet
- 1.5m Ø60mm poles supplied with 5 cable management holes
- Trolley Dimensions (including wheels): **W: 1650mm (64.9") x H: 1670mm (65.7") x D: 800mm (31.5")**
- Colours Available: Black Base with Chrome Poles



Base disassembles into three pieces for easy transportation



Interface features storage option area for cables and accessories.



Braked castors supplied and levelling feet supplied

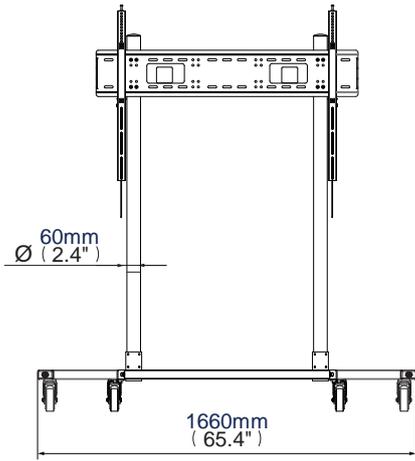


Adjustment screws allow screen to be levelled once mounted

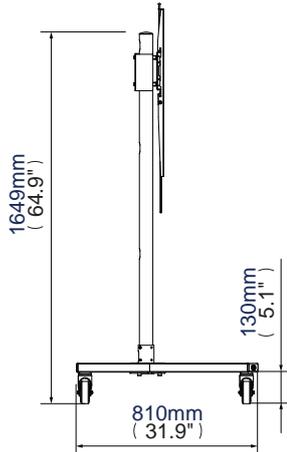
### Extra-Large Flat Screen Display Trolley / Stand

For more information please visit [www.btechavmounts.com/BT8506](http://www.btechavmounts.com/BT8506)

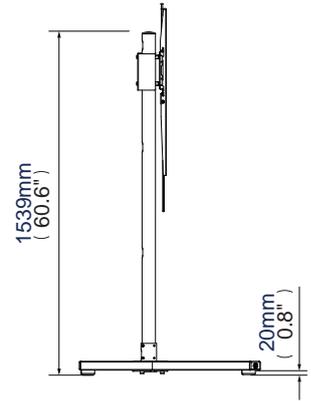
**BT8506**



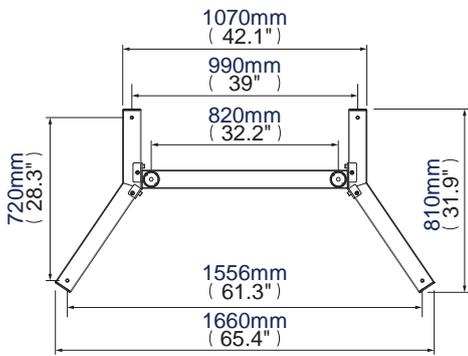
**Front View With Castors**



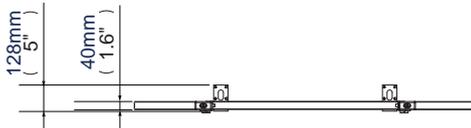
**Side View With Castors**



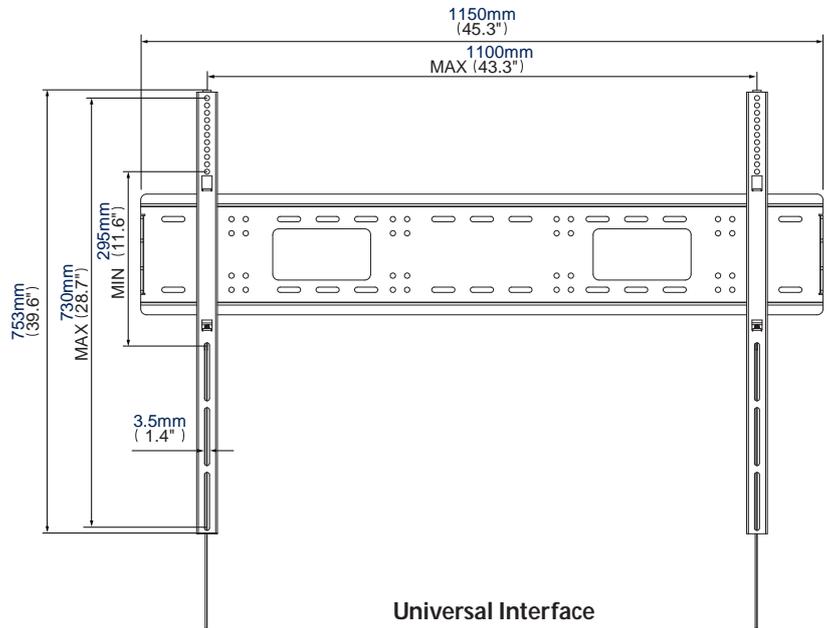
**Side View With Levelling Feet**



**Trolley Base - Top View**



**Trolley Base - Front View**



**Universal Interface**

Colour:	Order Ref:	EAN Code:	MC Qty:	IC Qty:	Master Carton Weight:	Master Carton Cube:
Black Base & Chrome Poles	BT8506/BC	5019318759451	1/1/1	0/0/0	17kg (37lbs) / 14.5kg (32lbs) / 9kg (19.9kg)	0.082cbm (2.91cuft) / 0.082cbm (2.91cuft) / 0.017cbm (0.6cuft)

*\*Please note: this product is packed into 3 boxes*

This information is intended as a guide only and reflects the current specification at the time of print. B-Tech accepts no liability for the accuracy of the information contained in this document.

© 2014 B-Tech International Ltd. All rights reserved. The information in this spec. column sheet reflects the current technical specifications at the time of print. We reserve the right to change the technical or physical specifications without prior notice. The B-Tech name, the B-Tech logo, Better by Design and Pro-Install are all registered trademarks of B-Tech International Ltd. All other brands and products are trademarks of their respective owners. All B-Tech images and symbols are exclusive property of B-Tech International Ltd. B-Tech accepts no liability for loss or damage caused by improper installation or mounting on unsuitable structures. Any reproduction or retransmission or republication of any part of this specification sheet is strictly prohibited, unless prior written permission has been granted by B-Tech International Ltd. E&OE.